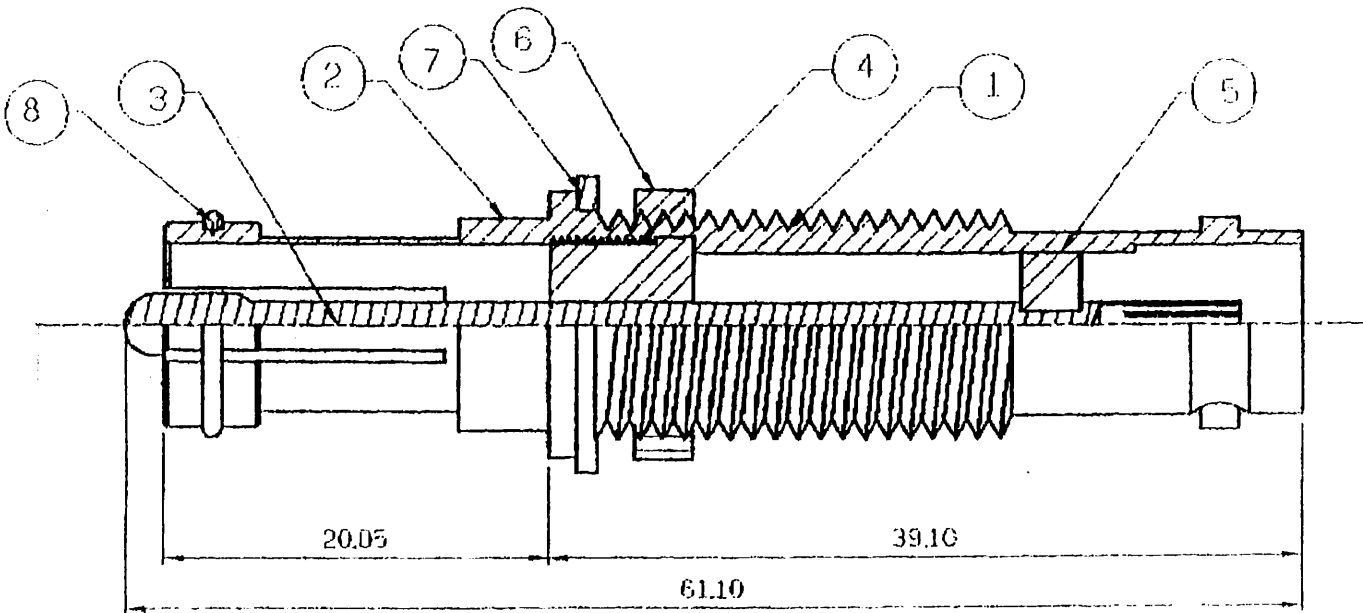


# SPECIFICATION CONTROL DRAWING

REV	DESCRIPTION	DATE	APPROVED
A1	ENGINEERING RELEASE		

THIS DRAWING CONTAINS INFORMATION PROPRIETARY TO RF INDUSTRIES, LTD. ANY UNAUTHORIZED USE OF THIS DRAWING IS EXPRESSLY PROHIBITED ANY VIOLATION IS PUNISHABLE UNDER U.S. COPYRIGHT LAWS.



**SPECIFICATIONS:**

75 OHM

DIMENSIONS ARE IN: INCHES [MILLIMETERS]  
 REMOVE ALL BURRS & BREAK ALL SHARP EDGES  
 ALL SHARP CORNERS TO BE .010 R MAX.  
 ALL DIAMETERS TO BE CONCENTRIC WITHIN .001

DIMENSIONS ARE IN INCHES OVER MILLIMETERS.	
UNLESS OTHERWISE NOTED: TOLERANCES ARE:	
DECIMALS	ANGLES
.XXX ±.005 [.13]	± 1'
DRAWN	
CHECKED	
C. JONES	
ISSUED	
J. BENZ	
APPROVALS	DATE

**RF connectors**  
 DIVISION OF RF INDUSTRIES, LTD.

7620 MIRAMAR RD  
 SAN DIEGO, CA 92126  
 (619)549-6340  
 (619)549-6345 FAX

RFB-1152  
 BNC JACK TO RCA PLUG Q/D

ITEM	DESCRIPTION	QTY	MATERIAL	FINISH
	BODY		BRASS	NICKEL
	CONTACT		BRASS	GOLD
	DIELECTRIC		TEFLON	

SIZE	CABLE GROUP	DWG NO.	REV
A	N/A		A1
SCALE:		CAD FILE	SHEET OF