

4

3

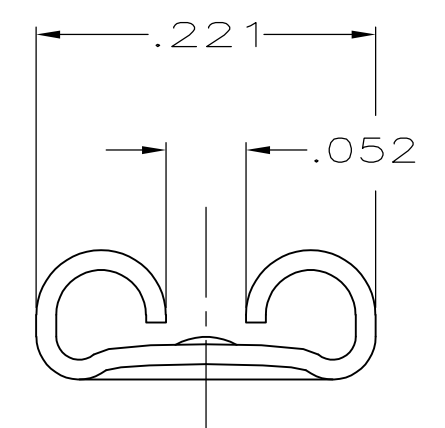
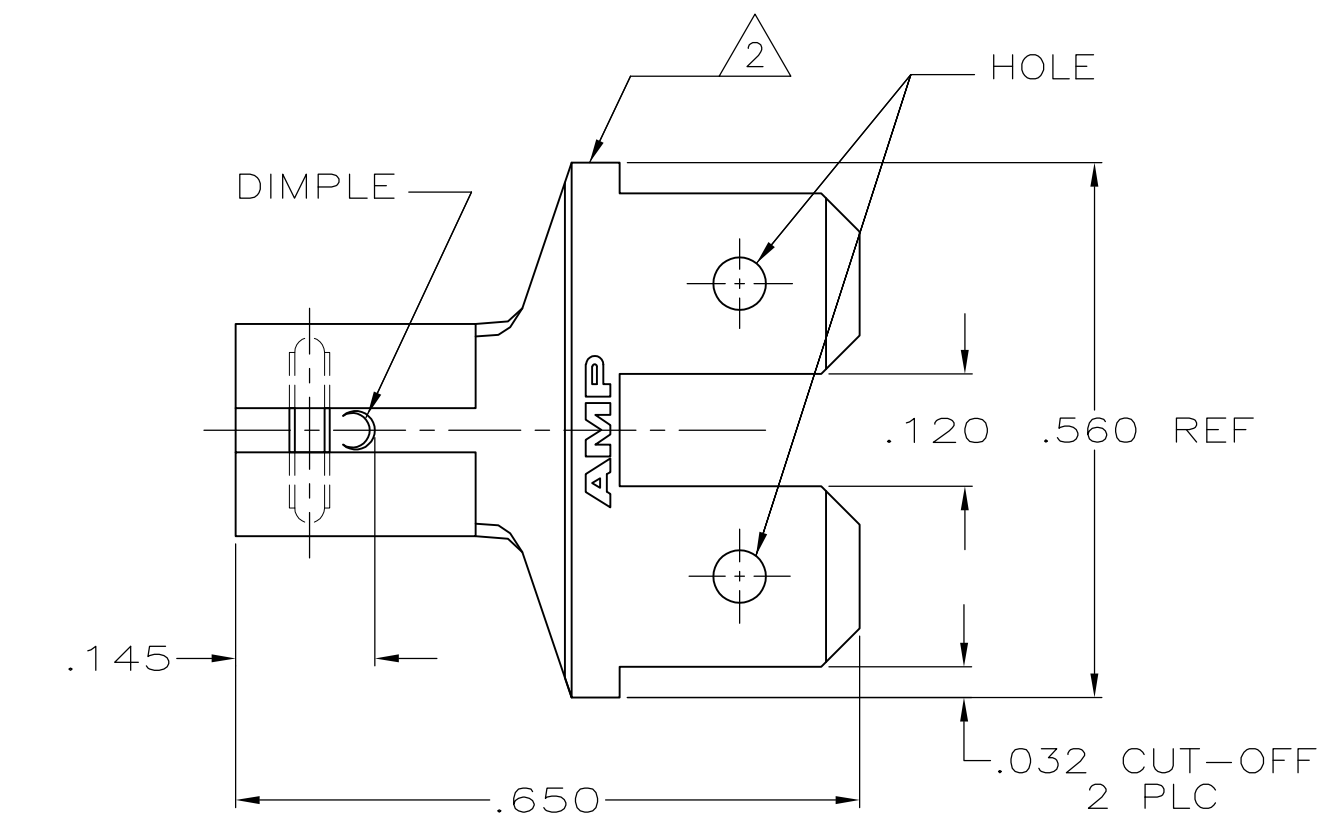
2

1

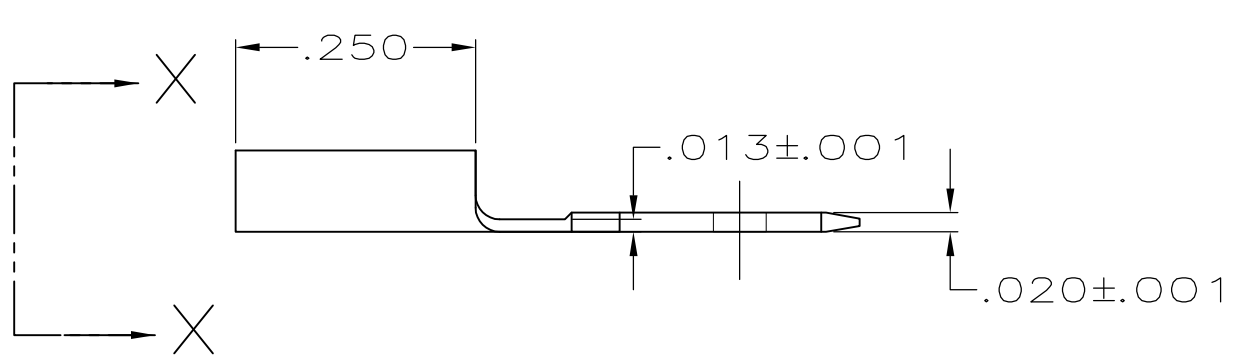
THIS DRAWING IS UNPUBLISHED. RELEASED FOR PUBLICATION
 © COPYRIGHT - By - ALL RIGHTS RESERVED.

LOC	DIST	REVISIONS			
P	LTR	DESCRIPTION	DATE	DWN	APVD
AF	50	H	REVISED PER ECR-12-013459	28NOV2012	KH PD

1 SUPPLIED IN LOOSE PIECE.
 2 BARE EDGES PERMITTED.



VIEW X-X
SCALE 8:1



OBSOLETE	.020	TIN	61045-2
		-	61045-1
	MATING TAB THK	FINISH	PART NUMBER

THIS DRAWING IS A CONTROLLED DOCUMENT.		DWN	JR RUTH	9/15/92	TE Connectivity ADAPTER, FASTON, .187 SERIES			
DIMENSIONS: INCHES		CHK	MS FEHER	9/15/92				
		APVD	C MEYERS	9/15/92				
TOLERANCES UNLESS OTHERWISE SPECIFIED:		PRODUCT SPEC		NAME				
0 PLC ± - 1 PLC ± - 2 PLC ± - 3 PLC ± .015 4 PLC ± - ANGLES ± -		APPLICATION SPEC		SIZE	CAGE CODE	DRAWING NO	RESTRICTED TO	
MATERIAL: BRASS		FINISH: SEE TABLE		WEIGHT: -	A3	00779	C-61045	-
CUSTOMER DRAWING				SCALE	5:1	SHEET	1 OF 1	REV H