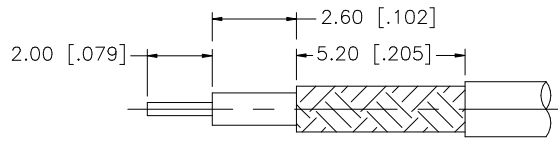
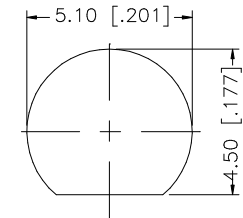
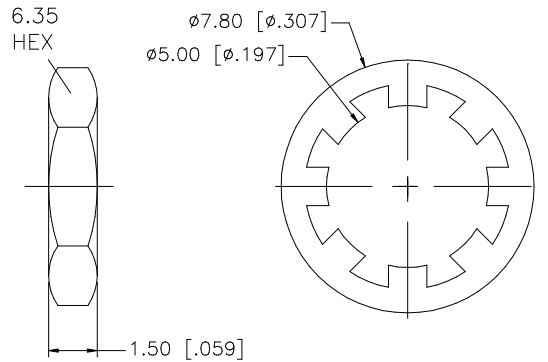


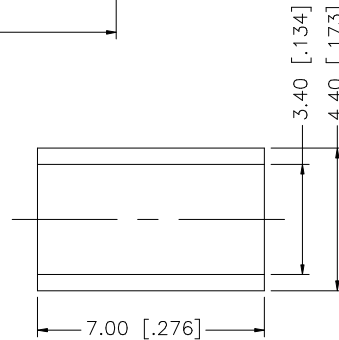
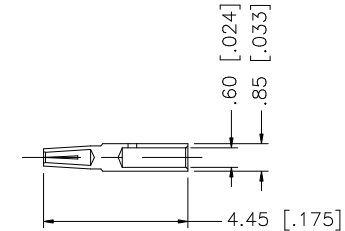
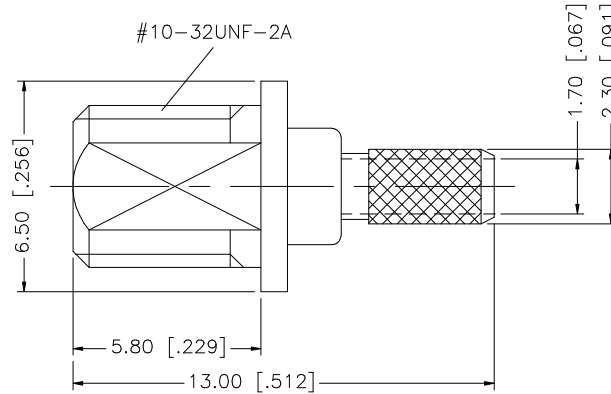
| REV. | DATE | DESCRIPTION |
|------|----------|-----------------------|
| NC | 05/16/99 | INITIAL RELEASE |
| A | 02/19/07 | UPDATE DRAWING FORMAT |



RECOMMENDED CABLE STRIPPING DIM'S.



RECOMMENDED MOUNTING HOLE



| QTY | FINISH | MATERIAL | DESCRIPTION |
|-----|---------|-------------|-------------|
| 1 | GOLD | BRASS | BODY |
| 1 | NATURAL | TEFLON | INSULATOR |
| 1 | GOLD | BER. COPPER | CONTACT PIN |
| 1 | GOLD | BRASS | LOCK WASHER |
| 1 | GOLD | BRASS | HEX NUT |
| 1 | GOLD | COPPER | FERRULE |

UNLESS OTHERWISE SPECIFIED DIMENSIONS ARE IN MILLIMETERS. DIMENSIONS IN [] ARE IN INCHES AND FOR CUSTOMER REFERENCE ONLY.

UNLESS OTHERWISE SPECIFIED TOLERANCES FOR MILLIMETERS ARE:
0.5 - 8mm ± 0.20mm
8 - 30mm ± 0.40mm
30 - 120mm ± 0.50mm

UNLESS OTHERWISE SPECIFIED TOLERANCES FOR INCHES ARE:
.020 - .315 = ± 0.007"
.315 - 1.180 = ± 0.015"
1.180 - 4.724 = ± 0.020"

DO NOT SCALE DRAWING

| APPROVALS | DATE |
|--------------|-------------------|
| DRAWN G.R.S. | 02/19/07 |
| CHECKED | |
| ISSUED | |
| SHEET 1 OF 1 | |
| CAD FILE | C:/262/262122.DWG |

Amphenol Connex

PART DESCRIPTION
**MMCX BULKHEAD CRIMP JACK
(FOR 316/U DOUBLE BRAID CABLE)**

| PART NO. | DWG. NO. | REV. | SIZE | SCALE |
|----------|------------|------|------|-------|
| 262122 | 262122.DWG | A | A | NA |