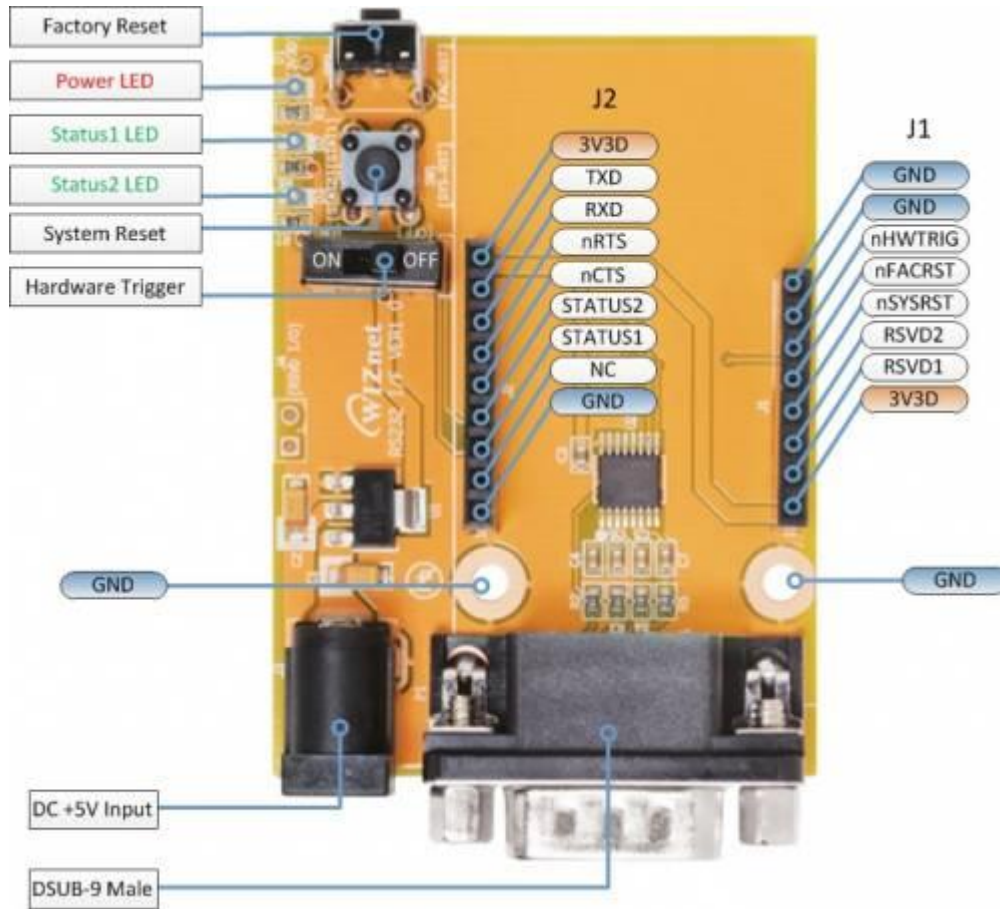


WIZ550S2E-232 Interface board

- Line Driver SP3232EBEY
- System Reset Switch
- Factory Reset Switch
- Hardware-Trigger Mode Switch
- Status LEDs
- DC-Jack (for +5V Input Power)



Schematic

Item	Version	Schematic(PDF)	Schematic(CAD)
------	---------	----------------	----------------

WIZ550S2E-232 interface board 1.0

[rs232if v1 0.pdf](#) [rs232if v1 0.zip](#)

WIZ550S2E-232 Interface board

