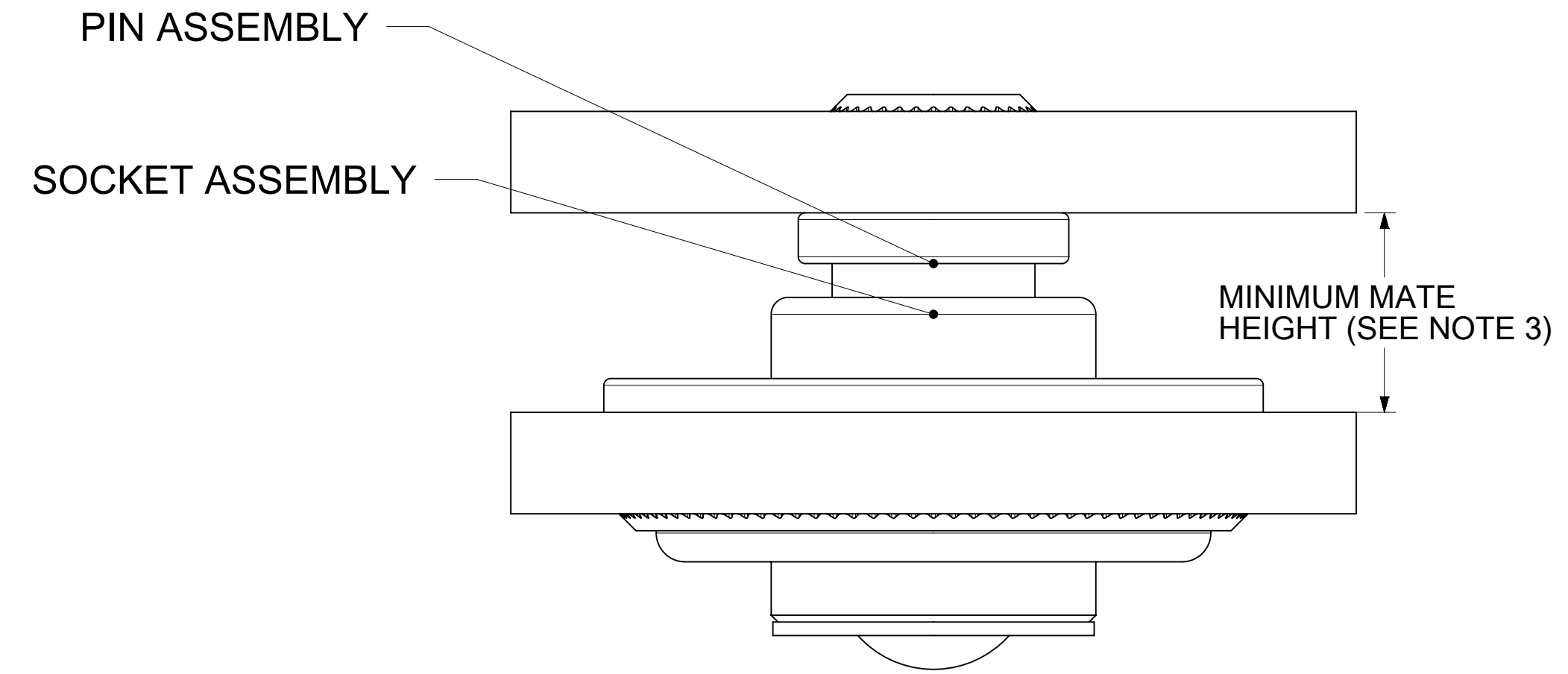


SECTION A-A



MATING PROFILE

NOTES:

1. MATERIALS: COPPER ALLOY
RETENTION CAP: STAINLESS STEEL
2. PLATING:
 - i. CONTACT AREA: GOLD.
 - ii. REST AREA: SILVER WITH TARNISH INHIBITOR
3. MATES WITH THE STANDARD PIN DRAWINGS:
 - i. 6.0MM SMT DRAWING 2032630136-SD, MIN MATING DISTANCE 6.15MM
 - ii. 6.0MM PRESS FIT DRAWING 2032630006-SD, MIN MATING DISTANCE 5.9MM
 - iii. 6.0MM SCREW MOUNT DRAWING 2032636185-SD, MIN MATING DISTANCE 8.9MM
4. PRODUCT SPECIFICATION: 2043130006-PS
5. APPLICATION SPECIFICATION: 2043130006-AS
6. PACKAGING SPECIFICATION: 2043650006-PK
7. SILVER COMPONENTS WILL BE SUPPLIED TARNISH FREE BUT MAY TARNISH OVER TIME.
8. DATE CODE TO BE LASER MARKED APPROXIMATELY WHERE SHOWN USING DDYY FORMAT

THIS DRAWING CONTAINS INFORMATION THAT IS PROPRIETARY TO MOLEX ELECTRONIC TECHNOLOGIES, LLC AND SHOULD NOT BE USED WITHOUT WRITTEN PERMISSION											
DIMENSION UNITS	SCALE	CURRENT REV DESC: UPDATED THE TITLE BLOCK									
mm	NTS										
GENERAL TOLERANCES (UNLESS SPECIFIED)											
ANGULAR TOL	± °										
4 PLACES	±	EC NO: 747243									
3 PLACES	±	DRWN: SACHIK7	2023/02/28								
2 PLACES	± 0.15	CHK'D: SCS02	2023/04/25								
1 PLACE	± 0.25	APPR: HTHYAGARAJ	2023/04/26								
0 PLACES	±	INITIAL REVISION:									
		DRWN: FCSOO	2018/08/23								
		APPR: BPISZCZOR	2019/05/30								
DRAFT WHERE APPLICABLE MUST REMAIN WITHIN DIMENSIONS		THIRD ANGLE PROJECTION	DRAWING	SERIES	MATERIAL NUMBER	CUSTOMER	SHEET NUMBER				
			D-SIZE	204313	2043130006	GENERAL MARKET	1 OF 1				

molex

6.0MM CENTRALITY TOP ENTRY PRESS-FIT
SOCKET WITH FLOAT IN TRAY

PRODUCT CUSTOMER DRAWING

DOCUMENT NUMBER	DOC TYPE	DOC PART	REVISION
2043130006-SD	PSD	000	B2