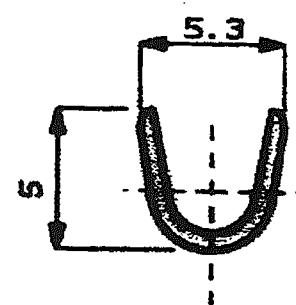
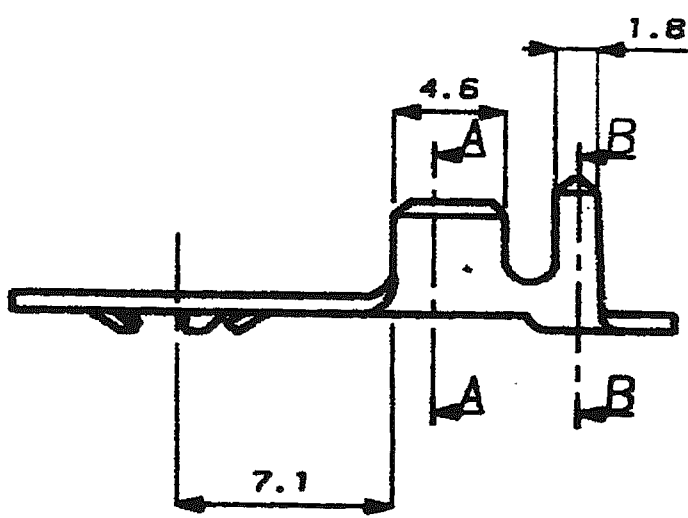
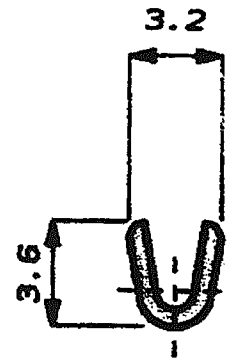
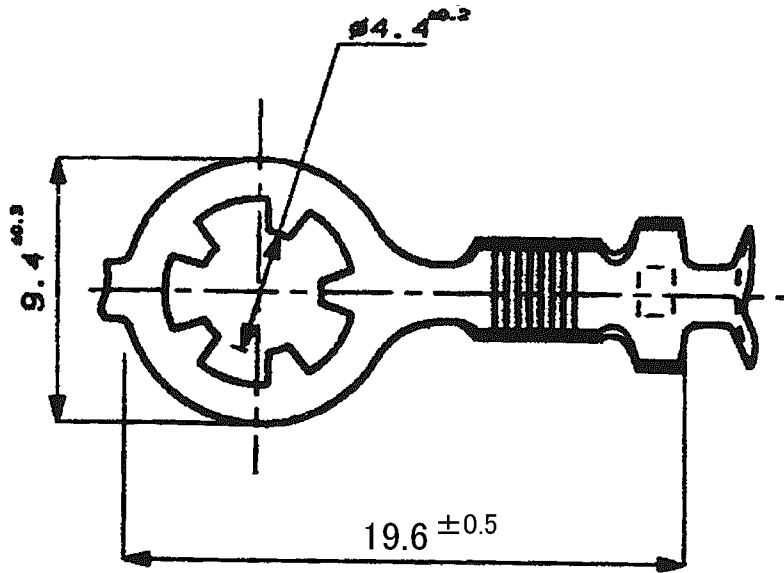


LOC	DIST	REVISONS					
J	—	P	LTR	DESCRIPTION	DATE	DWN	APVD
		01		REDRAWN WITH CHANGE FJD0-0020-05	17JAN2005	Y.Y	N.Y



THIS DRAWING IS UNPUBLISHED.  
 ALL RIGHTS RESERVED.  
 BY TYCO ELECTRONICS CORPORATION.  
 © COPYRIGHT

DIMENSIONS: 单位: 毫米 mm		DWN N.YAMASAKI 17JAN2005	MATERIAL 材料 冷間圧延鋼	把合電線切断面積 AWG #22-#16	被覆外径 Φ2.54-Φ3.55
TOLERANCES UNLESS OTHERWISE SPECIFIED: 一般公差 ± 0.4		CHK N.YAMASAKI 17JAN2005	Tyco Electronics AMP K.K. Kawasaki, Japan		
		APVD S.MANABE 17JAN2005	NAME 名称 RING TERMINAL		
		PRODUCT SPEC 製品規格 —	SIZE A4	CAGE CODE 00779	DRAWING NO 番号 C-173636
		APPLICATION SPEC 取付適用規格 —	RESTRICTED TO —		
WEIGHT —		CUSTOMER DRAWING			SCALE 尺度 4-1
		SHEET 1 OF 1			REV 01