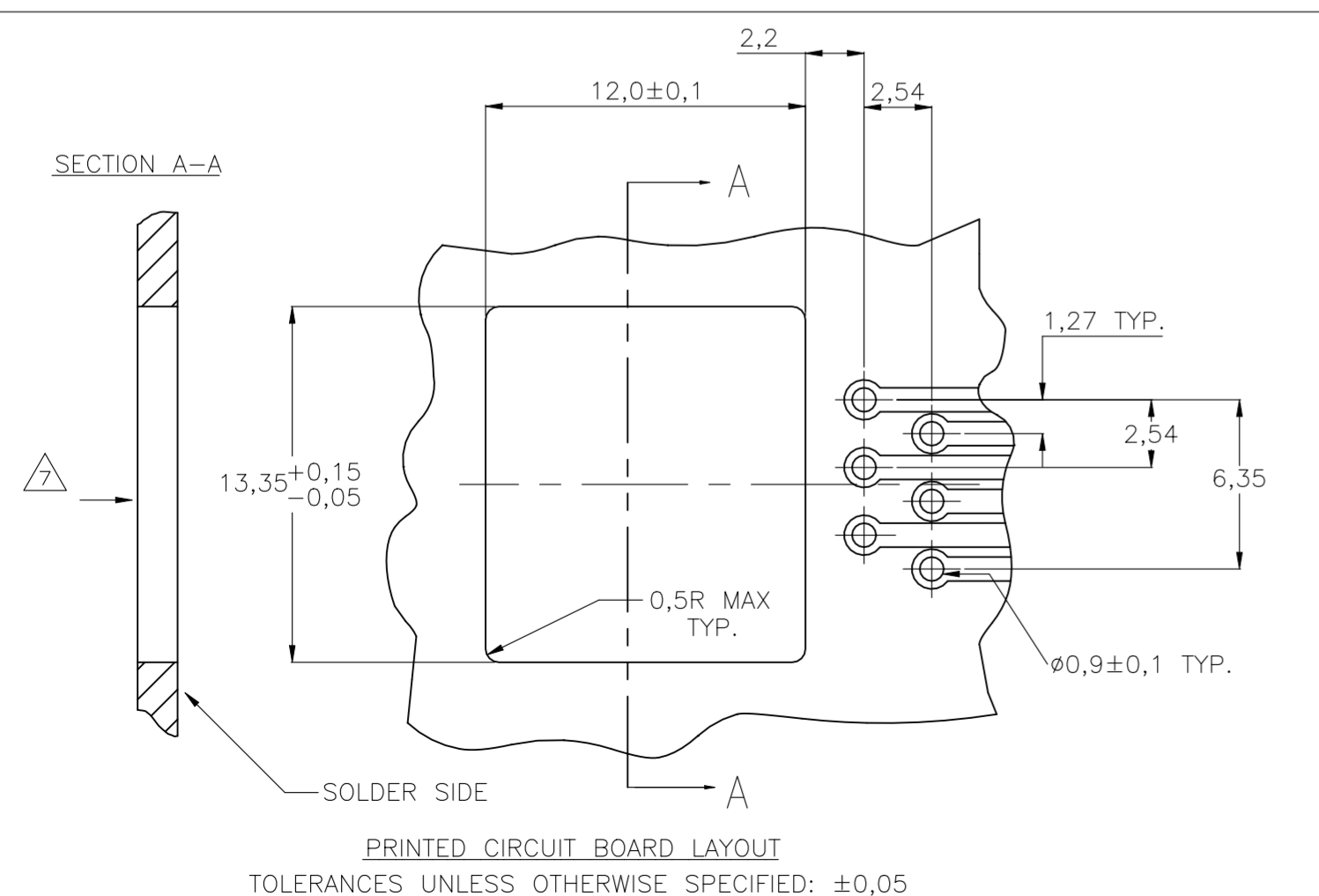
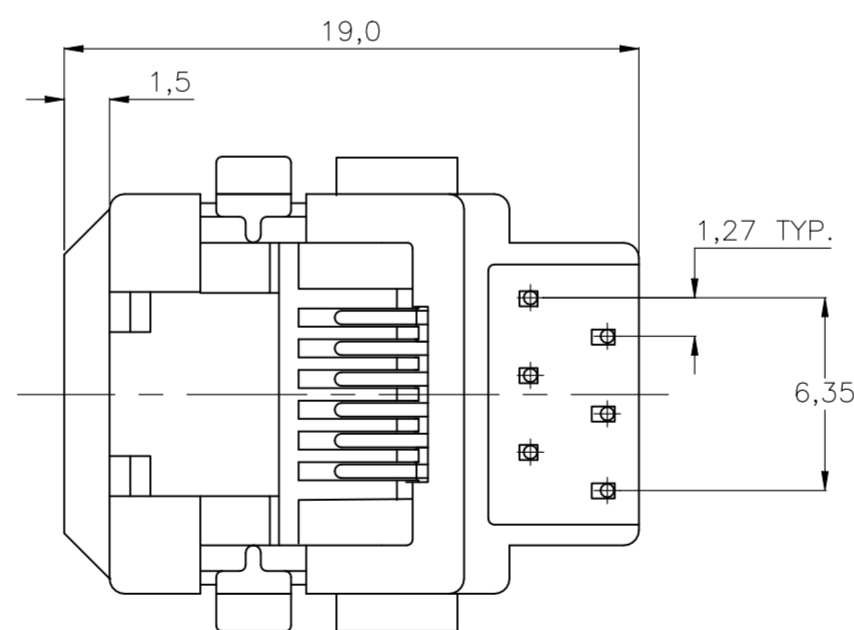
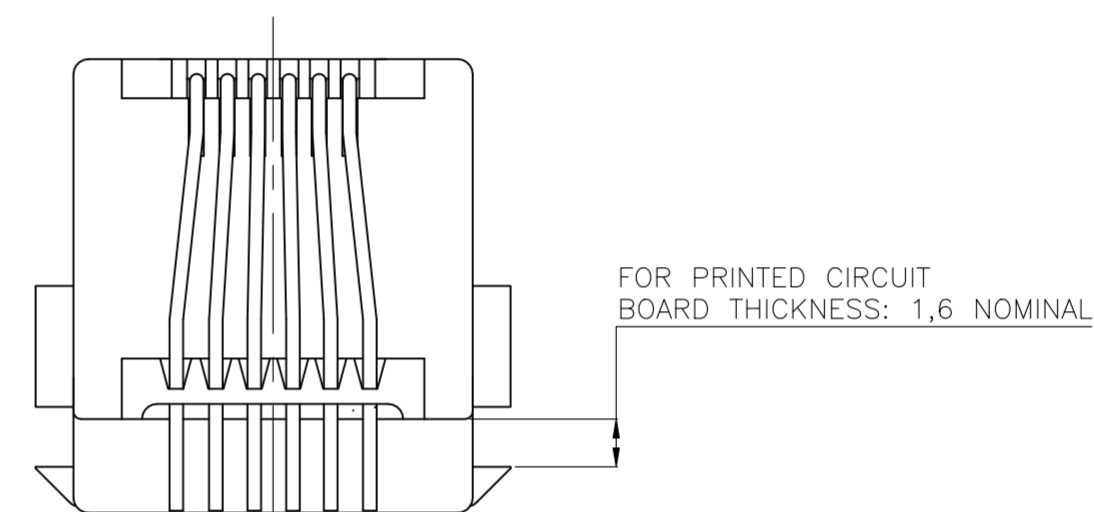
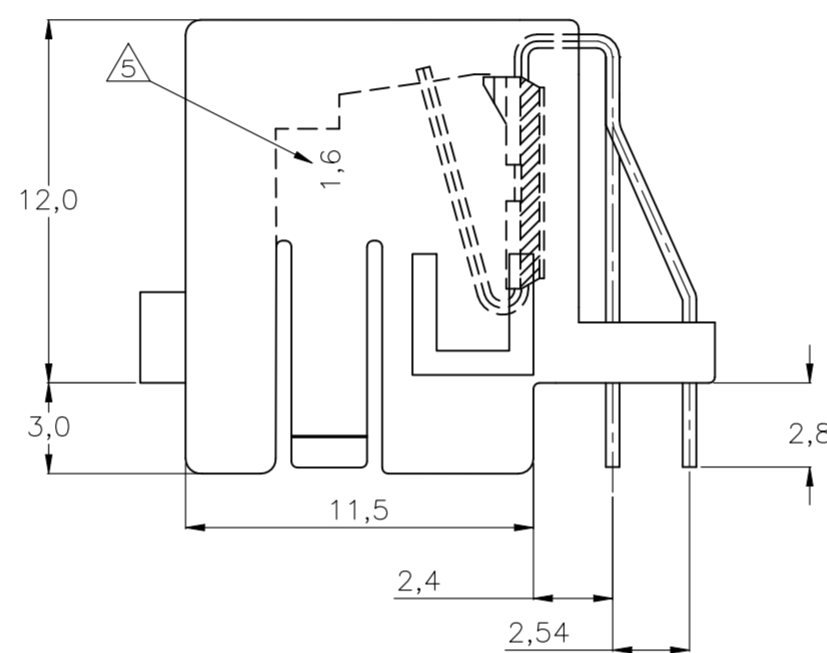
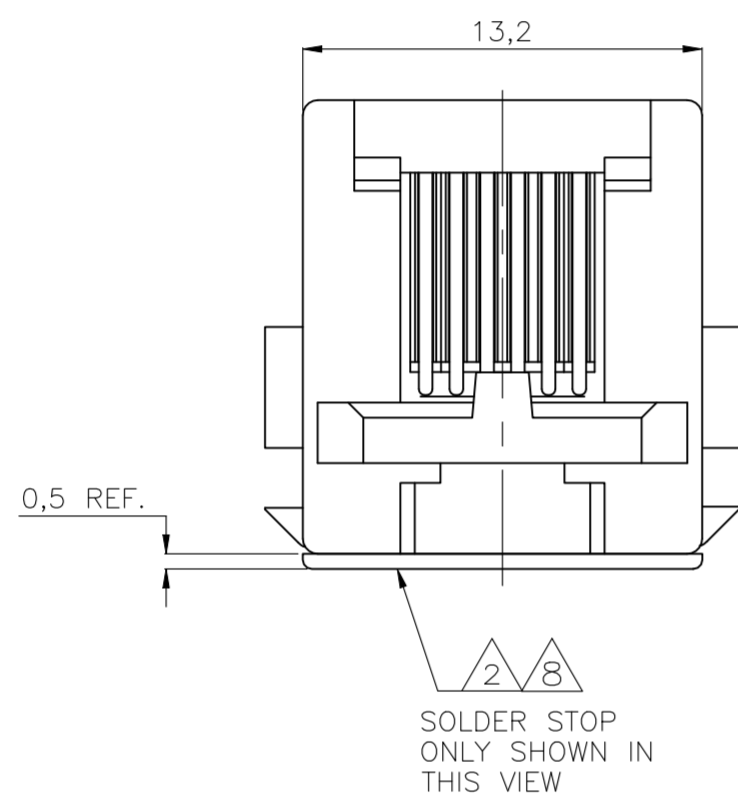
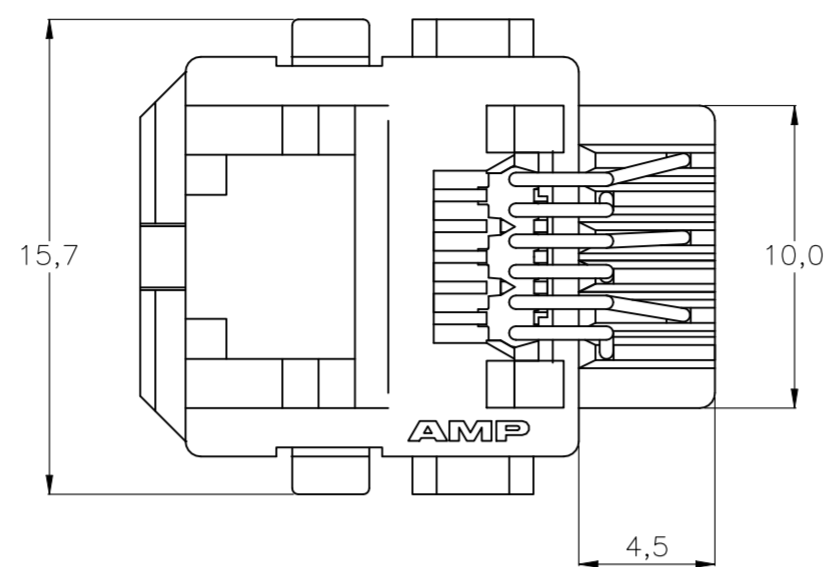


REVISIONS					
P	LTR	DESCRIPTION	DATE	DWN	APVD
	R1	ECR-08-012368	06-11-08	AEG	WRV
	R2	ECR-10-022530	07JAN11	KK	HMR
	R3	REVISED PER ECN-22-180673	20OCT22	AK	SZ

NOTES:

1. TOLERANCES UNLESS OTHERWISE SPECIFIED: $\pm 0,15$.
2. MODULAR JACK P.N. 216446-1, 216446-2, 3-216446-1 AND 3-216446-2 ARE DELIVERED WITH PLASTIC SOLDER STOP INSTALLED, TO PREVENT SOLDER ENTERING THE JACK. REMOVE SOLDER STOP AFTER SOLDERING.
3. FOR PERFORMANCE REQUIREMENTS SEE TE PRODUCT SPECIFICATION 108-19064.
4. FOR APPLICATION REQUIREMENTS SEE TE APPLICATION SPECIFICATION 114-19019.
5. MOLDED-IN CHARACTER "1,6" MEANS FOR 1,6mm PRINT THICKNESS.
6. FOR PACKAGING SEE SHEET 2.
7. PREFERRED DIRECTION FOR STAMPING OF HOLE TO OBTAIN A BROKEN EDGE AT JACK ENTRY SIDE.
8. TRUE POSITIONING OF THE SOLDER TINES MAY BE AFFECTED BY BULK PACKAGING. THE SOLDER STOP COULD BE LOOSENED DURING TRANSPORT.



OBsolete	DESCRIPTION	FINISH	MATERIAL	PARTNUMBER
OBsolete	BULK PACKAGED 500 pcs/BOX	6 POS./4 CONTACTS WITH SOLDER STOP	CONTACTS: 1,25µm MIN. GOLD OVER HOUSING: 20% G.F. NYLON	3-216446-2
2	BULK PACKAGED 1000 pcs/BOX	6 POS./6 CONTACTS WITH SOLDER STOP	CONTACTS: 1,25µm MIN. NICKEL IN CONTACT AREA HOUSING: COLOR: BLACK UL 94-HB	3-216446-1
OBsolete	700 pcs ON A .60 cm DIA REEL	6 POS./4 CONTACTS WITH SOLDER STOP	CONTACTS: 2µm MIN. TIN LEAD OVER 1,25µm MIN. HOUSING: PHOS. BRONZE	-216446-2-
2	700 pcs ON A Ø60 cm DIA. REEL	6 POS./6 CONTACTS WITH SOLDER STOP	CONTACTS: NICKEL ON SOLDER TINES.	216446-1

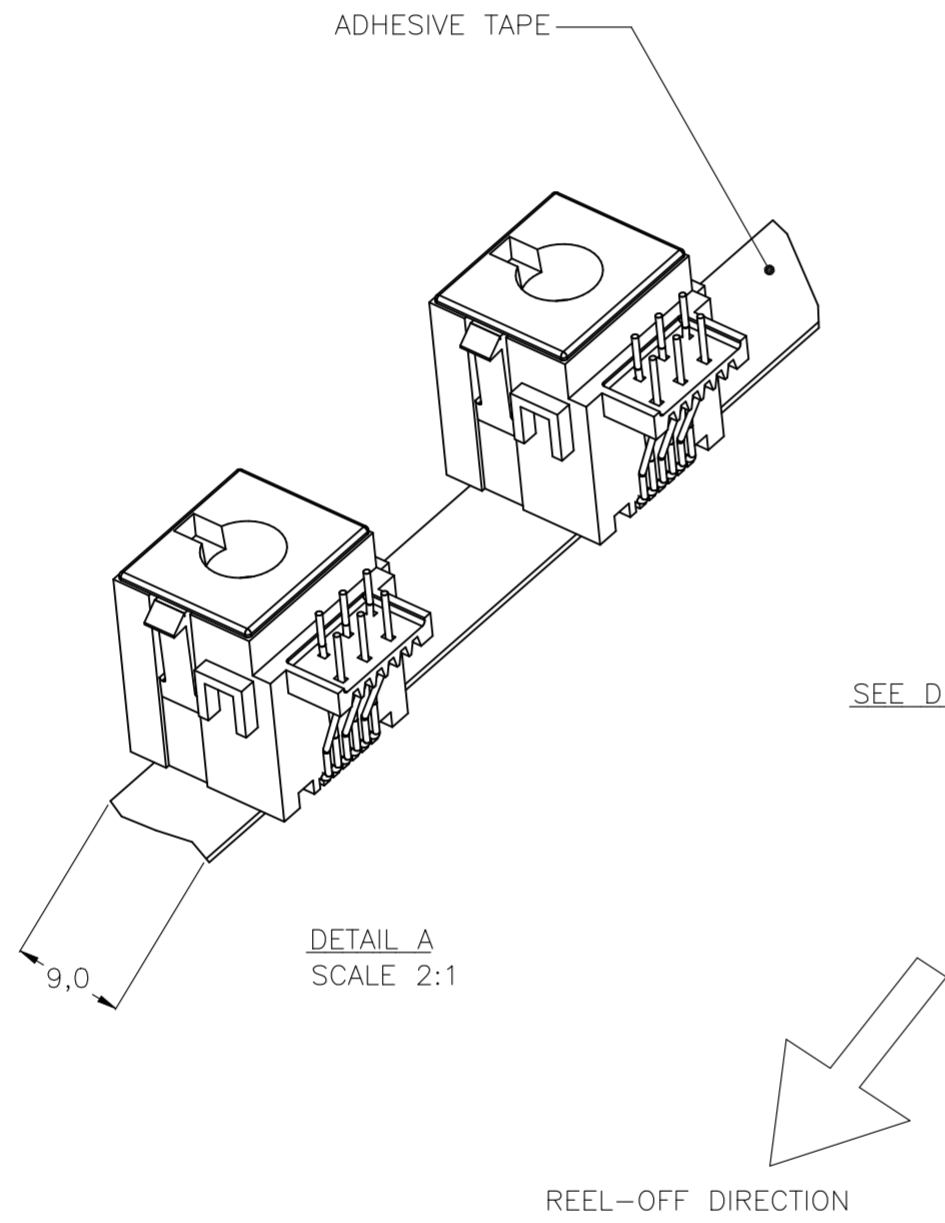
THIS DRAWING IS A CONTROLLED DOCUMENT.		DWN	M.V.ESSSEN	29NOV95
DIMENSIONS: mm		CHK	W.BRUMMANS	
TOLERANCES UNLESS OTHERWISE SPECIFIED:		APVD	C.V.TILBURG	
0 PLC	± -	PRODUCT SPEC		
1 PLC	± -	APPLICATION SPEC		
2 PLC	± -			
3 PLC	± -			
4 PLC	± -			
ANGLES	± -			
MATERIAL		WEIGHT		
		SCALE	A2	00779
		CUSTOMER DRAWING		



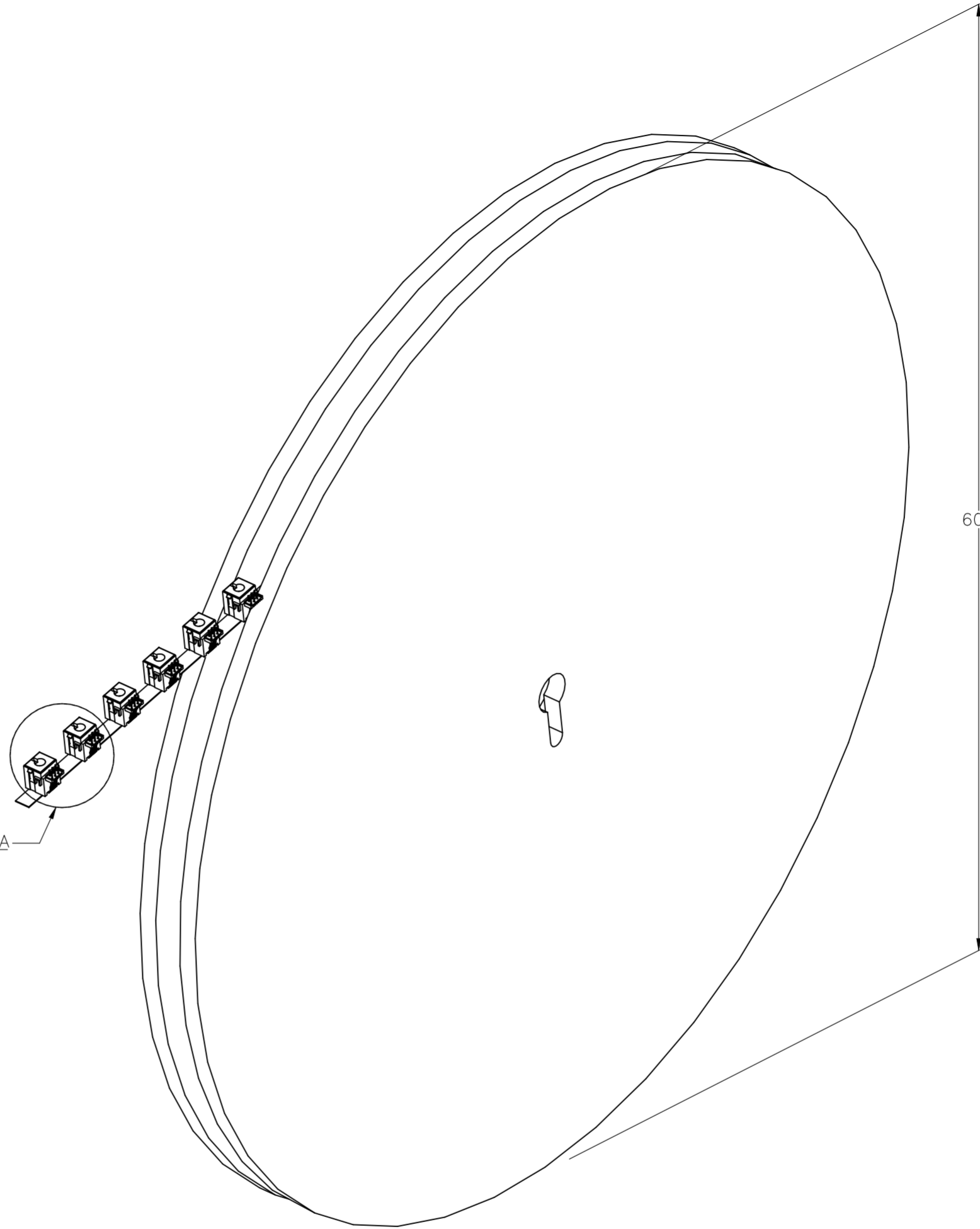
MODULAR JACK, 6 POS
BOTTOM ENTRY VERSION
FOR PRINTED CIRCUIT BOARD MOUNTING

SIZE	CAGE CODE	DRAWING NO	RESTRICTED TO
A2	00779	C=216446	
SCALE	SHEET	1 of 2	REV
NTS			R3

REVISIONS					
P	LTR	DESCRIPTION	DATE	DWN	APVD
-	-	SEE SHEET 1	-	-	-



SEE DETAIL A



THIS DRAWING IS A CONTROLLED DOCUMENT.		DWN	19DEC96																			
DIMENSIONS: mm		CHK	F.V.EIJK																			
TOLERANCES UNLESS OTHERWISE SPECIFIED:		APVD	W.BRUMMANS																			
<table border="0"> <tr><td>0 PLC</td><td>±</td><td>-</td></tr> <tr><td>1 PLC</td><td>±</td><td>-</td></tr> <tr><td>2 PLC</td><td>±</td><td>-</td></tr> <tr><td>3 PLC</td><td>±</td><td>-</td></tr> <tr><td>4 PLC</td><td>±</td><td>-</td></tr> <tr><td>ANGLES</td><td>±</td><td>-</td></tr> </table>		0 PLC	±	-		1 PLC	±	-	2 PLC	±	-	3 PLC	±	-	4 PLC	±	-	ANGLES	±	-	NAME	R.SMEETS
0 PLC	±	-																				
1 PLC	±	-																				
2 PLC	±	-																				
3 PLC	±	-																				
4 PLC	±	-																				
ANGLES	±	-																				
MATERIAL	FINISH	PRODUCT SPEC	APPLICATION SPEC		SIZE	CAGE CODE	DRAWING NO	RESTRICTED TO														
-	-	WEIGHT	-		A2	00779	C=216446	-														
CUSTOMER DRAWING					SCALE	NTS	SHEET	2 OF 2	REV	R3												