



MADE
IN THE **USA**

Related Products (each sold separately):

- BK006-0111: Bulk Dispenser - Triple (shown below)
- PS032-0212: Protection System - Large Volume



Product Description:

- Protective Wear Dispenser - Gowns/Hoods/Other
- Holds disposable gowns, aprons, lab coats, or coveralls/ jumpsuits, hoods, or full face shields
- Designed for extra capacity to accommodate USP <800>
- Keyholes for wall mounting
- Quartz Beige ABS Plastic

Primary Area for Product Usage:

- Anywhere personal protective equipment is needed

Dispenses:

- Gowns, aprons, lab coats, or coveralls/jumpsuits, hoods, or full face shields no larger than 12.00"W x 14.00"H x 9.25"D (30.5 cm x 35.6 cm x 23.5 cm)

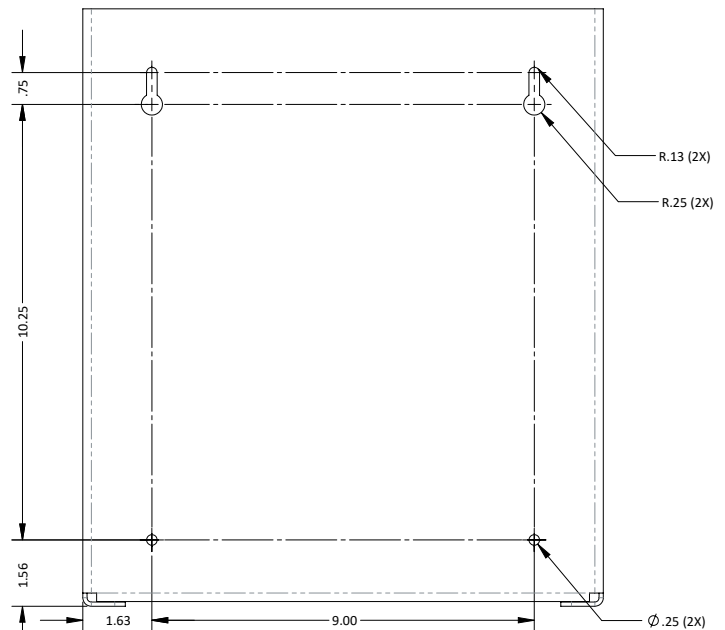
Package Specifications:

- Package Quantity: 2 per case
- 20"L x 16"W x 12"H (50.8 cm x 40.6 cm x 30.5 cm)
- 7.0 lbs (3.2 kg) - approximated

Product Specifications (overall external dimensions):

- 12.25"W x 14.06"H x 9.45"D (31.1 cm x 35.7 cm x 24.0 cm)
- 2.5 lbs (1.1 kg) - approximated

Mounting Specifications:

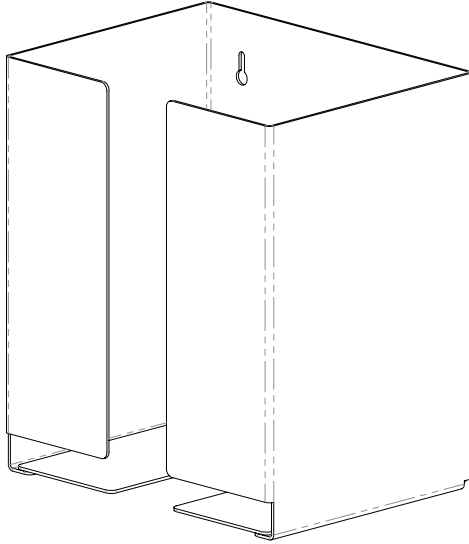




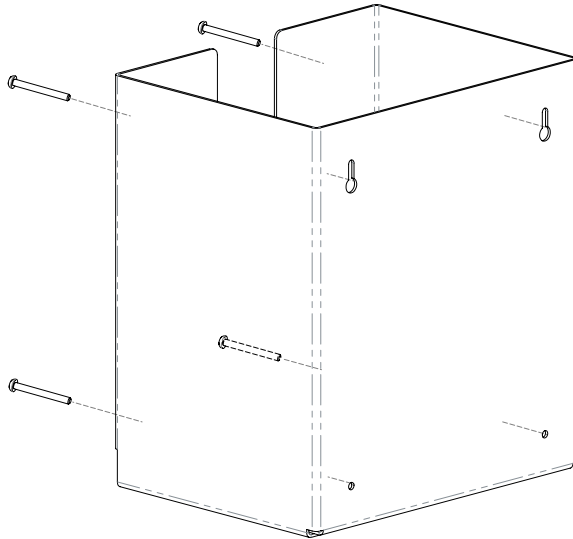
Installation

Always mount dispensers securely *prior* to loading with product.

- Extra capacity designed to accommodate USP <800> needs.



- Mount securely to a wall with screws approved and supplied by building maintenance.



Parts included:

- Dispenser

Tools Required:

- No tools required to assemble dispenser

Care and Construction

ABS Plastic

Material Characteristics

Designed for Long-Term, Heavy-Duty Applications

The combination of copolymers (Acrylonitrile, Butadiene, and Styrene) gives ABS an excellent combination of strength, rigidity, and toughness. The fauxwood finish is ARVINYL laminate created from a semi-rigid film.

ABS is chemical and stress-crack resistant. It is tough, dimensionally stable, and will hold up to long-term use. To ensure product longevity, fauxwood products should not be mounted in very hot or cold areas.

Care and Cleaning

Use mild soap and water to clean. Petroleum-based oils, solvents, and paints should not be used.

Standard hospital cleaning supplies are approved for use on our ABS plastic products.