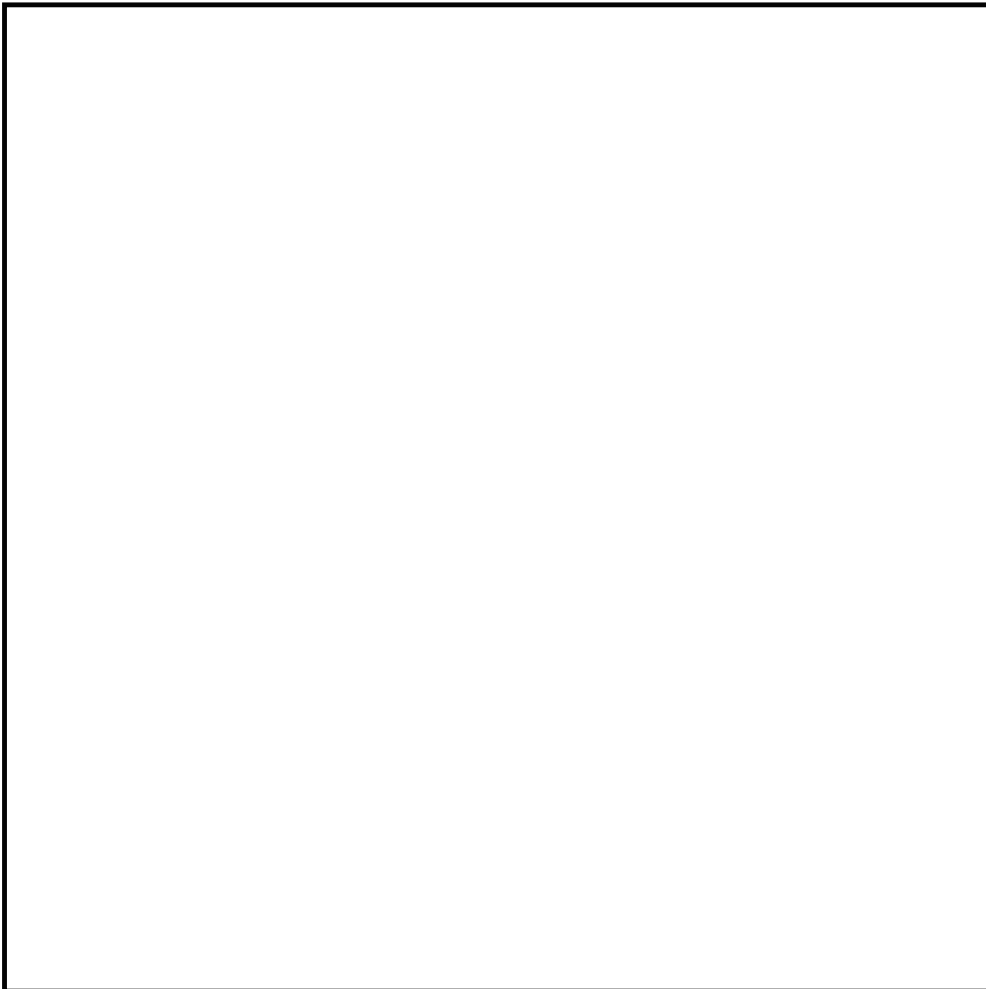


BOH AI-R396-039-02-S49F

Bestellcode: BOH00FJ

3D-View



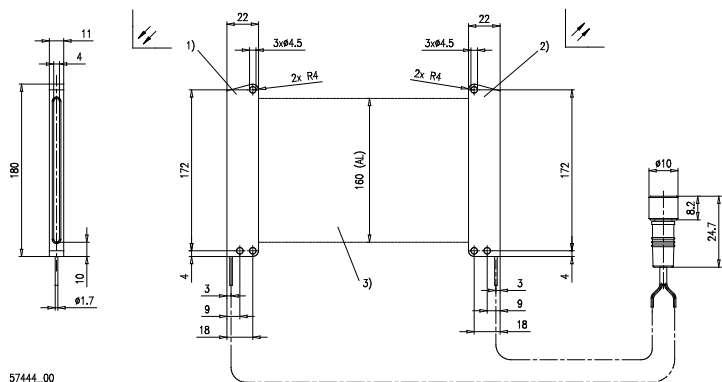
[Link](#) Balluff Webseite

BOH AI-R396-039-02-S49F
Bestellcode: BOH00FJ

BALLUFF

Dimension

E-PLAN



Availability	Available
Order code	BOH00FJ
Product identifier	BOH AI-R396-039-02-S49F
Product view	57444_00
Rotation	0
IO Device Description	
Principle of optical operation	Einweglichtschranke
Interface	
Switching function	
Range	
Connection type	
Light type	
Dimensions	
Tasks	Detection: Object.Inspect: Contour.Position.
Special application areas	
Housing material	PA 6
Operating voltage U_b	
Special optical feature	
Protection degree	
Connector design	
Approval/Conformity	
Product family	Optical sensor heads
Weight	70 g
Customs number	85414090