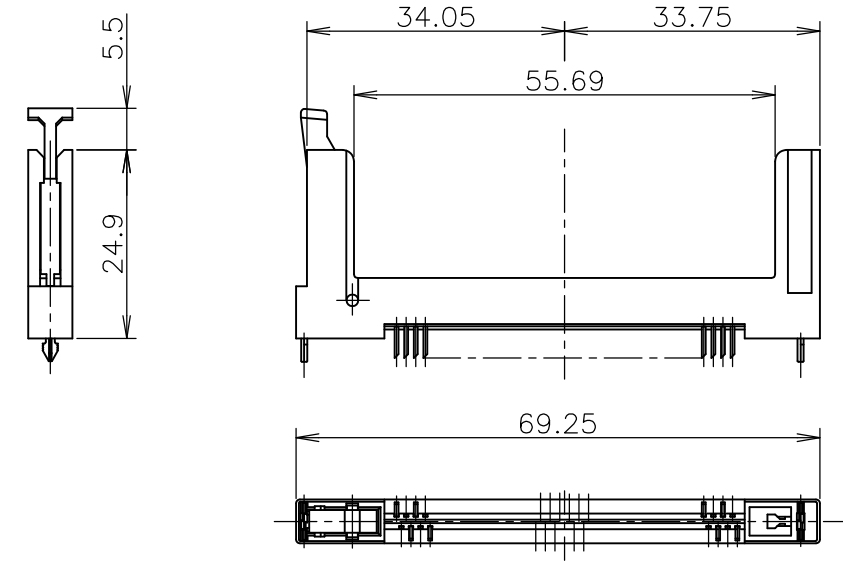
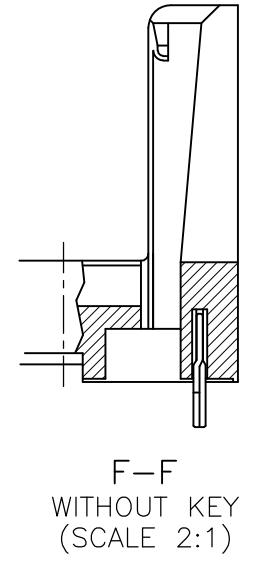
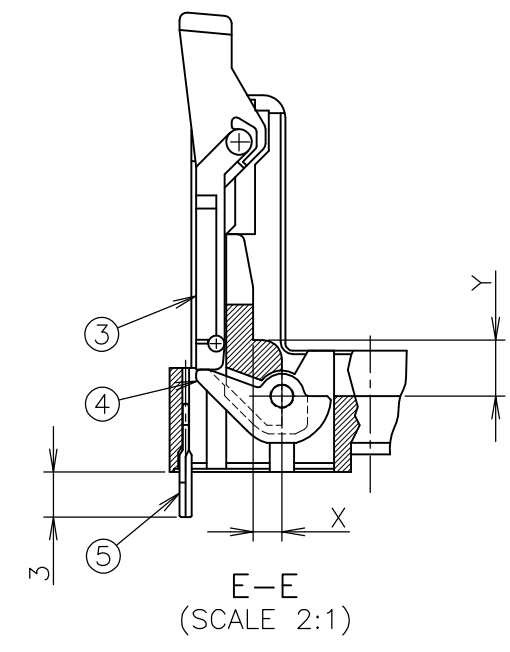
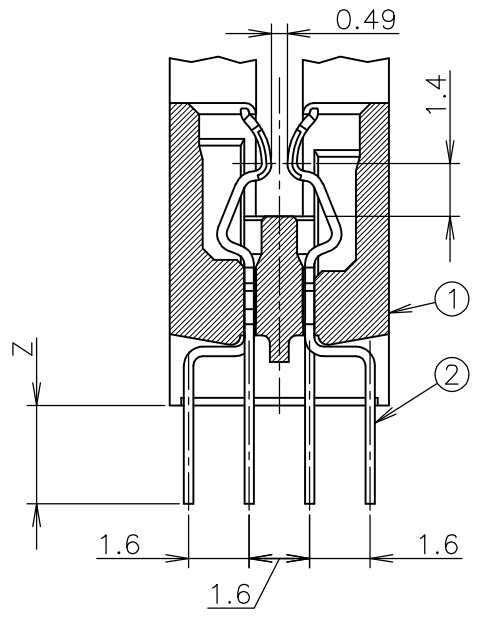
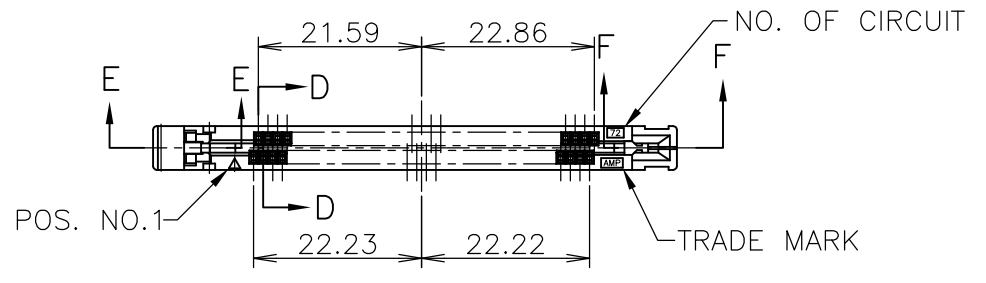


THIS DRAWING IS UNPUBLISHED. RELEASED FOR PUBLICATION APR, 1994.  
 © COPYRIGHT 1994 By Tyco Electronics Japan G.K. ALL RIGHTS RESERVED.

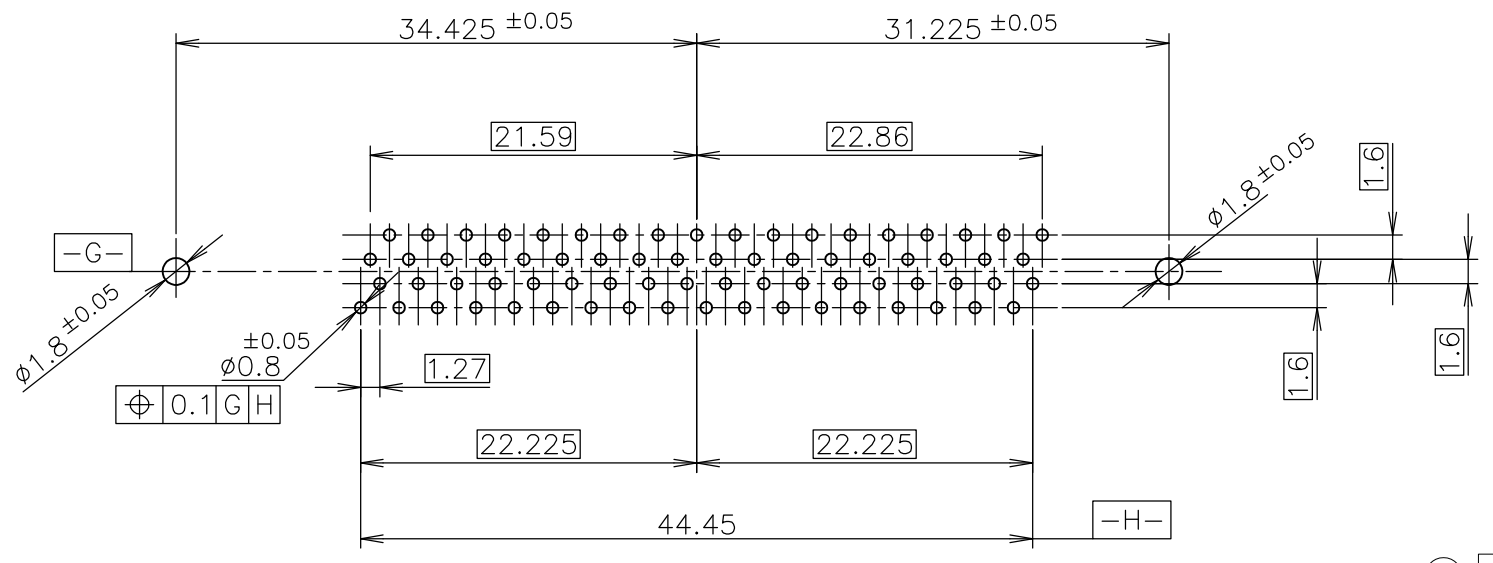
LOC	DIST	REVISIONS			DATE	DWN	APVD
		P	LTR	DESCRIPTION			
J	/		F	REVISED PER ECR-11-001017	26APR11	TT	TM



D-D  
 ROTATED 90° CCW  
 (SCALE 5:1)

E-E  
 (SCALE 2:1)

F-F  
 WITHOUT KEY  
 (SCALE 2:1)

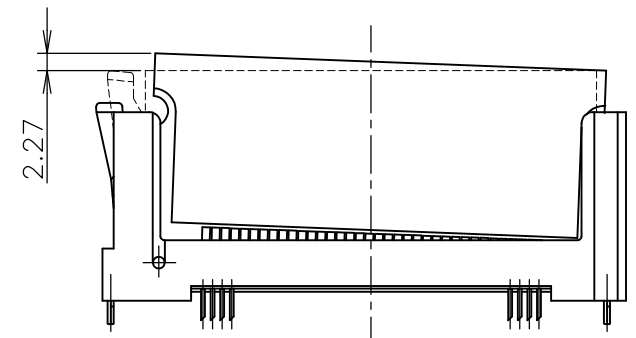


MOUNTING LAYOUT (VIEW FROM CONN. MOUNTING SIDE)  
 (SCALE 2:1)

- △ MATERIAL; HOUSING: L.C.P (HIGH TEMP THERMO PLASTIC)  
 UL 94V-0, NATURAL.  
 CONTACT: PHOS-BRZ  
 ARM & PUSH BAR: PA 6T UL94V-0
- △ FINISH; CONTACT AREA: 0.0003 MIN GOLD ON  
 0.0013 MIN ALL OVER NICKEL.  
 SOLDERING AREA: 0.001 MIN TIN-LEAD.
- 3 MODULE KEY POSITION OF CONNECTOR SEE TABLE.
- △ 材料:ハウジング:L.C.P (耐熱性熱可塑性樹脂) UL 94V-0, 自然色  
 コンタクト: 焼青銅  
 アーム及びプッシュバー: PA 6T UL94V-0
- △ めっき仕様; 接触部 金めっき 0.0003 MIN 厚  
 ニッケル下地 0.0013 MIN 厚  
 半田付け部; 半田めっき 0.001 MIN 厚
- 3 コネクターのモジュールキーは表参照の事。

RETENTION LEG	⑤
ARM	④
PUSH BAR	③
CONTACT	②
HOUSING	①
PARTS	NO.

BLACK	INEXIST	2	6.05	1.9	5V A=2.03, B=6.35	5-179759-2
NATURAL	INEXIST	2	2.875	1.9	3.3V A=2.03, B=3.175	5-179759-1
(F) OBSOLETE	BLACK	INEXIST	2.6	6.05	5V A=2.03, B=6.35	179759-2
(F) OBSOLETE	NATURAL	INEXIST	2.6	2.875	3.3V A=2.03, B=3.175	179759-1
COLOR OF PUSH BAR	KEY OF RIGHT SIDE	Z	Y	X	MODULE TYPE	PARTS NO.



DIM. OF EJECTION MEMORY MODULE

GENERAL TOLERANCE  
 一般公差

10 ≥	±0.2
30 ≥ > 10	±0.25
100 ≥ > 30	±0.3
ANGLES	±3°

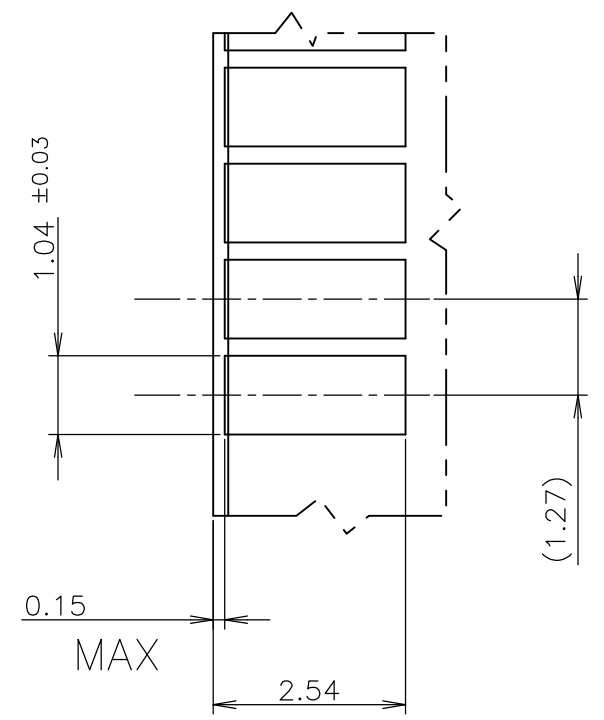
THIS DRAWING IS A CONTROLLED DOCUMENT.

DIMENSIONS: 単位: 耗 mm	TOLERANCES UNLESS OTHERWISE SPECIFIED: 一般公差	DWN T.KUSUHARA 28APR1994	TE Connectivity <b>M III VERTICAL DIMM SOCKET</b> 72P DIP TYPE
	0 PLC ±- 1 PLC ±- 2 PLC ±- 3 PLC ±- 4 PLC ±- ANGLES ±-	CHK I.ENOMOTO 14MAY1994	
		APVD Y.YOSHIMURA 16MAY1994	
		NAME 名称	
MATERIAL 材料	FINISH 仕上	PRODUCT SPEC 製品規格	SIZE A3
		APPLICATION SPEC 取付適用規格	CAGE CODE 00779
		WEIGHT	DRAWING NO 番号 G-179759
			RESTRICTED TO
			SCALE 尺度 1:1
			SHEET 1 OF 2
			REV F

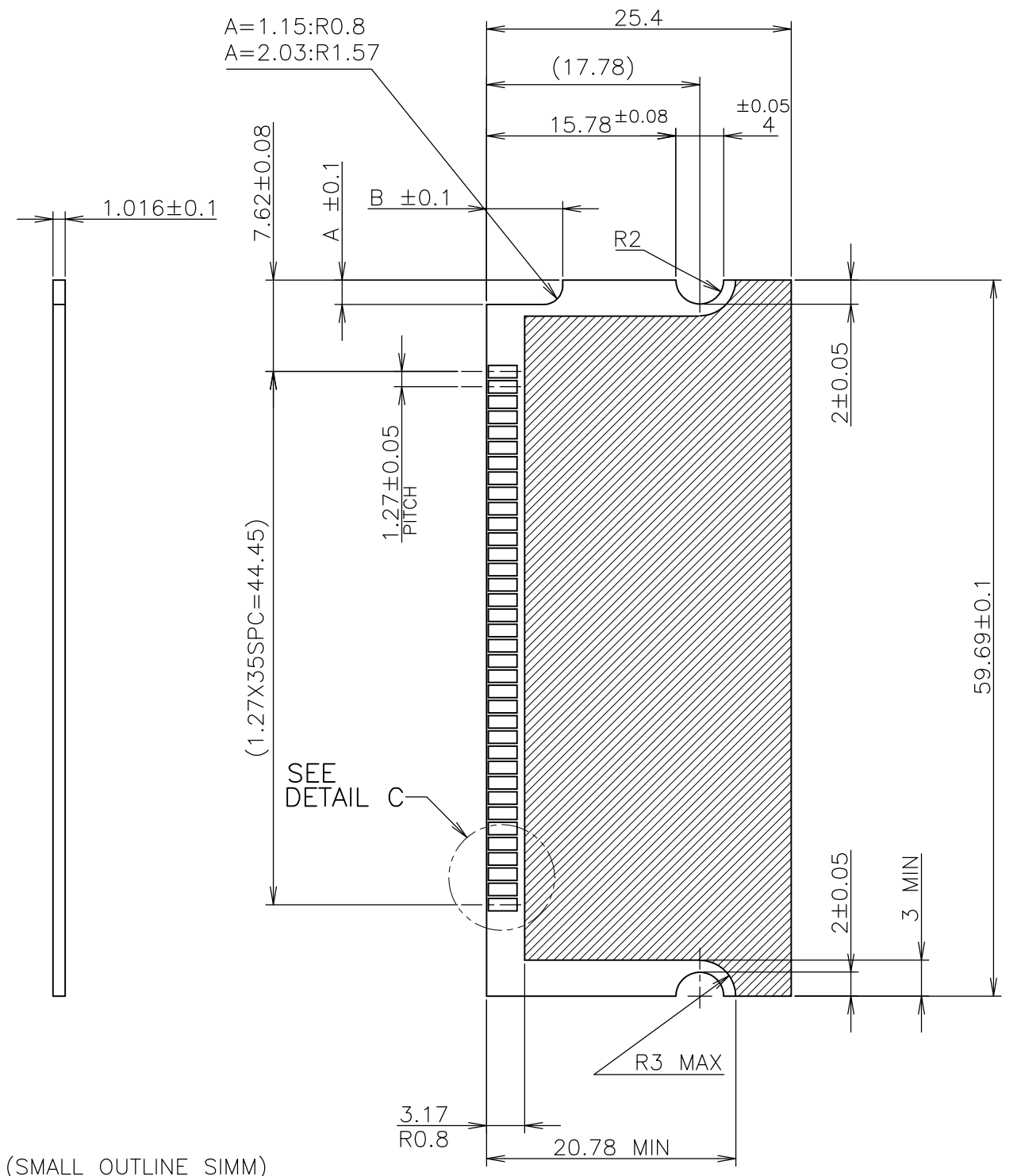
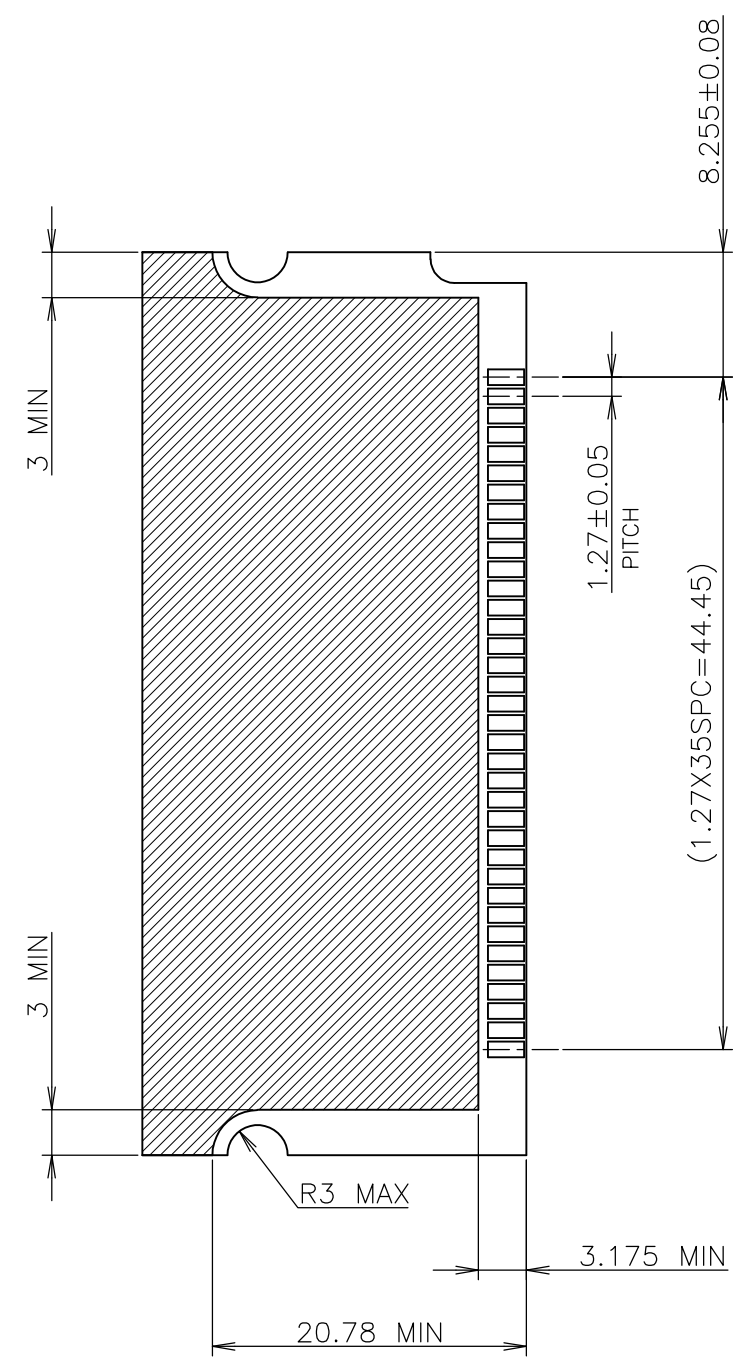
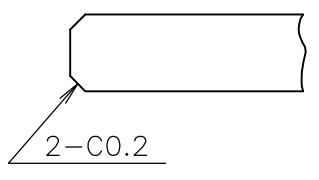
CUSTOMER DRAWING

THIS DRAWING IS UNPUBLISHED. RELEASED FOR PUBLICATION APR, 1994.  
 © COPYRIGHT 1994 By Tyco Electronics Japan G.K. ALL RIGHTS RESERVED.

LOC	DIST	REVISIONS			DATE	DWN	APVD
J	/	P	LTR	DESCRIPTION			
		-		SEE SHEET 1	-	-	-



DETAIL C  
(SCALE 10:1)



部品実装領域  
COMPONENT AREA

参考基板寸法 (SMALL OUTLINE SIMM)  
REFERENCE DIMENSIONS OF "SMALL OUTLINE SIMM" P. C. BOARD

GENERAL TOLERANCE  
一般公差

10 ≥	±0.2
30 ≥ > 10	±0.25
100 ≥ > 30	±0.3
ANGLES	±3°

THIS DRAWING IS A CONTROLLED DOCUMENT.		DWN
DIMENSIONS: 単位: 耗 mm		CHK
TOLERANCES UNLESS OTHERWISE SPECIFIED: 一般公差		APVD
0 PLC ± -		PRODUCT SPEC 製品規格
1 PLC ± -		APPLICATION SPEC 取付適用規格
2 PLC ± -		WEIGHT
3 PLC ± -		
4 PLC ± -		
ANGLES ± -		
MATERIAL 材料	FINISH 仕上	

<b>STE</b> TE Connectivity			
NAME 名称 M III VERTICAL DIMM SOCKET 72P DIP TYPE			
SIZE	CAGE CODE	DRAWING NO 番号	RESTRICTED TO
A3	00779	C-179759	-
CUSTOMER DRAWING		SCALE 尺度 2:1	SHEET 2 OF 2
		REV F	