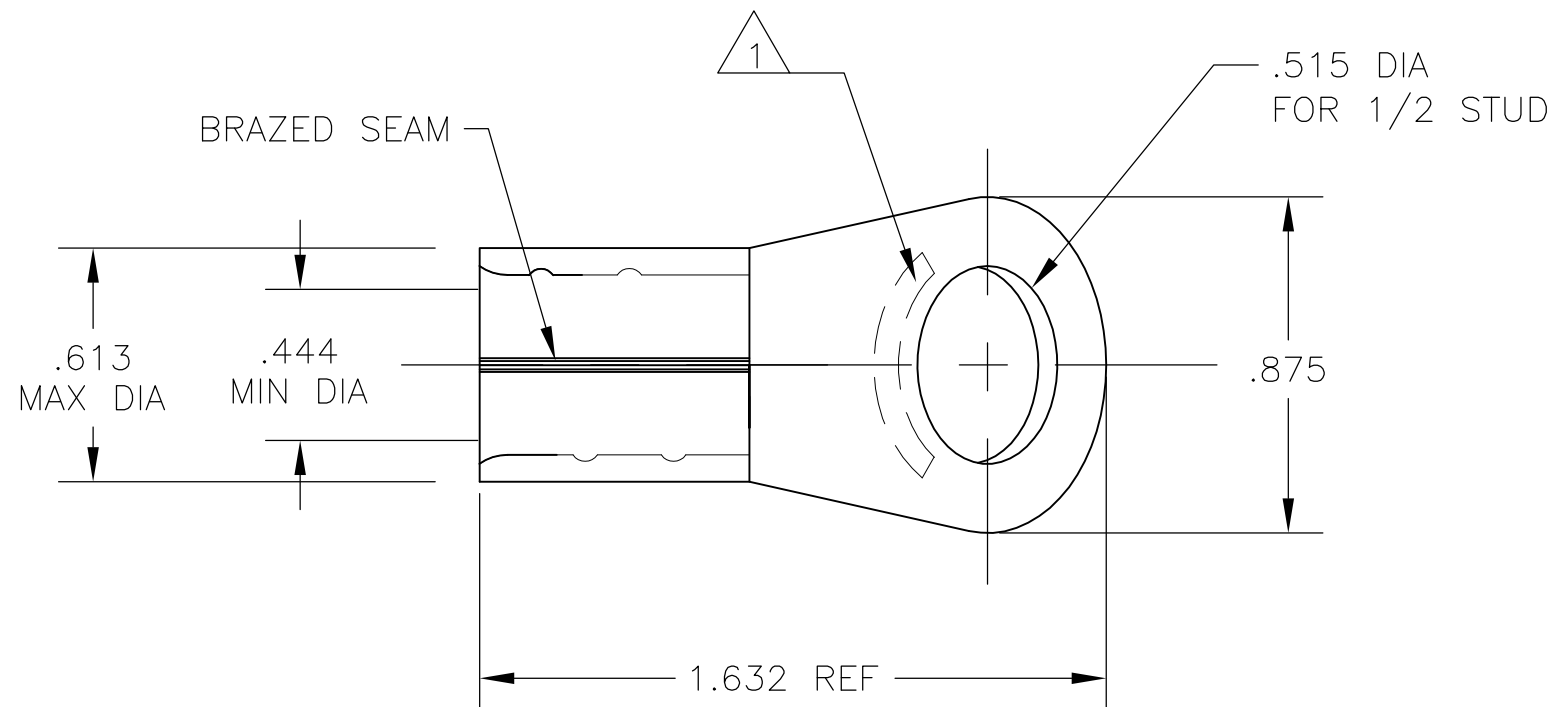


THIS DRAWING IS UNPUBLISHED. RELEASED FOR PUBLICATION
 © COPYRIGHT BY TYCO ELECTRONICS CORPORATION. ALL INTERNATIONAL RIGHTS RESERVED.

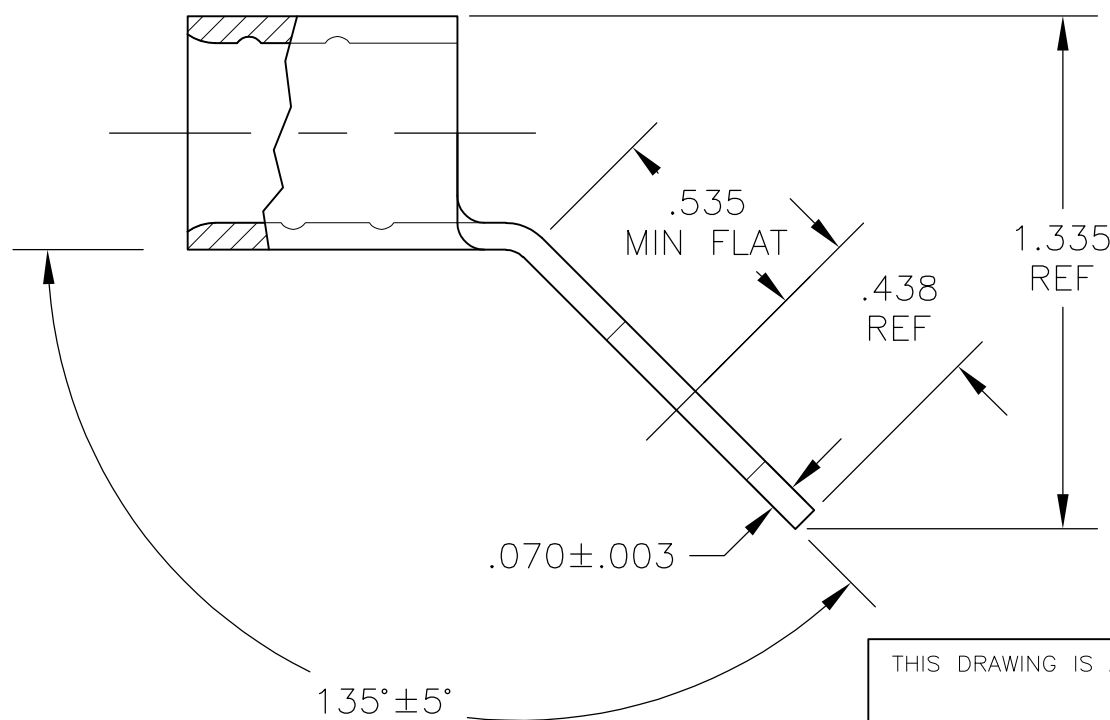
LOC	DIST	REVISIONS					
		P	LTR	DESCRIPTION	DATE	DWN	APVD
G	05		B1	REV PER ECR 10-016092	09AUG10	JR	TM

AMP
WIRE RANGE

1/0 AWG
STRANDED



- 1 STAMP AMP 1/0W* APPROX AS SHOWN
- 2 NICKEL PLATE .000300 MIN THK PER SAE-AMS-QQ-N-290.
- 3 MATERIAL, COPPER PER ASTM B-152, ANNEALED.



696759-1
PART NUMBER

THIS DRAWING IS A CONTROLLED DOCUMENT.		DWN jr_ruth 24SEPT09	Tyco Electronics Corporation Harrisburg, PA 17105-3608												
DIMENSIONS: INCHES		CHK TOM MICHIELUTTI 24SEPT09	NAME TERMINAL, RING TONGUE, STRATO-THERM, BENT 45												
TOLERANCES UNLESS OTHERWISE SPECIFIED:		APVD TOM MICHIELUTTI 24SEPT09	APPLICATION SPEC												
<table border="0"> <tr><td>0 PLC</td><td>± -</td></tr> <tr><td>1 PLC</td><td>± -</td></tr> <tr><td>2 PLC</td><td>± -</td></tr> <tr><td>3 PLC</td><td>± .005</td></tr> <tr><td>4 PLC</td><td>± -</td></tr> <tr><td>ANGLES</td><td>± -</td></tr> </table>		0 PLC	± -	1 PLC	± -	2 PLC	± -	3 PLC	± .005	4 PLC	± -	ANGLES	± -	SIZE A3	
0 PLC	± -														
1 PLC	± -														
2 PLC	± -														
3 PLC	± .005														
4 PLC	± -														
ANGLES	± -														
MATERIAL - 3		CAGE CODE 00779													
FINISH - 2		DRAWING NO G-696759													
CUSTOMER DRAWING		RESTRICTED TO													
SCALE 2:1		SHEET 1 OF 1													
		REV B1													