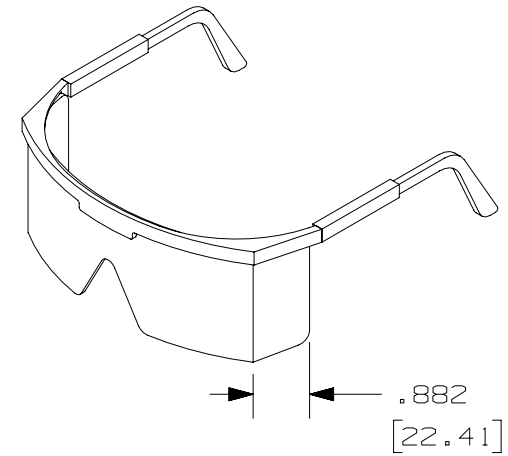
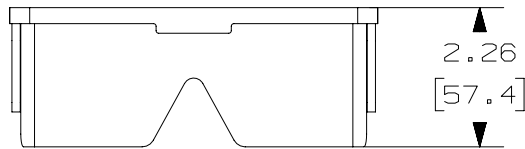
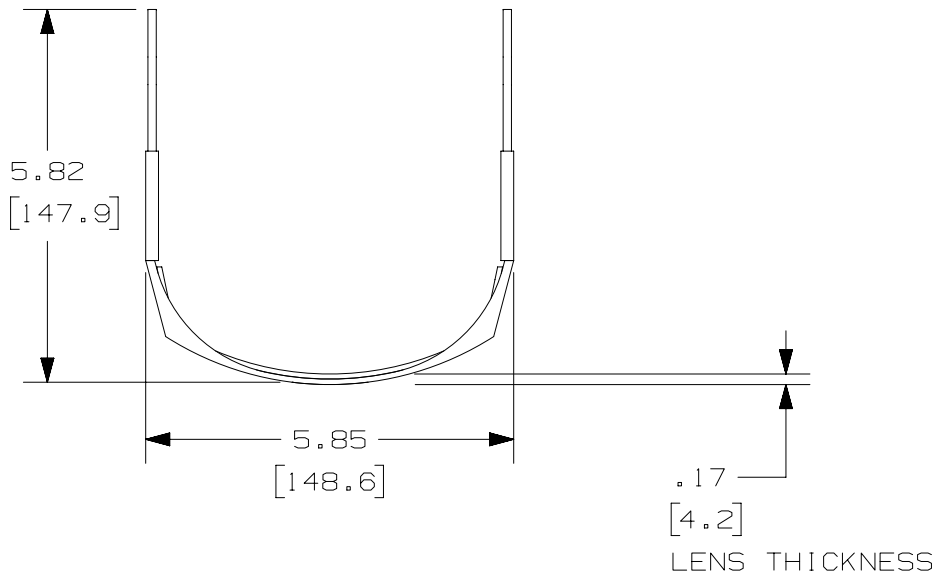


THIS COPY IS PROVIDED ON A RESTRICTED BASIS AND IS NOT TO BE USED IN ANY WAY DETRIMENTAL TO THE INTERESTS OF PANDUIT CORP.

PANDUIT P/N	WEIGHT
FGLS	.068 LB/EA 30.65 g/EA

NOTES:

- SEE CURRENT CATALOG FOR ADDITIONAL PART SUFFIXES TO INDICATE PACKAGE QUANTITY.
- SAFETY GLASSES ARE TO BE USED FOR EYE PROTECTION.
- DIMENSIONS IN [ ] ARE IN METRIC.



PART NUMBER		FGLS	
TITLE			
SAFETY GLASSES WITH SIDEGUARDS			
CUSTOMER DRAWING			
ITEM REVISION NAME		D35560EU/00	
DATASET FILE NAME		D35560EU_DC/00B	
UNLESS OTHERWISE SPECIFIED, DIMENSIONAL TOLERANCES ARE: IN [ mm ]		MATERIAL:	
.x ± .xxx ± .010 [ .3 ]		DRAWING NUMBER:	
.xx ± .03 [ .8 ]		35560 - 98	
THIRD ANGLE PROJECTION		SHT 1 OF 1	
DRAWN BY	DATE	CHK	SCALE
JBA	07-01-97	CEF	NONE
REV	DATE	BY	CHK
2	3/3/15	JSP	WJM
3		RWB	
DESCRIPTION		ECN	
A. UPDATED DRAWING TITLE BLOCK.		35560-98	

REV	DATE	BY	CHK	APR	DESCRIPTION	ECN
2	3/3/15	JSP	WJM	RWB	A. UPDATED DRAWING TITLE BLOCK.	35560-98

D101000DA/14