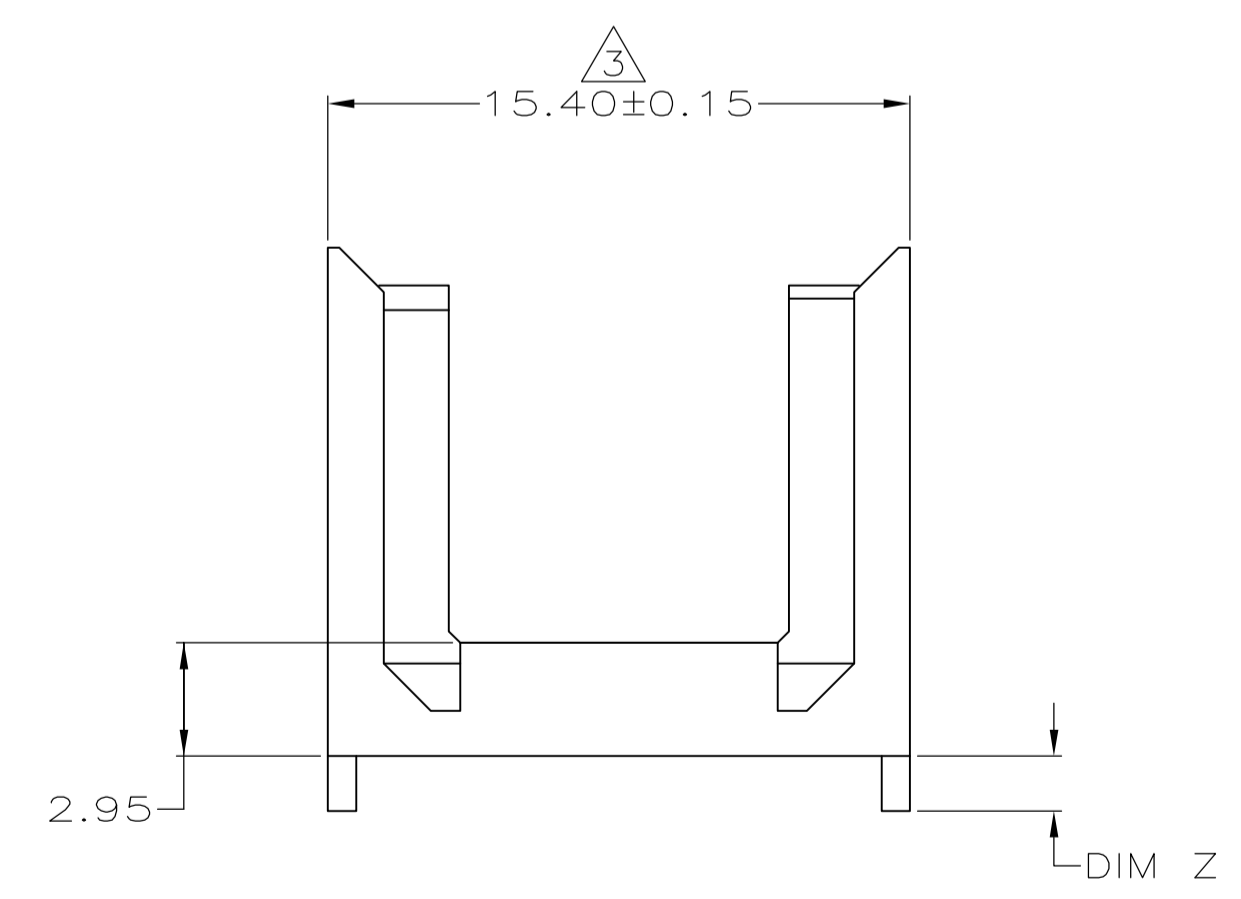
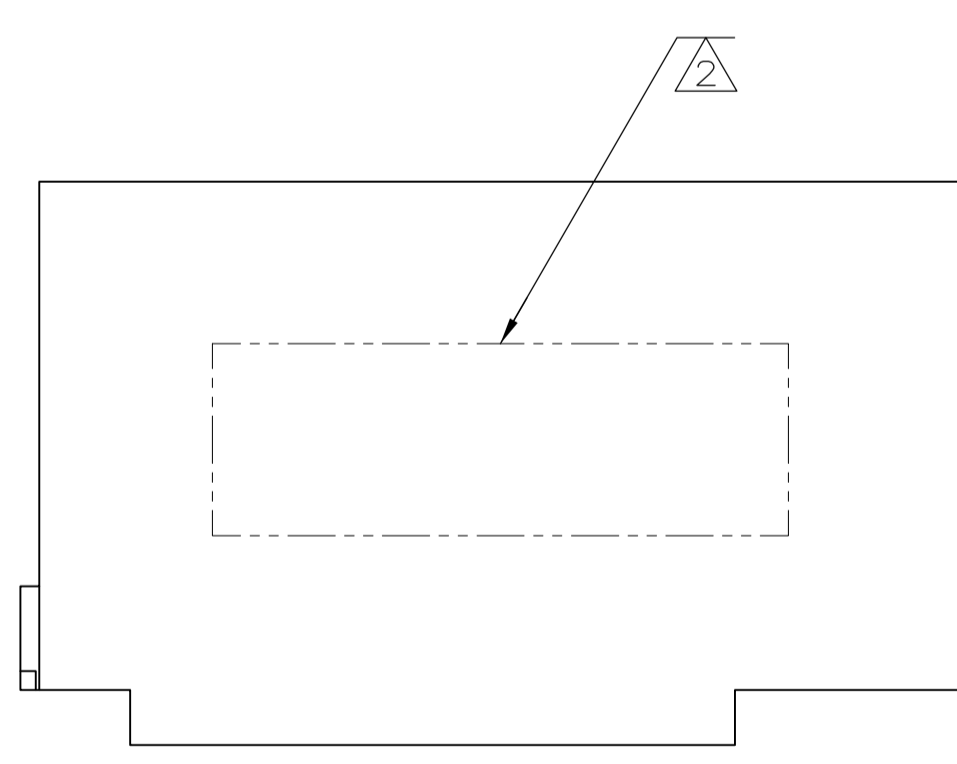
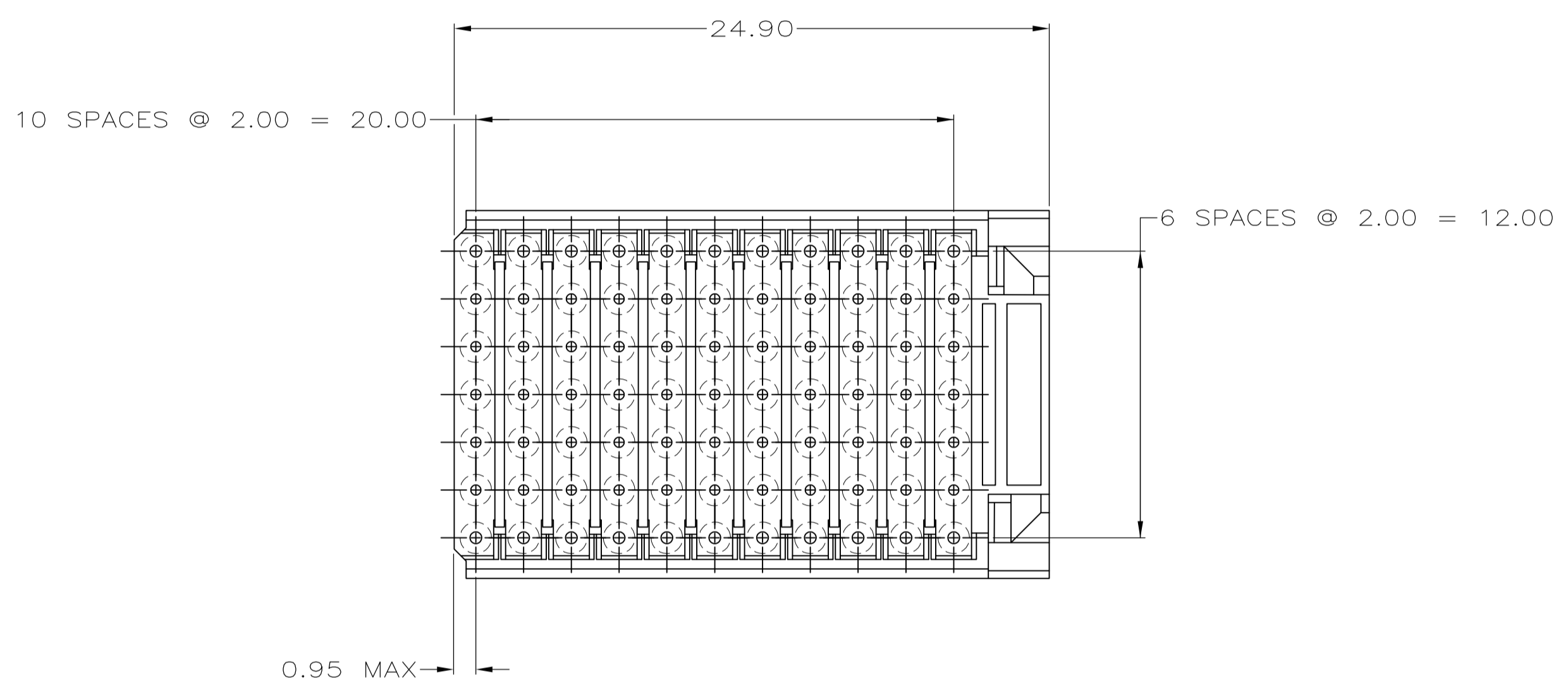
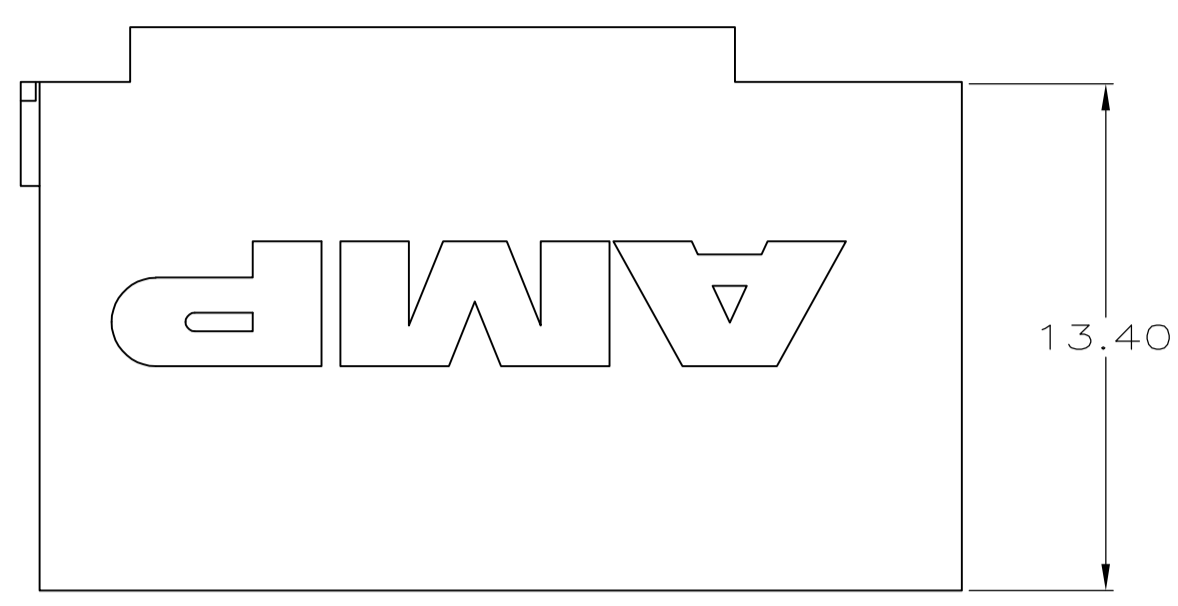


LOC		DIST		REVISIONS			
AD	47	SP	LTR	DESCRIPTION	DATE	DWN	APVD
		C		REV PER EC 0U1B-0192-01	27 JUN 01	BC	RP
		C1		REVISED PER ECO-10-000443	15JAN10	KK	AEG
		D		ECR-10-019054	15SEP10	DP	MQW

- ① MATERIAL: GLASS FILLED POLYESTER.
- ② PART NUMBER MARKED IN APPROXIMATE AREA SHOWN.
- ③ TO BE MEASURED AT BASE OF SHROUD.
- ④ OBSOLETE PARTS: OBSOLETE CIS STREAMLINING PER D.RENAUD/D.SINISI



④ OBSOLETE	1.90	646480-7
④ OBSOLETE	1.70	646480-6
	1.50	646480-5
	1.30	646480-4
④ OBSOLETE	1.10	646480-3
	0.90	646480-2
		646480-1
	DIM Z	PART NUMBER

THIS DRAWING IS A CONTROLLED DOCUMENT		DWN	T. SHUEY	6-16-98
		CHK	G. SKIPPER	11-23-98
		APVD	G. SKIPPER	11-23-98
		NAME	AMP Incorporated Harrisburg, PA 17105-3608	
DIMENSIONS:		PRODUCT SPEC		
mm		APPLICATION SPEC		
TOLERANCES UNLESS OTHERWISE SPECIFIED:		WEIGHT		
0-PLC	±	-		
1-PLC	±	-		
2-PLC	±0.05	-		
3-PLC	±0.2	-		
4-PLC	±	-		
ANGLES	±	-		
MATERIAL	FINISH	SIZE	CAGE CODE	DRAWING NO
①		A100779	C=	646480
CUSTOMER DRAWING		RESTRICTED TO	-	
		SCALE	5:1	SHEET 1 OF 1