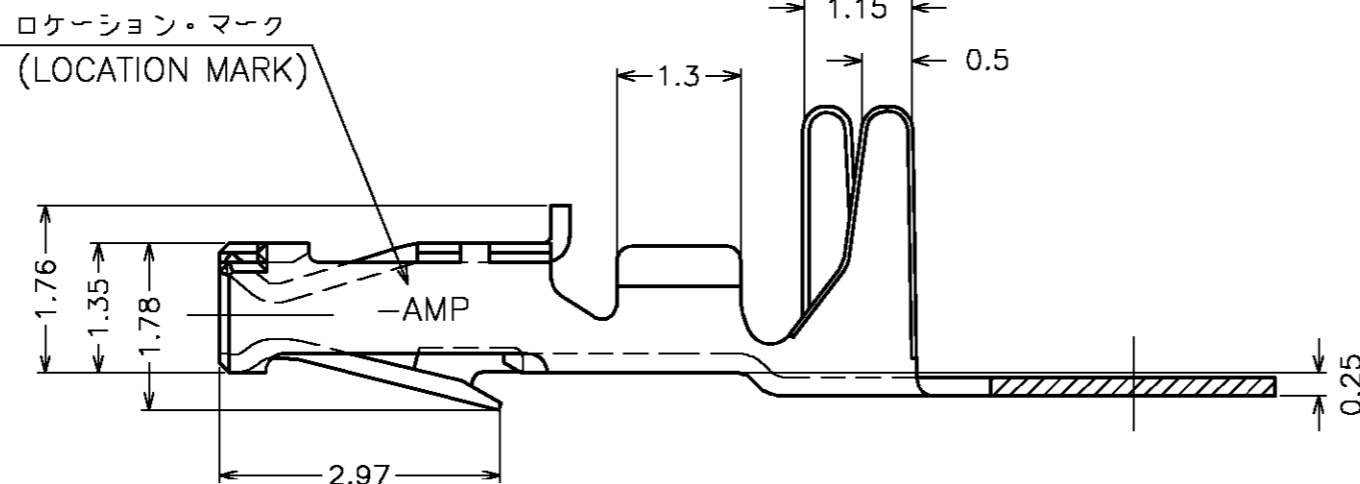
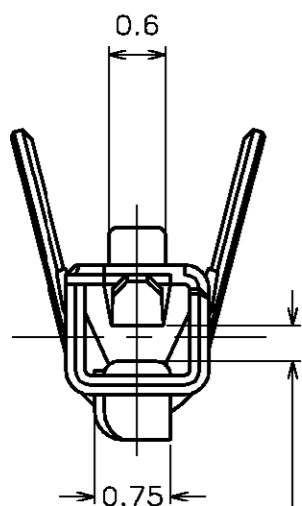
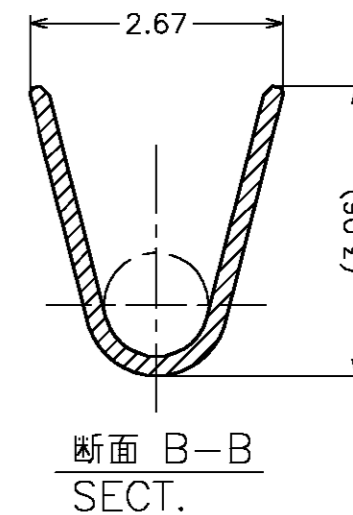
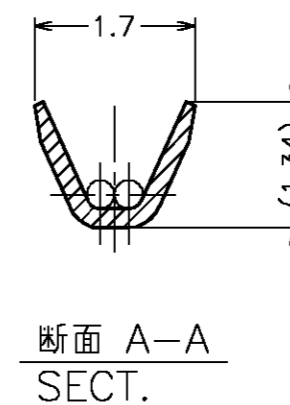
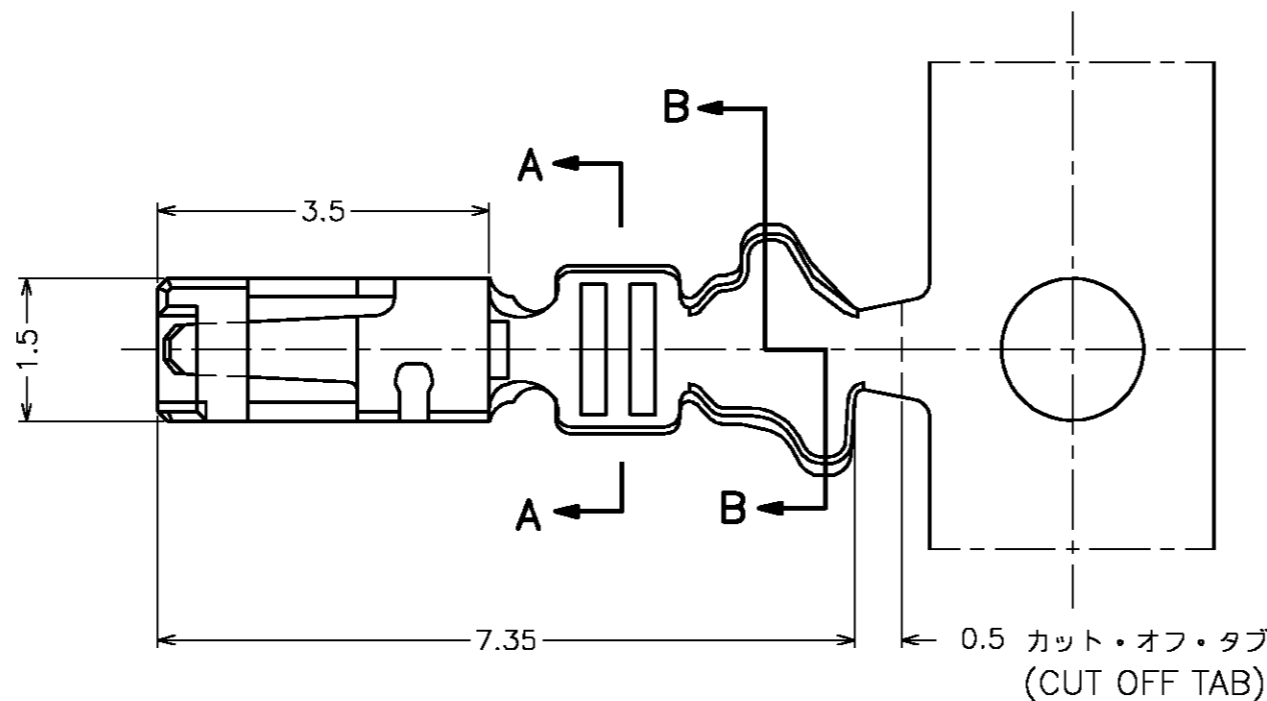


THIS DRAWING IS UNPUBLISHED. RELEASED FOR PUBLICATION AUG 29 .
 © COPYRIGHT 2000 BY TYCO ELECTRONICS CORPORATION. ALL RIGHTS RESERVED.

LOC	DIST	REVISIONS						
		P	LTR	DESCRIPTION	DATE	DWN	APVD	
J		O		作成 (RELEASED)	FJ00-0200-01	29.AUG.'00	M.S	Y.K



0.5t ポストに嵌合 (MATING FOR 0.5t POST)

1376174-1	
型番 (P/N)	
WIRE RANGE 総合電線断面積 AWG#28~#24 0.086~0.14 SQmm	INSULATION DIA 被覆外径 0.9~1.7 mm

THIS DRAWING IS A CONTROLLED DOCUMENT.		DWN M.SUZUKI 29.AUG.'00	AMP Tyco Electronics AMP K.K. Kawasaki, Japan
DIMENSIONS: 単位: 概 MM		CHK Y.KASHIWA 29.AUG.'00	
TOLERANCES UNLESS OTHERWISE SPECIFIED: 一般公差		APVD Y.KASHIWA 29.AUG.'00	NAME 名称 BACK LIGHT CONN.REC.CONT. M-TYPE
0 PLQ ± 0.2		PRODUCT SPEC 製品規格 108-5706	リセ・コンタクト M-タイプ
1 PLC ±		APPLICATION SPEC 取付適用規格 114-5294	SIZE A3
2 PLC ±		WEIGHT	CAGE CODE 00779
3 PLC ±		CUSTOMER DRAWING	DRAWING NO 番号 C-1376174
4 PLQ ±			RESTRICTED TO
ANGLES ± 3°			SCALE 尺度 12:1
MATERIAL 材料 鍍めつき済み燐青銅 (PRE-TIN PHOS BRO)	FINISH 仕上		SHEET 1 OF 1
			REV 0