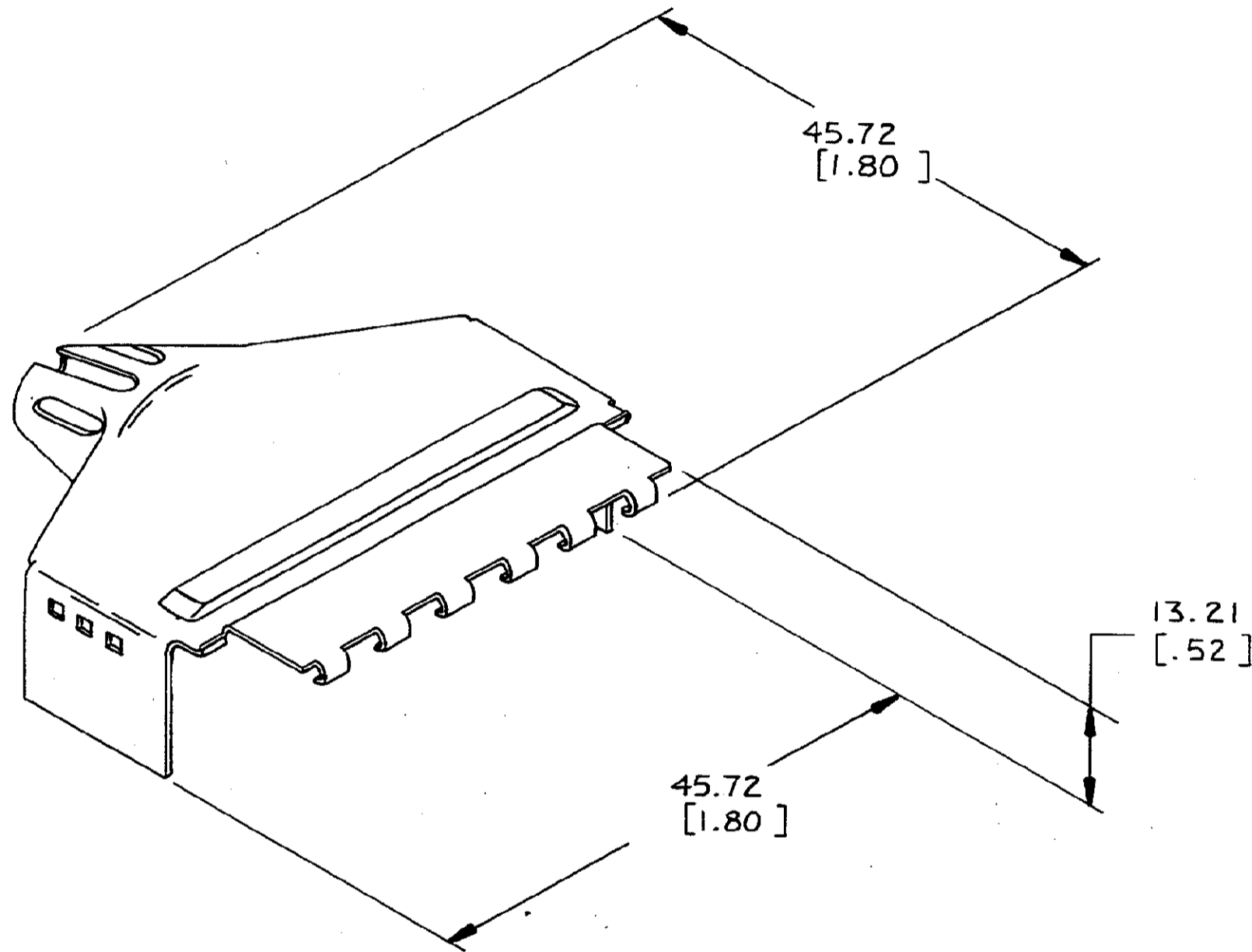


THIS DRAWING IS UNPUBLISHED. RELEASED FOR PUBLICATION . 19
© COPYRIGHT 19 BY AMP INCORPORATED, HARRISBURG, PA. ALL INTERNATIONAL RIGHTS RESERVED. AMP PRODUCTS MAY BE COVERED BY U.S. AND FOREIGN PATENTS AND/OR PATENTS PENDING.

REVISIONS				DATE	APPROVED
P	F	ZONE	LTR	DESCRIPTION	
0	2			RLSD; NPI C83-144	9-8-83 SP

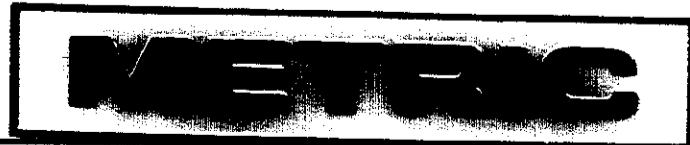
1. DIMENSIONS IN BRACKETS [] ARE IN INCHES.
2. CABLE RANGE: .250-.500 DIA.



554256-1 AS SHOWN

PART NO

UNLESS OTHERWISE SPECIFIED DIMENSIONS ARE IN MM TOLERANCES ON: DECIMALS = ANGLES =	CONTRACT NO	AMP AMP INCORPORATED Harrisburg, Pa. 17105	
	DR <i>S. Pozobanek 9-8-83</i>	NAME	
	CHK <i>MD [unclear] 9-9-83</i>	SHIELD, OUTSIDE, EMI, 180° PLUG, 36 POSITION	
	MATERIAL CARBON STEEL	APPD <i>Wayne Peels 9/15/83</i>	APPD
FINISH BRIGHT NICKEL PLATE	DSGN APPD	SIZE C	FSCM NO 00779
	OTHER APPD	DRAWING NO 554256	
		SCALE 2:1	SHEET 1 OF 1



554256

CUSTOMER DRAWING