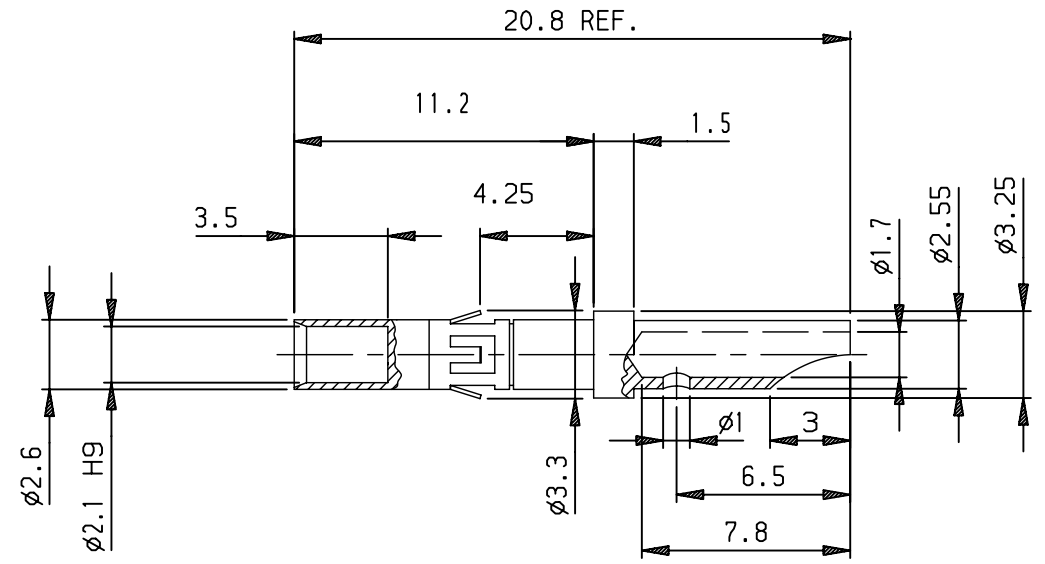
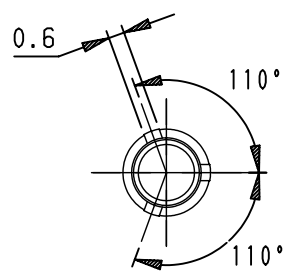


LEAD-FREE P/N	
85971-001LF	SOLDER TO WIRE



Copyright FCI.

NOTES:

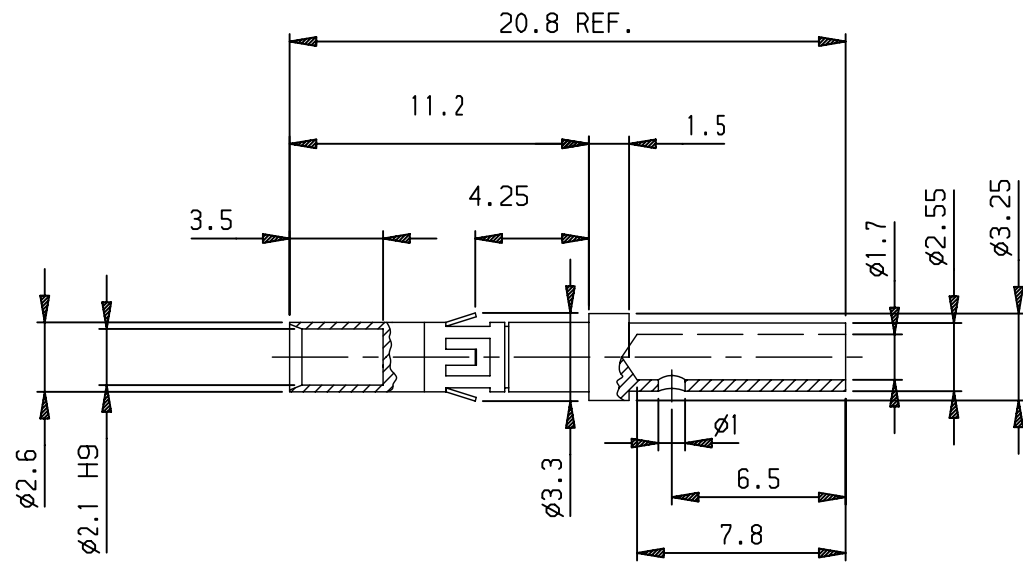
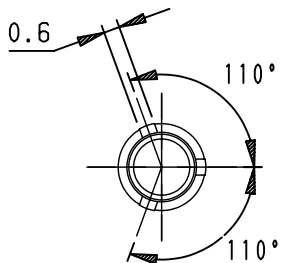
1. THIS PRODUCT WITH "LF" SUFFIX MEETS EUROPEAN UNION DIRECTIVES AND OTHER COUNTRY REGULATIONS AS DESCRIBED IN GS -22-008.
2. THE PRODUCT IS NOT INTENDED TO BE EXPOSED TO A MANUFACTURING SOLDER PROCESS.
3. PACKAGING SPEC: SEE GS-14-920

European Views

www.fciconnect.com		surface ISO 1302	<input checked="" type="checkbox"/>	tolerance std ISO 406 ISO 1101	projection ISO 1101	mm
TOLERANCES UNLESS OTHERWISE SPECIFIED						
Dr	GOISNARD	2006/03/06	ANGULAR	0.X	±0.1	size A3
Eng	GOISNARD	2006/03/06	LINEAR	0.XX	±0.1	Scale 5
Chr	LEGARE	2006/03/06	0.XX' ±2'	0.XXX	±0.1	ECN LS08-0057
Appr	LEGARE	2006/03/06	Product family	METRAL		Spec ref -
FCI		title MINI POWER CABLE CONTACT			dwg no 85971	Rev. F
catalog no		-			CUSTOMER	sheet 1 of 2

rev	ecn no	dr	date
D	LS06-0022	LGO	2006/03/06
E	LS07-0214	LGO	2007/08/20
F	LS08-0057	LGO	2008/02/18
-	-	-	-
-	-	-	-
-	-	-	-

LEAD-FREE P/N	
85971-002LF	CRIMP TO WIRE



NOTES:

1. THIS PRODUCT WITH "LF" SUFFIX MEETS EUROPEAN UNION DIRECTIVES AND OTHER COUNTRY REGULATIONS AS DESCRIBED IN GS-22-008.
2. THE PRODUCT IS NOT INTENDED TO BE EXPOSED TO A MANUFACTURING SOLDER PROCESS.
3. PACKAGING SPEC: SEE GS-14-920

European Views

www.fciconnect.com		surface ISO 1302	<input checked="" type="checkbox"/>	tolerance std ISO 406 ISO 1101	projection 	mm
TOLERANCES UNLESS OTHERWISE SPECIFIED						
Dr	GOISNARD	2006/03/06	ANGULAR	0.X	±0.1	size A3
Eng	GOISNARD	2006/03/06	LINEAR	0.XX	±0.1	Scale 5
Chr	LEGARE	2006/03/06	0.XX' ±2'	0.XXX	±0.1	ECN LS08-0057
Appr	LEGARE	2006/03/06	Product family	METRAL		Spec ref -
	title MINI POWER CABLE CONTACT		dwg no 85971		Rev. F	
catalog no		-		CUSTOMER		sheet 2 of 2

Copyright FCI.