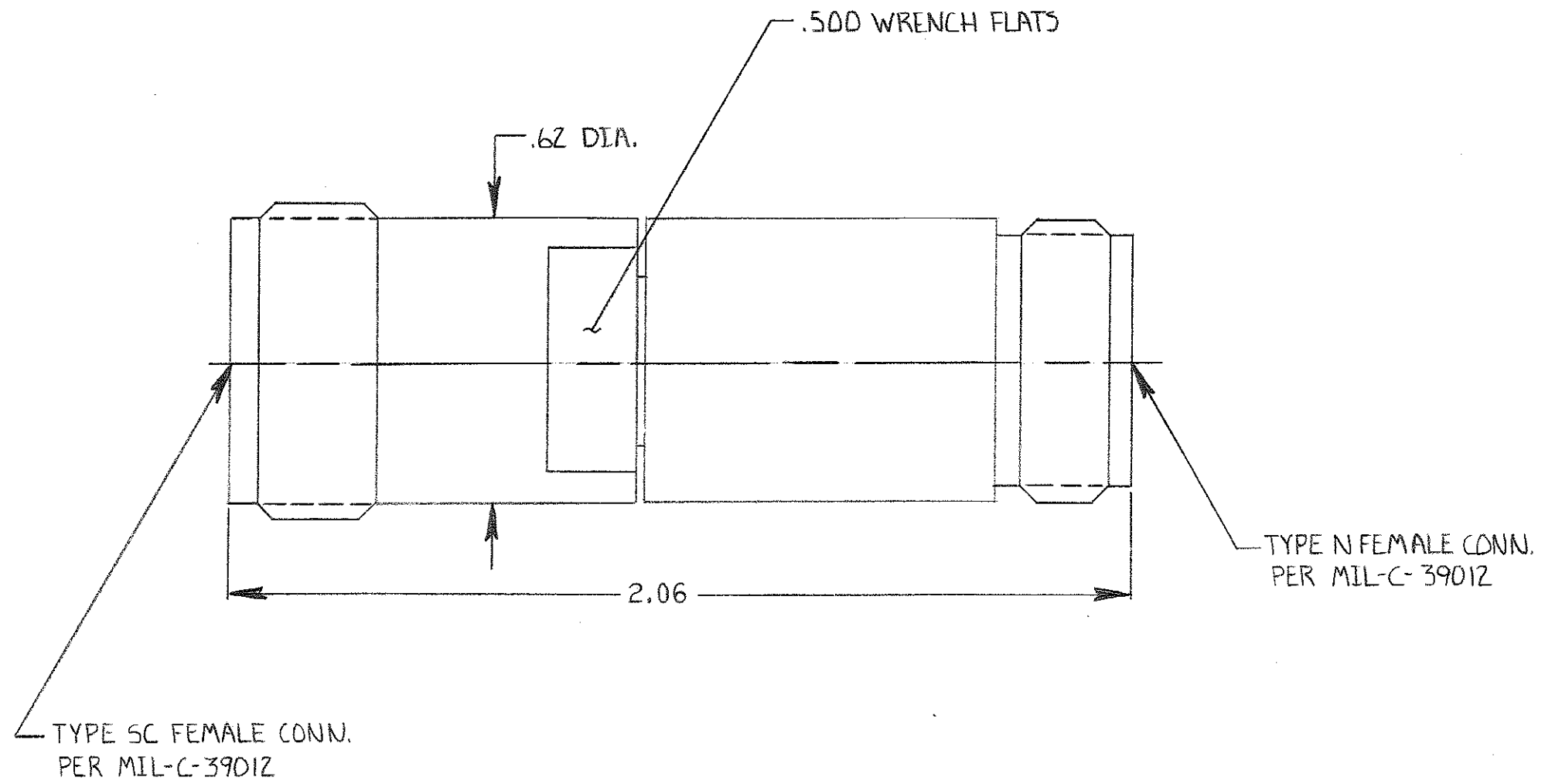


NOTES:

- 1.0 ELECTRICAL SPECIFICATIONS:
- 1.1 FREQUENCY RANGE: 2 to 8 GHz
- 1.2 VSWR: $\leq 1.10:1$

DRAWING NUMBER
ADT-2639-NF-SCF-02
REV.
A



REV	DESCRIPTION	DATE
-	RELEASED	
-1	UPDATE MDD, ND	2-21-91
A	ECN 12378	1-20-93

UNLESS OTHERWISE NOTED DIMENSIONS ARE IN INCHES AND AFTER PLATING TOLERANCES ARE: 3 PLACE DECIMALS $\pm .005$ 2 PLACE DECIMALS $\pm .02$ FRACTIONS $\pm 1/64$ PARALLELITY: T.I.R. _____ FLATNESS: T.I.R. _____ CONCENTRICITY: T.I.R. _____ ANGLES AND PERPENDICULARITY: $\pm 1^\circ$		MIDWEST MICROWAVE	
DRAWN/DATE 9-28-90 Dud E.		TITLE ADAPTER	
CHECKED/DATE AS 9-28-90			
ENG./DATE Ac 9-28-90		MODEL NUMBER	
APPROVED/DATE		ADT-2639-NF-SCF-02	
FSC# NL 34078		SCALE: 3:1	
NOTICE: The information contained in this drawing is proprietary and must not be used without the permission of Midwest Microwave.		SHEET 1 of 1	