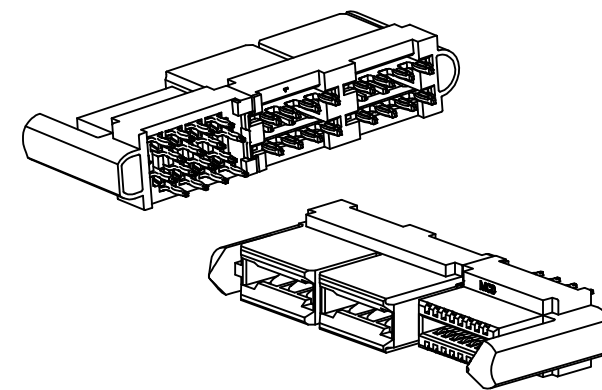
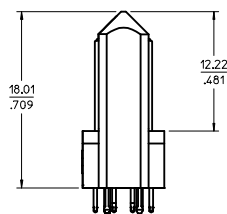
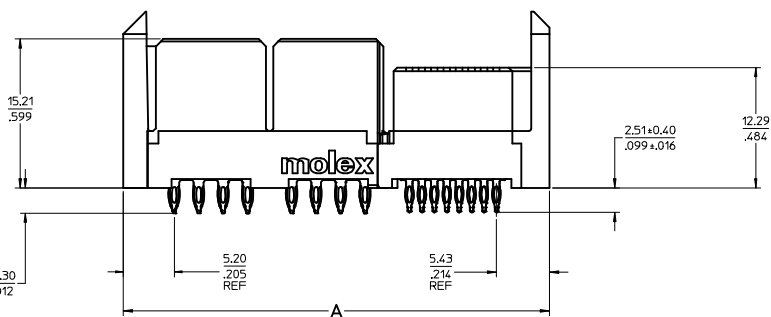
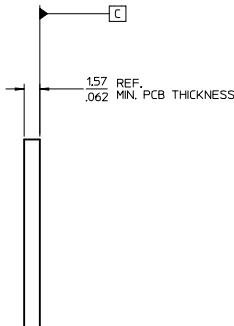
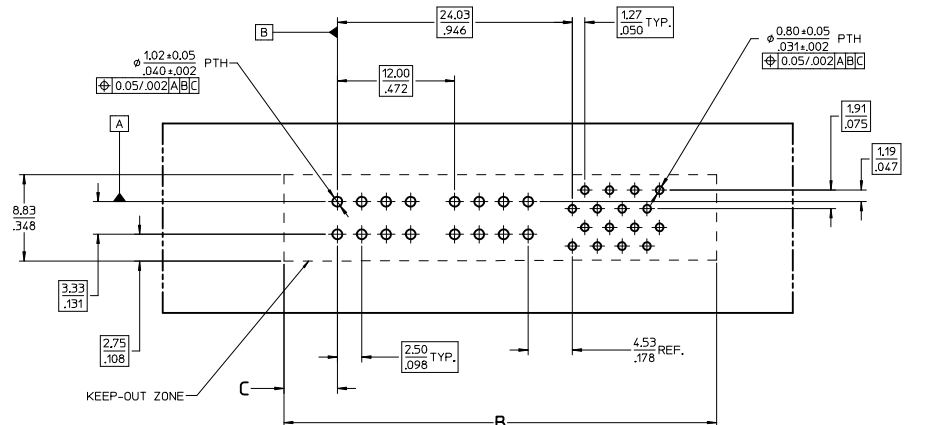


| NO OF SIGNALS | MATERIAL NUMBER | COMPLIANT PIN PLATING | DIM A | DIM B | DIM C |
|---------------|-----------------|-----------------------|-------------|-------------|----------|
| 12 | 46114-4120 | TIN | 41.01/1.615 | 41.51/1.634 | 5.45/215 |
| 16 | 46114-4160 | TIN | 43.55/1.715 | 44.05/1.734 | |
| 20 | 46114-4200 | TIN | 46.09/1.815 | 46.59/1.834 | |
| 24 | 46114-4240 | TIN | 48.63/1.915 | 49.13/1.934 | |
| 28 | 46114-4280 | TIN | 51.17/2.015 | 51.67/2.004 | |
| 32 | 46114-4320 | TIN | 53.71/2.115 | 54.21/2.134 | |
| 36 | 46114-4360 | TIN | 56.25/2.215 | 56.75/2.234 | |
| 40 | 46114-4400 | TIN | 58.79/2.315 | 59.29/2.334 | |



MATERIAL # 46114-4160 SHOWN

- NOTES:
1. MATERIAL: HOUSING: LCP, 94-V0, COLOR: BLACK.
POWER CONTACTS: COPPER ALLOY.
SIGNAL CONTACTS: MODIFIED TIN BRASS.
 2. FINISH: SELECT GOLD - 0.75 μM/30 μ INCHES
SELECTED TIN - 2.50 μM/100 μ INCHES
BOTH OVER NICKEL - 1.25 μM/50 μ INCHES
 3. POWER TERMINALS ARE LUBRICATED IN CONTACT AREA.
 4. PARTS ARE RHIS COMPLIANT.
 5. MATES TO MOLEX P/N 45985-SERIES OR CARD EDGE 1571.062.
 6. PRODUCT SPECIFICATION PS-46114-001.
 7. PACKAGING: PER PK-46114-003.

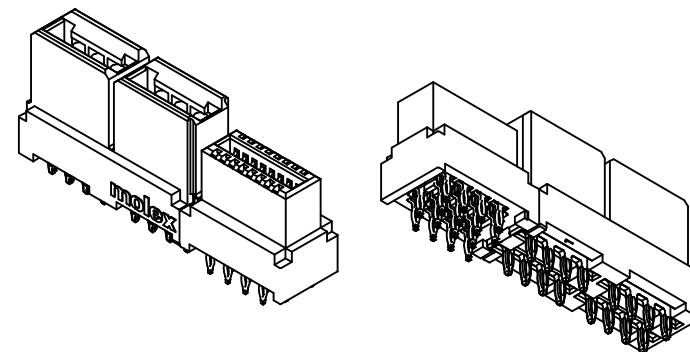
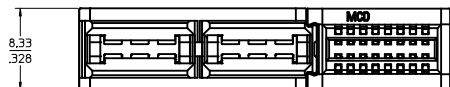


PCB COMPONENT SIDE
SCALE 4:1

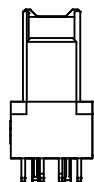
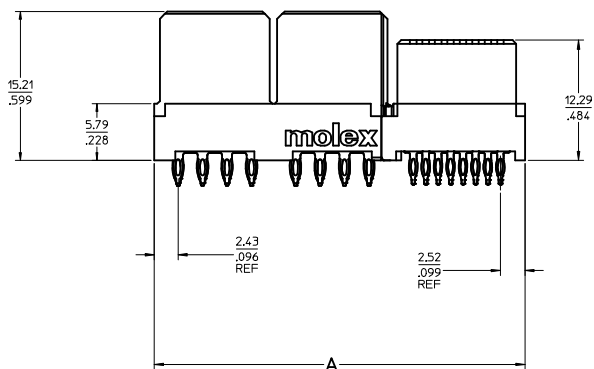
| QUALITY SYMBOLS | GENERAL TOLERANCES (UNLESS SPECIFIED) | | DIMENSION STYLE | | SCALE | DESIGN UNITS | THIRD ANGLE PROJECTION |
|---|---------------------------------------|-------|-----------------|------------|--------------|--------------|---|
| | mm | INCH | MM/IN | DATE | | | |
| ▽=0 | 4 PLACES ±--- | ±--- | DRAWN BY | DATE | 4:1 | METRIC | LPH VERTICAL RECEPTACLE ASSEMBLY 4 CIRCUIT PWR CONNECTOR, PRESS FIT |
| ▽=0 | 3 PLACES ±--- | ±.010 | MKARADIMAS | 07/18/07 | | | |
| ▽=0 | 2 PLACES ±0.25 | ±--- | CHECKED BY | DATE | moLEX | | |
| ▽=0 | 1 PLACE ±--- | ±--- | APATEL | 07/20/07 | | | |
| ▽=0 | 0 PLACE ± | ± | APPROVED BY | DATE | SD-46114-400 | | |
| | | | JCOMERCI | 2009/12/03 | | | |
| ANGULAR ±1/2° | | | MATERIAL NO. | | DOCUMENT NO. | | SHEET NO. |
| DRAFT WHERE APPLICABLE MUST REMAIN WITHIN DIMENSIONS | | | SEE CHART | | SD-46114-400 | | 1 OF 3 |
| THIS DRAWING CONTAINS INFORMATION THAT IS PROPRIETARY TO MOLEX INCORPORATED AND SHOULD NOT BE USED WITHOUT WRITTEN PERMISSION | | | | | | | |

20 19 18 17 16 15 14 13 12 11 10 9 8 7 6 5 4 3 2 1

| NO OF SIGNALS | MATERIAL NUMBER | COMPLIANT PIN PLATING | DIM A | DIM B | DIM C |
|---------------|-----------------|-----------------------|-------------|-------------|-----------|
| 12 | 46114-4121 | TIN | 35.34/1.391 | 35.84/1.411 | 2.691/106 |
| 16 | 46114-4161 | TIN | 37.88/1.491 | 38.38/1.511 | |
| 20 | 46114-4201 | TIN | 40.42/1.591 | 40.92/1.611 | |
| 24 | 46114-4241 | TIN | 42.96/1.691 | 43.46/1.711 | |
| 28 | 46114-4281 | TIN | 45.50/1.791 | 46.00/1.811 | |
| 32 | 46114-4321 | TIN | 48.04/1.891 | 48.54/1.911 | |
| 36 | 46114-4361 | TIN | 50.58/1.991 | 51.08/2.011 | |
| 40 | 46114-4401 | TIN | 53.12/2.091 | 53.62/2.111 | |



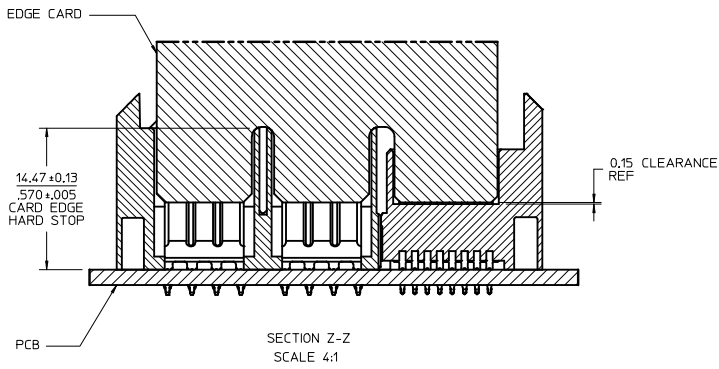
MATERIAL # 46114-4161 SHOWN



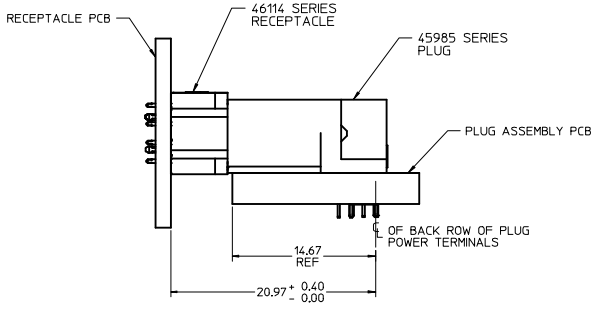
| | | | | | | | | |
|---|--|--------------------------------------|---|---|---|--|--|---|
| SEE SHEET 1 ELEC NO: S2017-0362 DRAWN BY: DRWNLIN06 CHKD: JZENG APPR: KHLIN | 2016/12/15 2016/12/21 2016/12/21 | QUALITY SYMBOLS ∇=0 ∇=0 ∇=0 | GENERAL TOLERANCES (UNLESS SPECIFIED) | | DIMENSION STYLE MM/IN | SCALE 4:1 | DESIGN UNITS METRIC | THIRD ANGLE PROJECTION |
| | | | 4 PLACES ±.010 3 PLACES ±.010 2 PLACES ±0.25 1 PLACE ±.010 0 PLACE ±.010 | mm INCH ±.010 ±.010 ±.010 ±.010 | DRAWN BY: MKARADI MAS CHECKED BY: APATEL APPROVED BY: JCOMERC I | DATE: 07/18/07 DATE: 07/20/07 DATE: 2009/12/03 | TITLE: LPH VERTICAL RECEPTACLE ASSEMBLY 4 CIRCUIT PWR CONNECTOR, PRESS FIT | MATERIAL NO: SEE CHART DOCUMENT NO: SD-46114-400 |
| DRAFT WHERE APPLICABLE MUST REMAIN WITHIN DIMENSIONS | | | THIS DRAWING CONTAINS INFORMATION THAT IS PROPRIETARY TO MOLEX INCORPORATED AND SHOULD NOT BE USED WITHOUT WRITTEN PERMISSION | | | | | |

19 18 17 16 15 14 13 12 11 10 9 8 7 6 5 4 3 2 1

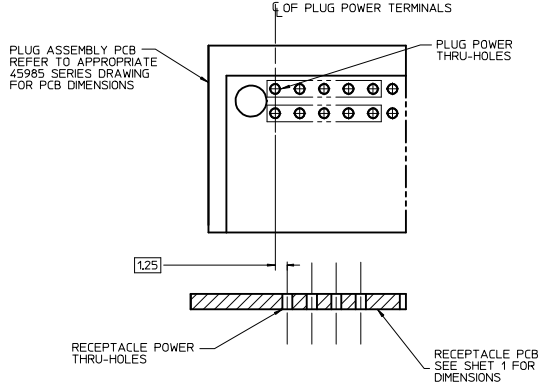
| NO OF SIGNAL | DIM. D |
|--------------|------------|
| 12 | 8.00/315 |
| 16 | 10.54/415 |
| 20 | 13.08/515 |
| 24 | 15.62/615 |
| 28 | 18.16/715 |
| 32 | 20.70/815 |
| 36 | 23.24/915 |
| 40 | 25.78/1015 |



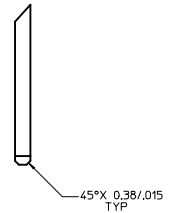
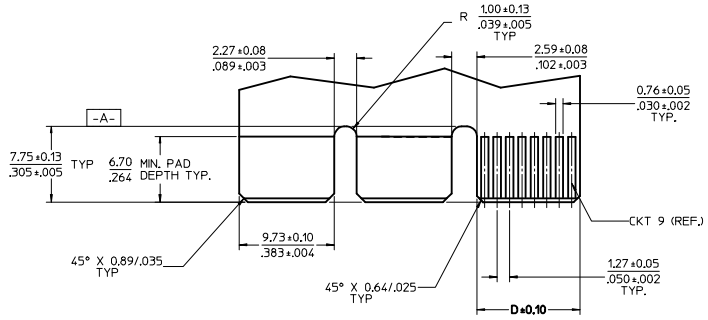
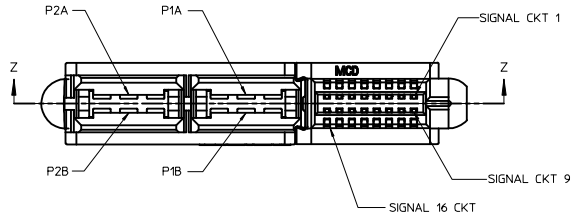
CARD EDGE MATING



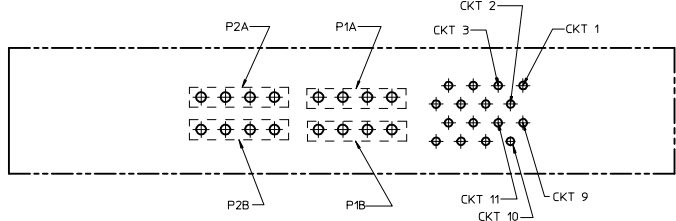
PLUG ASSEMBLY MATING



ASSEMBLY PCB ALIGNMENT



RECOMMENDED EDGE CARD LAYOUT
EDGE CARD THICKNESS: 1.57/0.62 ± 0.15/0.06
PLATING: GOLD 30 μ INCHES MIN.
OVER 150 μ INCHES NICKEL.



PCB LAYOUT: COMPONENT SIDE
SEE SHT 1 FOR DIMENSIONS

| | | | | | | | |
|--|---|--|------------------------------|---|----------------------------------|--|---------------------------|
| SEE SHEET 1 ELEC NO: SZ017-0362 DRAWN BY: CHD/JZNG CHECKED BY: APPROX/KLM DATE: 2016/12/15 DATE: 2016/12/21 DATE: 2016/12/21 | QUALITY SYMBOLS | GENERAL TOLERANCES (UNLESS SPECIFIED) | DIMENSION STYLE | SCALE | DESIGN UNITS | THIRD ANGLE PROJECTION | |
| | ∇=0 ∇=0 ∇=0 | 4 PLACES ± --- ± --- 3 PLACES ± --- ± .010 2 PLACES ± 0.25 ± --- 1 PLACE ± --- ± --- 0 PLACE ± ± | MM/INCH 4:1 METRIC | DRAWN BY: MKARADIMAS CHECKED BY: APATEL APPROVED BY: JCOMERCI DATE: 07/18/07 DATE: 07/20/07 DATE: 2009/12/03 | DATE: 07/18/07 DATE: 07/20/07 | TITLE: LPH VERTICAL RECEPTACLE ASSEMBLY 4 CIRCUIT PWR CONNECTOR, PRESS FIT | MATERIAL NO. SEE CHART |
| | ANGULAR ±1/2° DRAFT WHERE APPLICABLE MUST REMAIN WITHIN DIMENSIONS | MATERIAL NO. SD-46114-400 | DOCUMENT NO. SD-46114-400 | SHEET NO. 3 OF 3 | | | |
| | THIS DRAWING CONTAINS INFORMATION THAT IS PROPRIETARY TO MOLEX INCORPORATED AND SHOULD NOT BE USED WITHOUT WRITTEN PERMISSION | | | | | | |