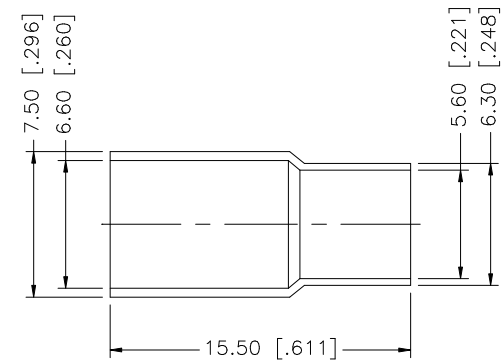
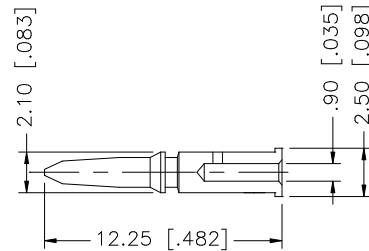
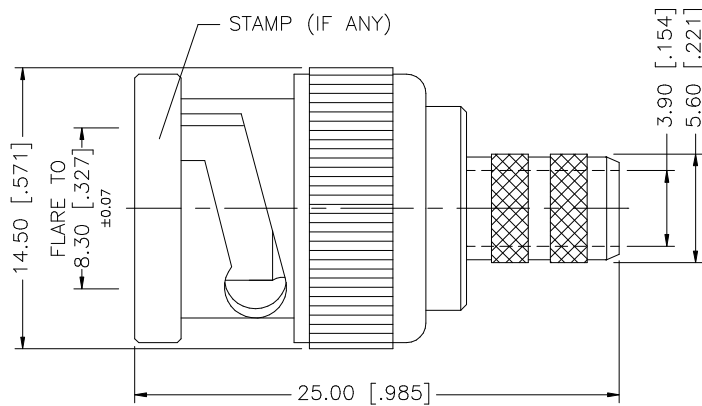
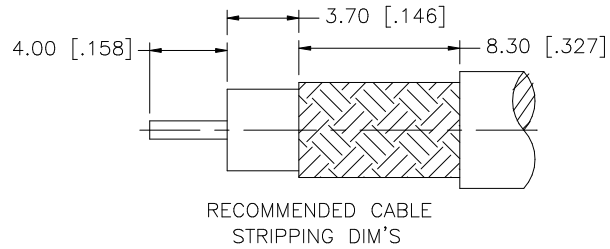


REV.	DATE	DESCRIPTION
A	06/06/05	UPDATE DRAWING FORMAT
B	01/22/07	MODIFY CONTACT PIN I.D. TO 0.9mm



NOTE:

1. CRIMPED FERRULE HEX CRIMP SIZE .255"
2. CRIMPED CONTACT PIN HEX CRIMP SIZE .068"

				UNLESS OTHERWISE SPECIFIED DIMENSIONS ARE IN MILLIMETERS. DIMENSIONS IN [] ARE IN INCHES AND FOR CUSTOMER REFERENCE ONLY.	APPROVALS	DATE	Amphenol Connex					
8				UNLESS OTHERWISE SPECIFIED TOLERANCES FOR MILLIMETERS ARE: 0.5 - 8mm ± 0.20mm 8 - 30mm ± 0.40mm 30 - 120mm ± 0.50mm UNLESS OTHERWISE SPECIFIED TOLERANCES FOR INCHES ARE: .020 - .315 = ± 0.007" .315 - 1.180 = ± 0.015" 1.180 - 4.724 = ± 0.020" DO NOT SCALE DRAWING	DRAWN	G.R.S.					01/22/07	PART DESCRIPTION BNC CRIMP PLUG (FOR RG-59/U 20AWG CONTACT)
7					CHECKED			PART NO. 112544				
6					ISSUED							DWG. NO. 112544.DWG
5	FERRULE	COPPER	NICKEL		1	SHEET	1 OF 1	REV.	B	SIZE	A	
4	GASKET	RUBBER	RED	1								
3	INSULATOR	DELTRIN	NATURAL	1								
2	CONTACT PIN	BRASS	GOLD	1								
1	SHELL/BODY	BRASS	NICKEL	1								
DESCRIPTION				MATERIAL	FINISH	QTY	CAD FILE		C:/112/112544.DWG			