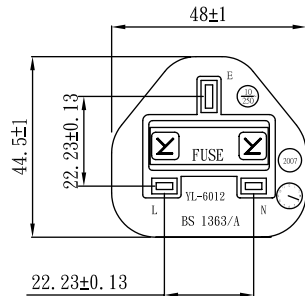


PROPRIETARY INFORMATION:
 PROPRIETARY OF GLOBTEK, INC. ANY REPRODUCTION, DISCLOSURE OR USE OF THIS DRAWING, IN WHOLE OR IN PART, IS HEREBY PROHIBITED EXCEPT AS SPECIFIED IN WRITING BY GLOBTEK, INC.

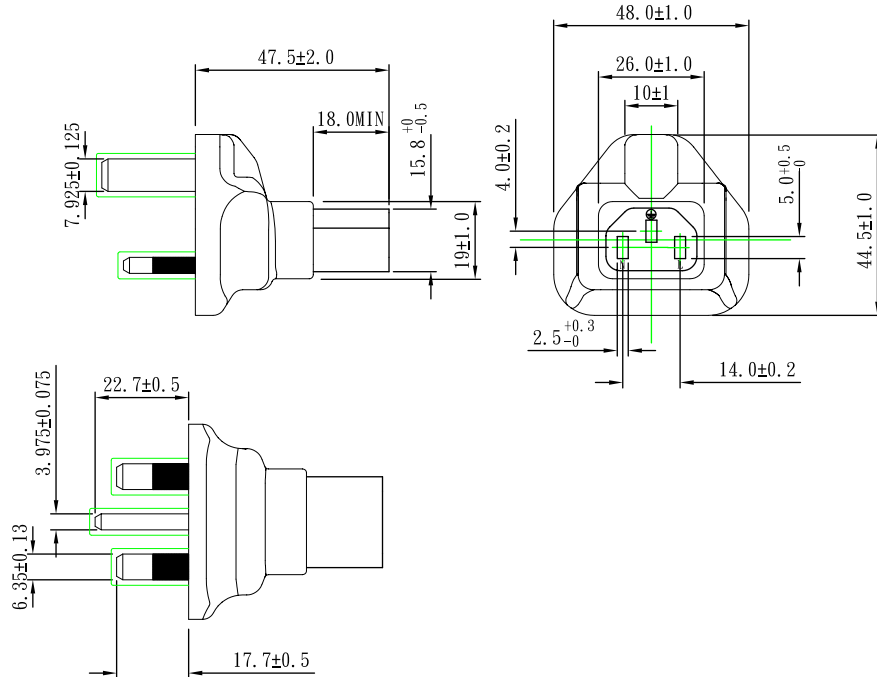
REVISION		DATE	APPROVED
REV	DESCRIPTION		
A	INITIAL RELEASE, RFS.15894, EM	03/26/09	HM



'A'



'B'



GENERAL SPECIFICATIONS:

RATING: 10A / 250V AC
 INSULATION RESISTANCE: 5 MΩ
 DIELECTRIC WITHSTAND VOLTAGE: 3000 V/sec.
 COLOR: BLACK
 MATERIAL: PVC, 94V-0, 50P HARDNESS
 END 'A' TERMINATION: UK PLUG BS1363
 END 'B' TERMINATION: IEC 60320/C13

PACKING:

INDIVIDUAL POLY BAG 110 x 85 x 0.04 mm

LABEL:

25 x 50 mm WHITE LABEL PLACED ON POLYBAG



Foot Note:
 Globtek Inc. will not be liable for the safety and performance of these power product if unauthorized access and repair occurs. End user should consult the applicable UL, CSA or EN Standards for proper installation instruction.

Limitation of Use:
 Globtek product are not authorized for use as mission critical components in life support, hazardous environment, nuclear or aircraft applications without prior written approval from the CEO of Globtek Inc.

Contents of this document are subject to change without prior notice

DASH NO.	PART NO	REV.	DESCRIPTION	NOTES
TABULATION BLOCK				
		TOLERANCES: DECIMALS ANGULAR .xx +/- 0.1 +/- 1° .xxx +/- .005		GlobTek, Inc. www.globtek.com 186 Veterans Dr. Northvale, NJ 07647 Tel. 201-784-1000 Fax 201.784.0111
		MILLIMETERS ANGULAR .xx +/- 0.3 +/- 1° .xxx +/- .013		
INIT.BY: EM	DATE: 03/13/09	DWG TITLE: UK PLUG BS1363 - IEC 60320/C13 PLUG ADAPTOR		
DRAWN: NF	DATE: 03/13/09	FSCN No.: G, YL	SIZE A	MODEL: YL-6012 REV. A
APRVD: HM	DATE: 03/13/09	SCALE: NONE	PART NO: 610-701(R)	SHEET 1/1