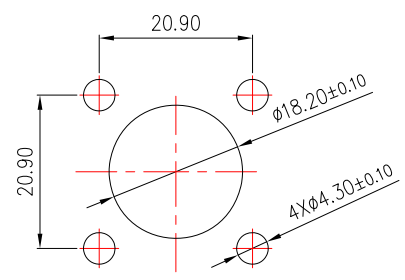
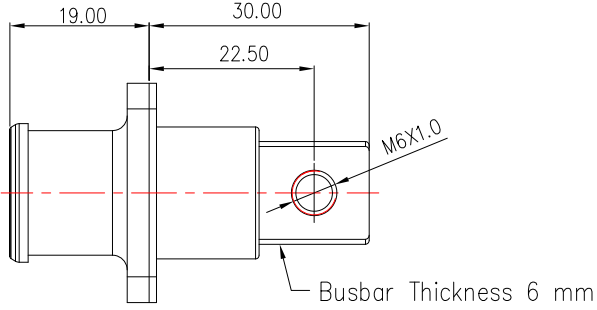
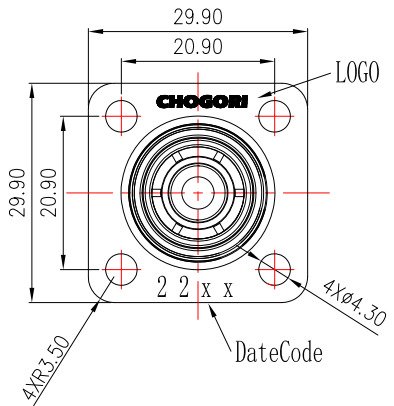


THIS INFORMATION IS CONFIDENTIAL AND IS DISCLOSED TO YOU ON CONDITION THAT NO FURTHER DISCLOSURE IS MADE BY YOU TO OTHER THAN CHOGORI PERSONNEL WITHOUT AUTHORIZATION FROM CHOGORI CORP.

REV.	ECN NO.	DESCRIPTION	SIGN	DATE
C1		Initial Drawing	Robin	2022/05/30



Recommend Panel Cut-out



- Specification:
- 1.Operation Temperature: -40℃~85℃.
 - 2.Insulation Resistance: 100MΩ at DC500V.
 - 3.Contact Resistance: <0.5mΩ.
 - 4.Operating Current: 200A MAX
 - 5.Operating Voltage: 1000V DC
 - 6.Waterproof Rate: IP66 (Mated)
 - 7.Plastic Body: Nylon
 - 8.Male Pin: Copper Alloy, Ag Plated, Busbar
 - 9.Seal Ring: Silicon
 - 10.Busbar Screw: M6*1.0
 - 11.Busbar Thickness 6mm
 - 12.P/N: 901-02983-00 Orange
P/N: 901-02984-00 Black
 - 13.RoHS Compliant.

DateCode:

22 xx

Year: Week:
 22=2022 01=Week First,
 23=2023 02=Week Two,

UNIT: mm	DESCRIPTION NS08 Panel Receptacle		CHOGORI [®]	PART NO 901-0298X-00	DRAWN BY Robin	DATE 2022/05/30
TOLERANCE .X ±0.50 .XX ±0.20 .XXX ±0.10 ANGLES ±1°	SCALE: 1:1	SHEET 1 OF 1		DWG NO	CHECKED BY Ivan	DATE 2022/05/30
REV. C1	SIZE A4	* :Inspection Item		CUSTOMER	APPROVED BY Panson	DATE 2022/05/30