

Flat suction pad (round)

SUF 40 HT1-60 G1/8-IG

Part no...:10.01.01.14111

<https://www.schmalz.com/10.01.01.14111>

Home > Vacuum Technology for Automation > Vacuum Components > Vacuum Suction Cups > Flat Suction Cups (Round) > Flat Suction Cups SUF > SUF 40 HT1-60 G1/8-IG

Flat suction cup (round) for process safe handling of smooth or slightly rough surfaces



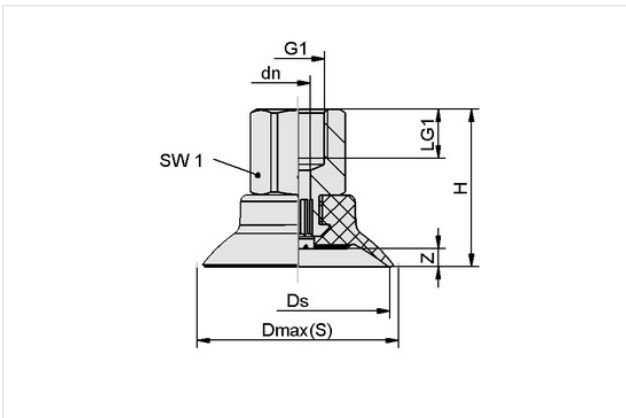
Size: 40

Suction cup material: High temp material HT1

Material hardness [Shore A]: 60 Shore A

Vacuum connection: G1/8"-F

Design Data



Attribute	Value
Dmax(S)	44 mm
Ds	40 mm
dn	6.10 mm
G1	G1/8"-F
H	30 mm
LG1	8 mm
SW1	17 mm
Z (Stroke)	4 mm

Technical Data

Attribute	Value
Suction force (-600mbar)	61 N
Pull-off force	61 N
Volume	3.80 cm ³
Curve radius (min) (convex)	50 mm
Hose diameter (empf.) d	4 mm
Size	40
Suction cup material	High temp material HT1
Material hardness [Shore A]	60 Shore A

Contact Schmalz

Schmalz Inc. | 5850 Oak Forest Drive, Raleigh, NC 27616, United States | +1 (919) 713-0880 | schmalz.us@schmalz.com

Flat suction pad (round)

SUF 40 HT1-60 G1/8-IG

Part no...:10.01.01.14111

<https://www.schmalz.com/10.01.01.14111>

Weight	18.90 g
Product family	SUF
Number of folds	0

Note: Suction force: The specified suction forces are theoretical values at a vacuum of -0.6 bar and with a dry, smooth and flat workpiece surface - they do not include a safety factor
Hose diameter: The recommended hose diameter refers to a hose length of approx. 2 m

Spare parts



SC 050 G1/8-IG

Part no...:10.01.06.04308

Connection geometry: 050

Vacuum connection: G1/8"-F

Fitting length: 14 mm

Nominal diameter dn: 6.1 mm



SUF 40 HT1-60 SC050

Part no...:10.01.01.13995

Size: 40

Suction cup material: High temp material HT1

Material hardness [Shore A]: 60 Shore A