

THIS DRAWING IS UNPUBLISHED.

RELEASED FOR PUBLICATION

2007

© COPYRIGHT 2007

BY TYCO ELECTRONICS CORPORATION. ALL INTERNATIONAL RIGHTS RESERVED.

LOC
J

DIST

REVISIONS

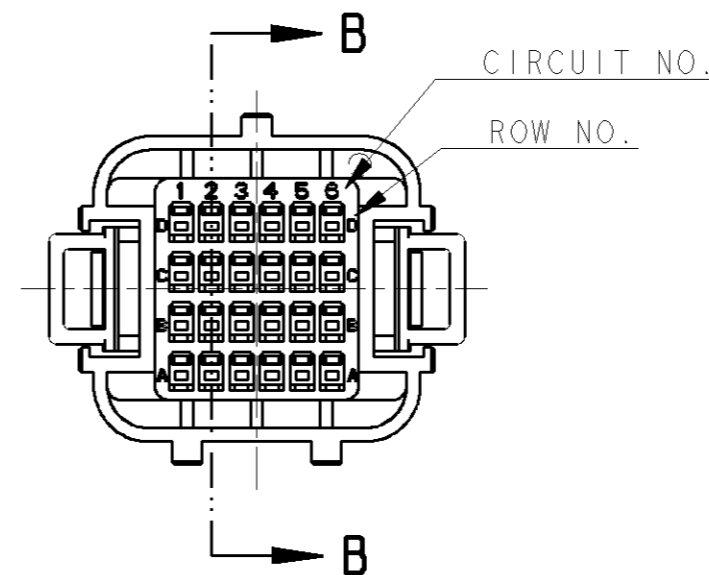
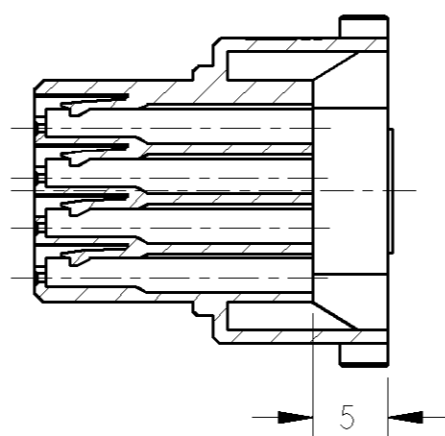
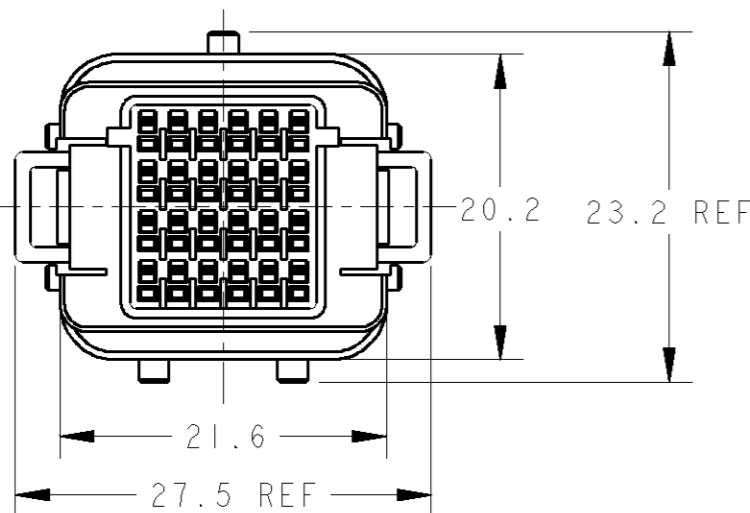
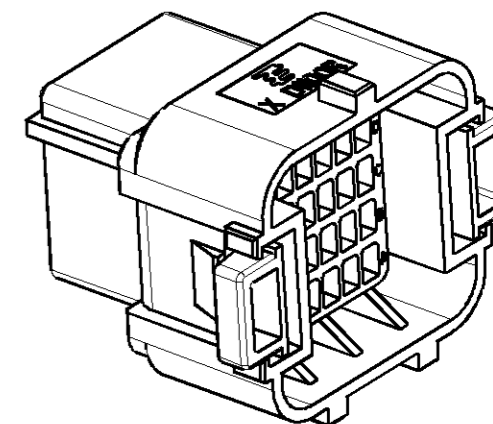
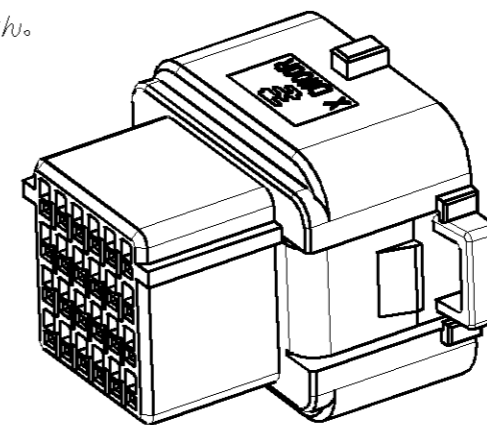
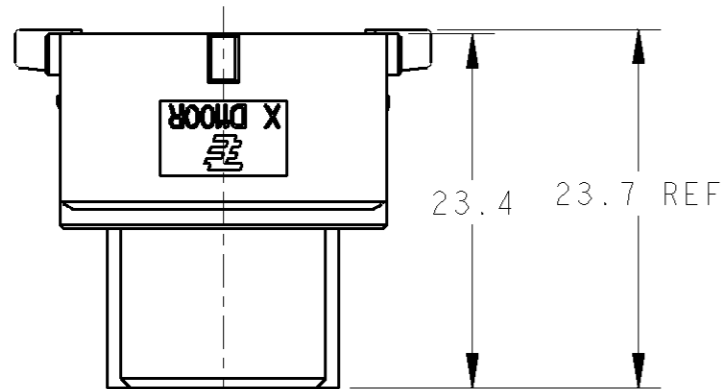
変更

P	LTR	DESCRIPTION	DATE	DWN	APVD
	C	REVISED ECR-10-010452	28MAY2010	T.T	T.M

① MATERIAL: POLYBUTYLEN TEREPHTHALATE (94V-0)
COLOR: BLACK
2. THE SHAPE, SIZE AND POSITION OF THE CHARACTER SHOW THE OUTLINE. THEY DON'T SHOW DETAILS.

① 材料: ポリブチレンテレフタレート(94V-0)
色: 黒
2. 文字の形状、大きさ、および位置については、大略を示すものであり、詳細を示すものではありません。

- 1 : AS SHOWN



THIS DRAWING IS A CONTROLLED DOCUMENT FOR TYCO ELECTRONICS CORPORATION
IT IS SUBJECT TO CHANGE AND THE CONTROLLING ENGINEERING ORGANIZATION
SHOULD BE CONTACTED FOR THE LATEST REVISION.

DIMENSIONS: 単位: ㎜ mm	TOLERANCES UNLESS OTHERWISE SPECIFIED: 一般公差 ±0.3, ±3° 0-PLC ± 1-PLC ± 2-PLC ± 3-PLC ± 4-PLC ± ANGLES ±	DWN T. SAMI 16 JAN 2007	Tyco Electronics Corporation Kawasaki, Japan
	MATERIAL 材料	CHK D. MITSUGI 27 MAR 2007	
	FINISH 仕上	APVD D. MITSUGI 27 MAR 2007	NAME 名称 MULTI ENCLOSURE CONN M DYNAMIC D1100 R-TYPE REC HSG 24 POS
		PRODUCT SPEC 製品規格 108-78417	SIZE A3
		APPLICATION SPEC 取付適用規格 114-5377	CAGE CODE 00779
		WEIGHT 5.39 g	DRAWING NO. C=1981551
		CUSTOMER DRAWING	RESTRICTED TO

SCALE 尺度	2.1	SHEET 1	OF 1	REV C
-------------	-----	------------	---------	----------