

4

3

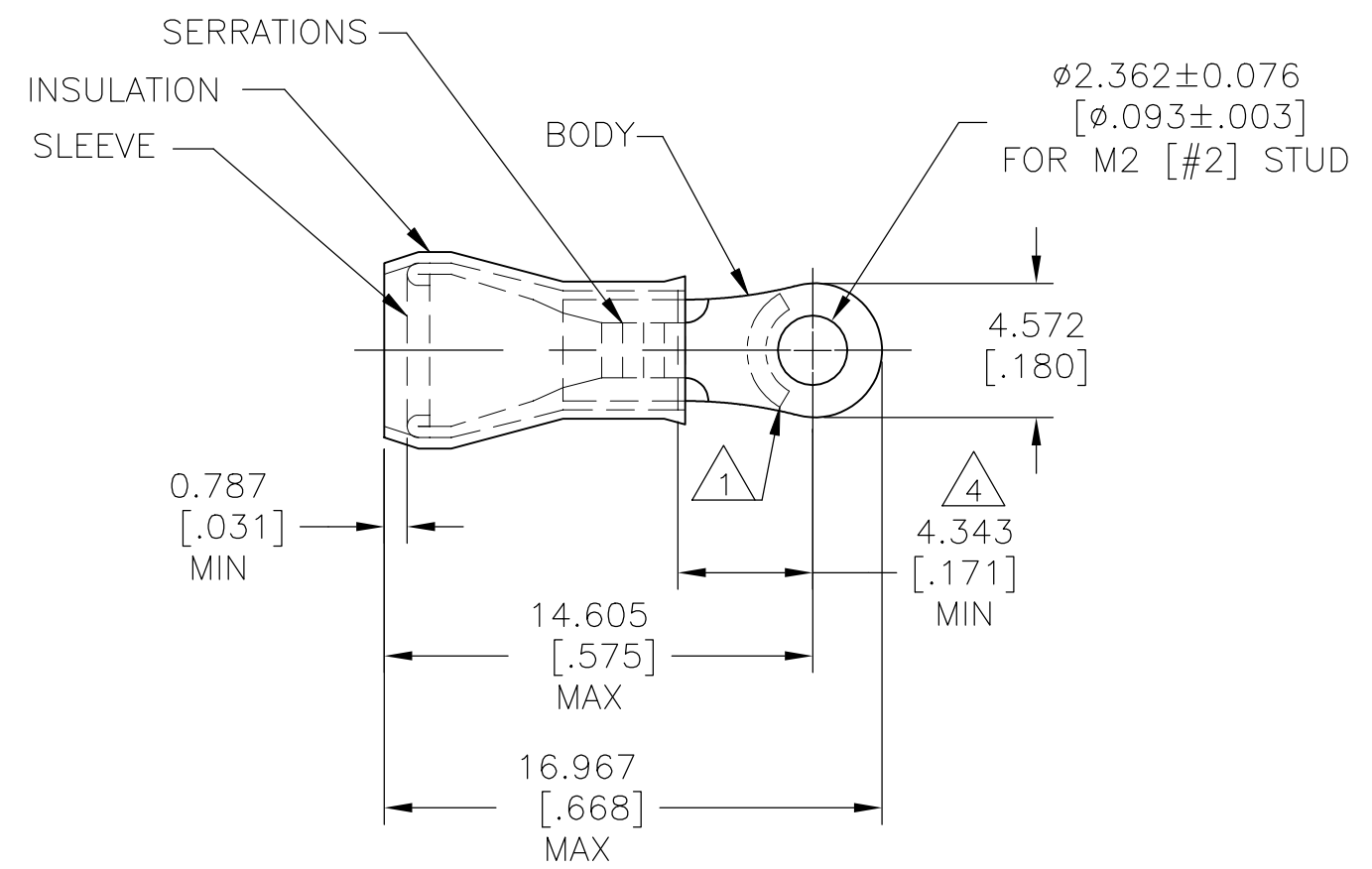
2

1

THIS DRAWING IS UNPUBLISHED. RELEASED FOR PUBLICATION  
 © COPYRIGHT - By - ALL RIGHTS RESERVED.

REVISIONS			TM		
P	LTR	DESCRIPTION	DATE	DWN	APVD
E1		REVISED PER ECO-16-008890	15JUN2016	NK	DR
E2		REVISED PER ECO-17-008114	01JUN2018	RS	DR

<b>AMP</b> WIRE RANGE	LISTED	LR7189 CERTIFIED
16-14 AWG SOLID OR STRANDED	16-14 AWG SOLID OR STRANDED	16-14 AWG SOLID OR STRANDED



- 1 STAMP AMP 16-14\*, 2½-4 APPROX AS SHOWN
- 2 WIRE INSULATION DIA: 2.921-4.318 [.115-.170]
- 3 BODY MATERIAL THK: 0.787±0.051 [.031±.002]
- 4 APPLIES FROM EDGE OF METAL WIRE BARREL TO THE CENTER OF THE STUD HOLE

1000	LOOSE PIECE	324993
QUANTITY	PACKAGE TYPE	PART NO

<b>AMP INCORPORATED</b> <b>CUSTOMER SERVICE SYSTEMS</b>		THIS DRAWING IS A CONTROLLED DOCUMENT.		DWN DK SCHRUM 10/9/92	TE Connectivity Ltd.				
		DIMENSIONS: mm [INCHES]	TOLERANCES UNLESS OTHERWISE SPECIFIED:	CHK ML ELLIS 10/12/92					
FOR ADDITIONAL PRODUCT INFORMATION OR COPIES OF DRAWINGS AND TECHNICAL DOCUMENTS	PRODUCT INFORMATION CENTER 1-800-522-6752	MAX RECOMMENDED OPERATING TEMPERATURE: 105° C [221°F] MAX		APVD M BARNABA 10/12/92	NAME: TERMINAL, RING TONGUE, PIDG™ WIRE SIZE, 16-14 AWG				
FOR APPLICATION TOOLING INFORMATION	CUSTOMER SERVICE HOTLINE 1-800-722-1111	VOLTAGE RATING: 300 V MAX		0 PLC ± - 1 PLC ± - 2 PLC ± - 3 PLC ± 0.127 [.005] 4 PLC ± - ANGLES ± -				PRODUCT SPEC UL 486A	
FOR ORDER ENTRY	1-800-526-5142	CIRCULAR MIL AREA: 1.04-2.62mm² [2,050-5,180] SOLID OR STRANDED	MATERIAL COPPER ASTM B-152 SLEEVE, BLUE NYLON	FINISH TIN PLATE PER ASTM B545	APPLICATION SPEC 114-2157	SIZE A3	CAGE CODE 00779	DRAWING NO C-324993	RESTRICTED TO -
				CUSTOMER DRAWING	WEIGHT	SCALE 4:1	SHEET 1 OF 1	REV E2	