

August 1997

## Dual/Quad SPST, CMOS Analog Switches

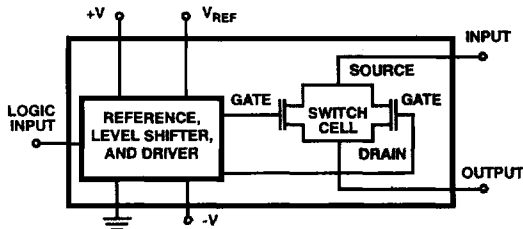
### Features

- Analog Voltage Range .....  $\pm 15V$
- Analog Current Range .....  $80mA$
- Turn-On Time .....  $240ns$
- Low  $r_{ON}$  .....  $55\Omega$
- Low Power Dissipation .....  $15mW$
- TTL/CMOS Compatible

### Applications

- High Frequency Analog Switching
- Sample and Hold Circuits
- Digital Filters
- Operational Amplifier Gain Switching Networks

### Functional Diagram



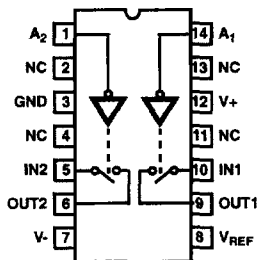
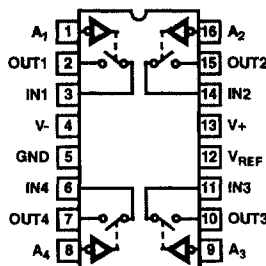
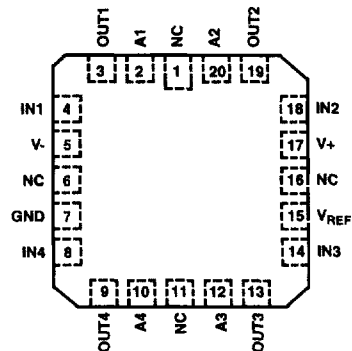
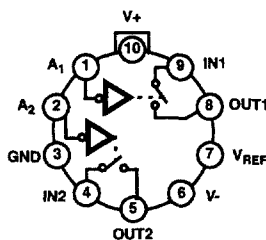
### Description

HI-200/HI-201 are monolithic devices comprising independently selectable SPST switches which feature fast switching speeds (HI-200  $240ns$ , and HI-201  $185ns$ ) combined with low power dissipation ( $15mW$  at  $25^\circ C$ ). Each switch provides low "ON" resistance operation for input signal voltage up to the supply rails and for signal current up to  $80mA$ . Rugged DI construction eliminates latch-up and substrate SCR failure modes.

All devices provide break-before-make switching and are TTL and CMOS compatible for maximum application versatility. HI-200/HI-201 are ideal components for use in high frequency analog switching. Typical applications include signal path switching, sample and hold circuit, digital filters, and operational amplifier gain switching networks.

HI-200 is a dual SPST CMOS analog switch available in DIP and (TO-99) metal cans and is pin compatible with other available "200 series" switches. For MIL-STD-883 compliant parts, request the HI-200/883 data sheet.

### Pinouts

 HI-200 (CERDIP, PDIP, SOIC)  
 TOP VIEW

 HI-201 (CERDIP, PDIP, SOIC)  
 TOP VIEW

 HI-201 (PLCC, CLCC)  
 TOP VIEW

 HI-200 (METAL CAN)  
 TOP VIEW


CAUTION: These devices are sensitive to electrostatic discharge. Users should follow proper IC Handling Procedures.

Copyright © Harris Corporation 1997

File Number **3121.2**

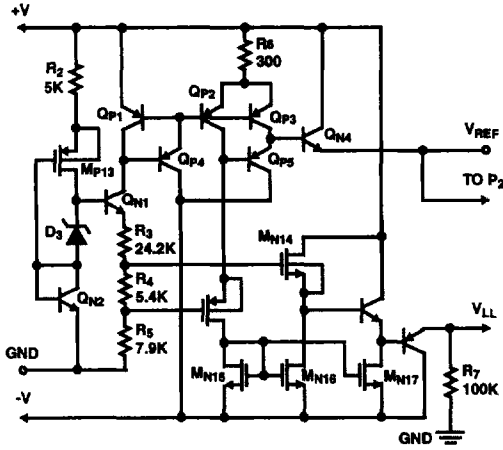
## HI-200, HI-201

### Ordering Information

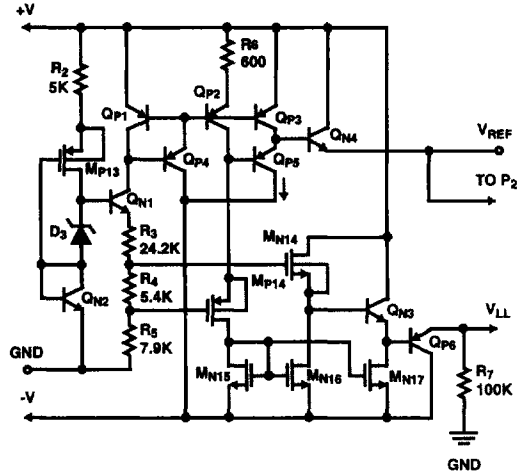
PART NUMBER	TEMPERATURE RANGE (°C)	PACKAGE	PKG. NO.
HI2-0200-5	0 to 75	10 Pin Metal Can	T10.B
HI1-0200-5	0 to 75	14 Ld CERDIP	F14.3
HI2-0200-4	-25 to 85	10 Pin Metal Can	T10.B
HI3-0200-5	0 to 75	14 Ld PDIP	E14.3
HI1-0200-7	0 to 75 + 96 Hr. Burn-In	14 Ld CERDIP	F14.3
HI1-0200-2	-55 to 125	14 Ld CERDIP	F14.3
HI1-0200-4	-25 to 85	14 Ld CERDIP	F14.3
HI2-0200-2	-55 to 125	10 Pin Metal Can	T10.B
HI9P0200-5	0 to 75	14 Ld SOIC	M14.15
HI1-0200/883	-55 to 125	14 Ld CERDIP	F14.3
HI2-0200/883	-55 to 125	10 Pin Metal Can	T10.B
HI1-0201-7	0 to 75 + 96 Hr. Burn-In	16 Ld CERDIP	F16.3
HI1-0201-5	0 to 75	16 Ld CERDIP	F16.3
HI1-0201-4	-25 to 85	16 Ld CERDIP	F16.3
HI4P0201-5	0 to 75	20 Ld PLCC	N20.35
HI9P0201-5	0 to 75	16 Ld SOIC	M16.15
HI9P0201-9	-40 to 85	16 Ld SOIC	M16.15
HI1-0201-2	-55 to 125	16 Ld CERDIP	F16.3
HI3-0201-5	0 to 75	16 Ld PDIP	E16.3
HI1-0201/883	-55 to 125	16 Ld CERDIP	F16.3
HI4-0201/883	-55 to 125	20 Ld CLCC	J20.A

Schematic Diagrams

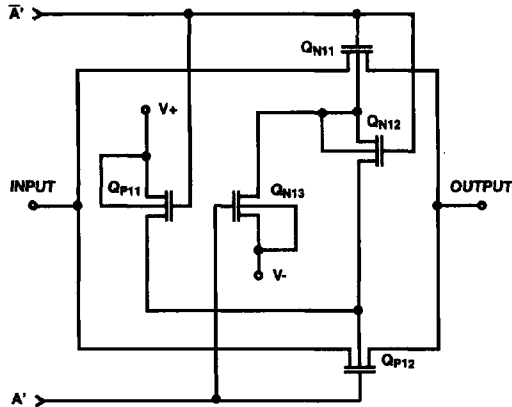
TTL/CMOS REFERENCE CIRCUIT  $V_{REF}$  CELL  
HI-200



TTL/CMOS REFERENCE CIRCUIT  $V_{REF}$  CELL  
HI-201

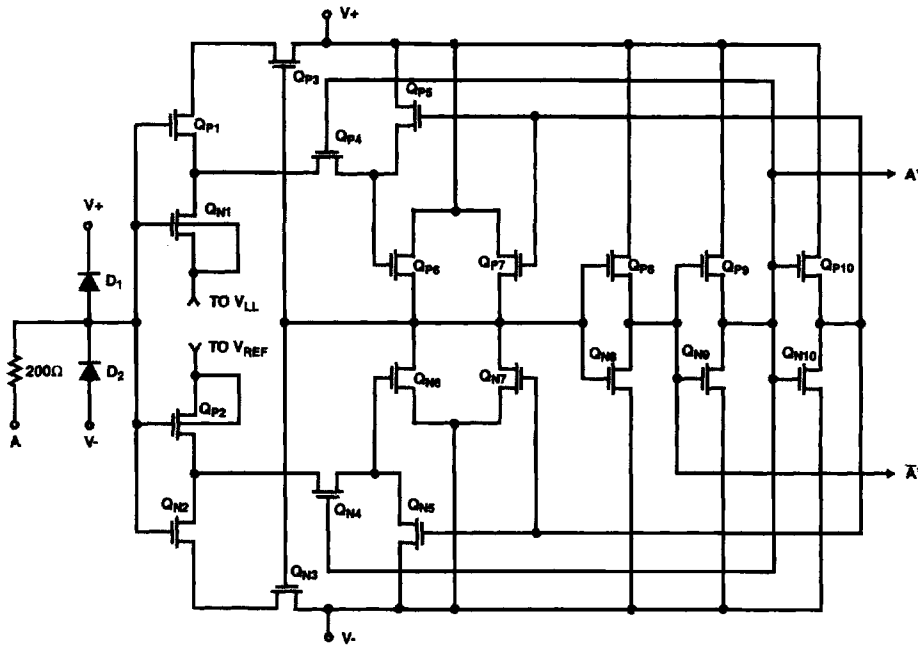


SWITCH CELL



Schematic Diagrams (Continued)

DIGITAL INPUT BUFFER AND LEVEL SHIFTER



## HI-200, HI-201

### Absolute Maximum Ratings

Supply Voltage	..44V (±2%)
V <sub>REF</sub> to Ground	..20V, -5V
Digital Input Voltage	..+V <sub>SUPPLY</sub> 4V ..-V <sub>SUPPLY</sub> -4V
Analog Input Voltage (One Switch)	..+V <sub>SUPPLY</sub> 2.0V ..-V <sub>SUPPLY</sub> -2.0V

### Operating Conditions

Temperature Ranges	
HI-200-2, HI-201-2	..-55°C to 125°C
HI-200-4, HI-201-4	..-25°C to 85°C
HI-200-5, HI-201-5	..0°C to 75°C
HI200-9, HI201-9	..-40°C to 85°C

### Thermal Information

Thermal Resistance (Typical, Note 1)	$\theta_{JA}$ (°C/W)	$\theta_{JC}$ (°C/W)
14 Ld CERDIP Package (/883 Versions)	80	24
14 Ld CERDIP Package (Non /883 Versions)	95	40
16 Ld CERDIP Package (/883 Versions)	75	20
16 Ld CERDIP Package (Non /883 Versions)	90	35
PLCC Package	80	N/A
PDIP Package	100	N/A
14 Ld SOIC Package	120	N/A
16 Ld SOIC Package	115	N/A
10 Pin Metal Can Package (HI-200 Only)	160	75
20 Ld CLCC Package (HI-201 Only)	65	13
Maximum Storage Temperature	..-65°C to 150°C	
Maximum Junction Temperature (Hermetic)	..175°C	
Maximum Junction Temperature (Plastic)	..150°C	
Maximum Lead Temperature (Soldering, 10s)	..300°C	
	(PLCC and SOIC - Lead Tips Only)	

CAUTION: Stresses above those listed in "Absolute Maximum Ratings" may cause permanent damage to the device. This is a stress only rating and operation of the device at these or any other conditions above those indicated in the operational sections of this specification is not implied.

#### NOTE:

- $\theta_{JA}$  is measured with the component mounted on an evaluation PC board in free air.

**Electrical Characteristics** Supplies = +15V, -15V; V<sub>REF</sub> = Open; V<sub>AH</sub> (Logic Level High) = 2.4V,  
V<sub>AL</sub> (Logic Level Low) = +0.8V

PARAMETER	TEST CONDITIONS	TEMP (°C)	HI-200, HI-201-2/883			HI-200, HI201 -4, -5, -7, -9			UNITS
			MIN	TYP	MAX	MIN	TYP	MAX	
<b>SWITCHING CHARACTERISTICS</b>									
Switch On Time, t <sub>ON</sub>									
HI-200		25	-	240	500	-	240	-	ns
HI-201		25	-	185	500	-	185	-	ns
		Full	-	1000	-	-	1000	-	ns
Switch Off Time, t <sub>OFF</sub>									
HI-200		25	-	330	500	-	500	-	ns
HI-201		25	-	220	500	-	220	-	ns
		Full	-	1000	-	-	1000	-	ns
"Off Isolation"	(Note 4)								
HI-200		25	-	70	-	-	70	-	dB
HI-201		25	-	80	-	-	80	-	dB
Input Switch Capacitance, C <sub>S(OFF)</sub>		25	-	5.5	-	-	5.5	-	pF
Output Switch Capacitance, C <sub>D(OFF)</sub>		25	-	5.5	-	-	5.5	-	pF
Output Switch Capacitance, C <sub>D(ON)</sub>		25	-	11	-	-	11	-	pF
Digital Input Capacitance, C <sub>A</sub>		25	-	5	-	-	5	-	pF
Drain-to-Source Capacitance, C <sub>DS(OFF)</sub>		25	-	0.5	-	-	0.5	-	pF
<b>DIGITAL INPUT CHARACTERISTICS</b>									
Input Low Threshold, V <sub>AL</sub>		Full	-	-	0.8	-	-	0.8	V
Input High Threshold, V <sub>AH</sub>		Full	2.4	-	-	2.4	-	-	V
Input Leakage Current (High or Low), I <sub>A</sub>	(Note 2)	Full	-	-	1.0	-	-	1.0	μA
<b>ANALOG SWITCH CHARACTERISTICS</b>									
Analog Signal Range, V <sub>S</sub>		Full	-15	-	+15	-15	-	+15	V
On Resistance, r <sub>ON</sub>	(Note 1)	25	-	55	70	-	55	80	Ω
		Full	-	80	100	-	72	100	Ω

## HI-200, HI-201

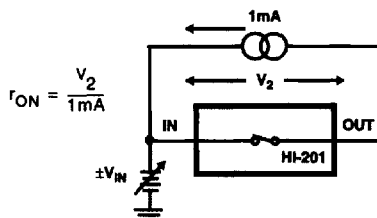
**Electrical Characteristics** Supplies = +15V, -15V;  $V_{REF}$  = Open;  $V_{AH}$  (Logic Level High) = 2.4V,  
 $V_{AL}$  (Logic Level Low) = +0.8V (Continued)

PARAMETER	TEST CONDITIONS	TEMP (°C)	HI-200, HI-201-2/883			HI-200, HI201 -4, -5, -7, -9			UNITS
			MIN	TYP	MAX	MIN	TYP	MAX	
Off Input Leakage Current, $I_{S(OFF)}$ HI-200	(Note 6)	25	-	1	5	-	1	50	nA
		Full	-	100	500	-	10	500	nA
Off Output Leakage Current, $I_{D(OFF)}$ HI-200	(Note 6)	25	-	1	5	-	1	50	nA
		Full	-	100	500	-	10	500	nA
On Leakage Current, $I_{D(ON)}$ HI-200	(Note 6)	25	-	1	5	-	1	50	nA
		Full	-	100	500	-	10	500	nA
$I_{S(OFF)}$ HI-201	(Note 6)	25	-	2	5	-	2	50	nA
Full		-	-	500	-	-	250	nA	
$I_{D(OFF)}$ HI-201	(Note 6)	25	-	2	5	-	2	50	nA
Full		-	35	500	-	35	250	nA	
$I_{D(ON)}$ HI-201	(Note 6)	25	-	2	5	-	2	50	nA
Full		-	-	500	-	-	250	nA	
<b>POWER REQUIREMENTS (Note 5)</b>									
Power Dissipation, $P_D$		25	-	15	-	-	15	-	mW
		Full	-	-	60	-	-	60	mW
Current, $I_+$		25	-	0.5	-	-	0.5	-	mA
		Full	-	-	2.0	-	-	2.0	mA
Current, $I_-$		25	-	0.5	-	-	0.5	-	mA
		Full	-	-	2.0	-	-	2.0	mA

**NOTES:**

2.  $V_{OUT} = \pm 10V$ ,  $I_{OUT} = 1mA$ .
3. Digital Inputs are MOS gates: typical leakage is < 1nA.
4.  $V_{AH} = 4V$ .
5.  $V_A = 5V$ ,  $R_L = 1k\Omega$ ,  $C_L = 10pF$ ,  $V_S = 3V_{RMS}$ ,  $f = 100kHz$ .
6.  $V_A = +3V$  or  $V_A = 0V$  for Both Switches.
7. Refer to Leakage Current Measurements (Figure 4).

**Performance Curves and Test Circuits**  $T_A = 25^\circ C$ ,  $V_{SUPPLY} = 15V$ ,  $V_{AH} = 2.4V$ ,  
 $V_{AL} = 0.8V$  and  $V_{REF} = Open$



**FIGURE 1. ON RESISTANCE vs ANALOG SIGNAL LEVEL, SUPPLY VOLTAGE AND TEMPERATURE**

**Performance Curves and Test Circuits**  $T_A = 25^\circ\text{C}$ ,  $V_{\text{SUPPLY}} = 15\text{V}$ ,  $V_{\text{AH}} = 2.4\text{V}$ ,  
 $V_{\text{AL}} = 0.8\text{V}$  and  $V_{\text{REF}} = \text{Open}$  (Continued)

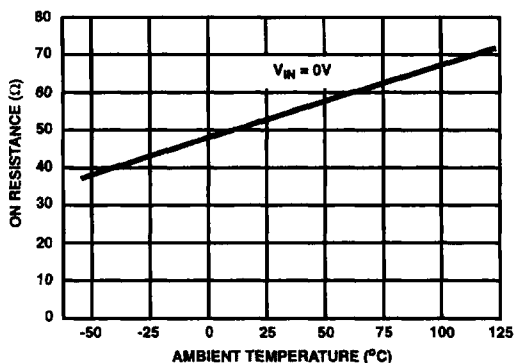


FIGURE 2. ON RESISTANCE vs TEMPERATURE

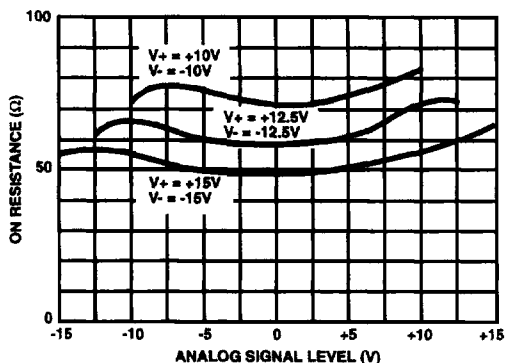


FIGURE 3. HI-201 ON RESISTANCE vs ANALOG SIGNAL LEVEL AND POWER SUPPLY VOLTAGE

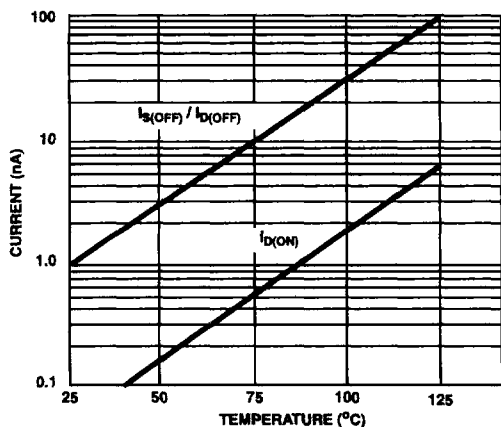


FIGURE 4A. HI-201 SWITCH LEAKAGE CURRENT vs TEMPERATURE

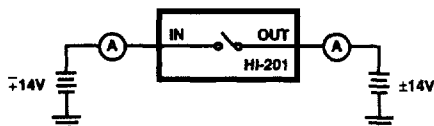


FIGURE 4B. OFF LEAKAGE CURRENT vs TEMPERATURE

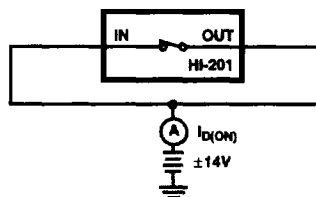


FIGURE 4C. ON LEAKAGE CURRENT vs TEMPERATURE

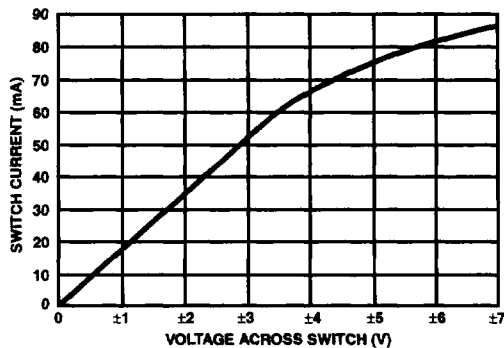


FIGURE 5A.

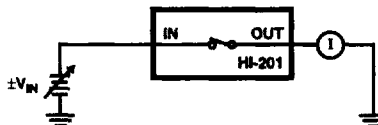


FIGURE 5B.

FIGURE 5. SWITCH CURRENT vs VOLTAGE

Switching Waveforms

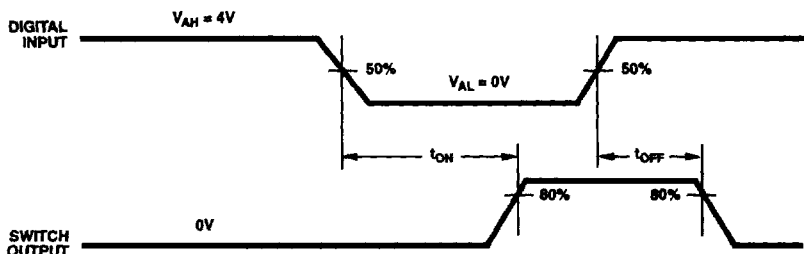
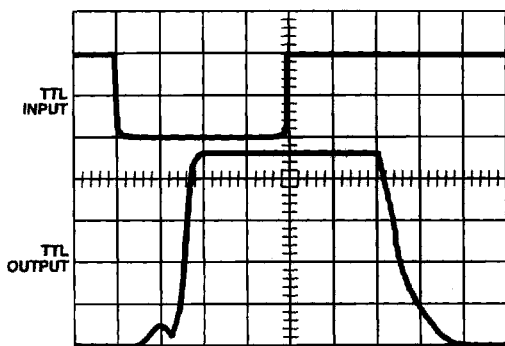
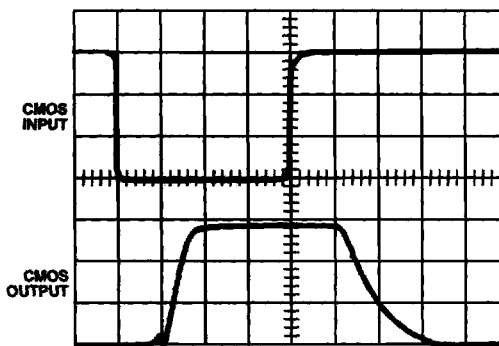


FIGURE 6. LOGIC "0" = SWITCH ON



$t_{ON}$ ,  $t_{OFF}$  (TTL INPUT),  $V_{IN} = +4V$   
Vertical: 2V/Div.  
Horizontal: 100ns/Div.



$t_{ON}$ ,  $t_{OFF}$  (TTL INPUT),  $V_{IN} = +15V$   
Vertical: 5V/Div.  
Horizontal: 100ns/Div.

FIGURE 7. TTL INPUT

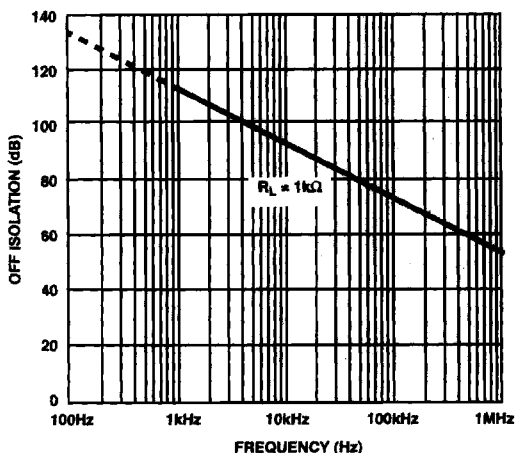


FIGURE 8. OFF ISOLATION vs FREQUENCY

For more information see Application Notes AN520, AN521, AN531, AN532 and AN557.

Single Supply

The switch operation of the HI-200/201 is dependent upon an internally generated switching threshold voltage optimized for  $\pm 15V$  power supplies. The HI-200/201 does not provide the necessary internal switching threshold in a single supply system. Therefore, if single supply operation is required, the HI-300 series of switches is recommended. The HI-300 series will remain operational to a minimum +5V single supply.

Switch performance will degrade as power supply voltage is reduced from optimum levels ( $\pm 15V$ ). So it is recommended that a single supply design be thoroughly evaluated to ensure that the switch will meet the requirements of the application.

For further information see Application Notes AN520, AN521, AN531, AN532, AN543 and AN557.



# HI-200

## Die Characteristics

### DIE DIMENSIONS:

54 mils x 79 mils x 19 mils

### METALLIZATION:

Type: CuAl

Thickness:  $16\text{k}\text{\AA} \pm 2\text{k}\text{\AA}$

### PASSIVATION:

Type: Nitride over Silox

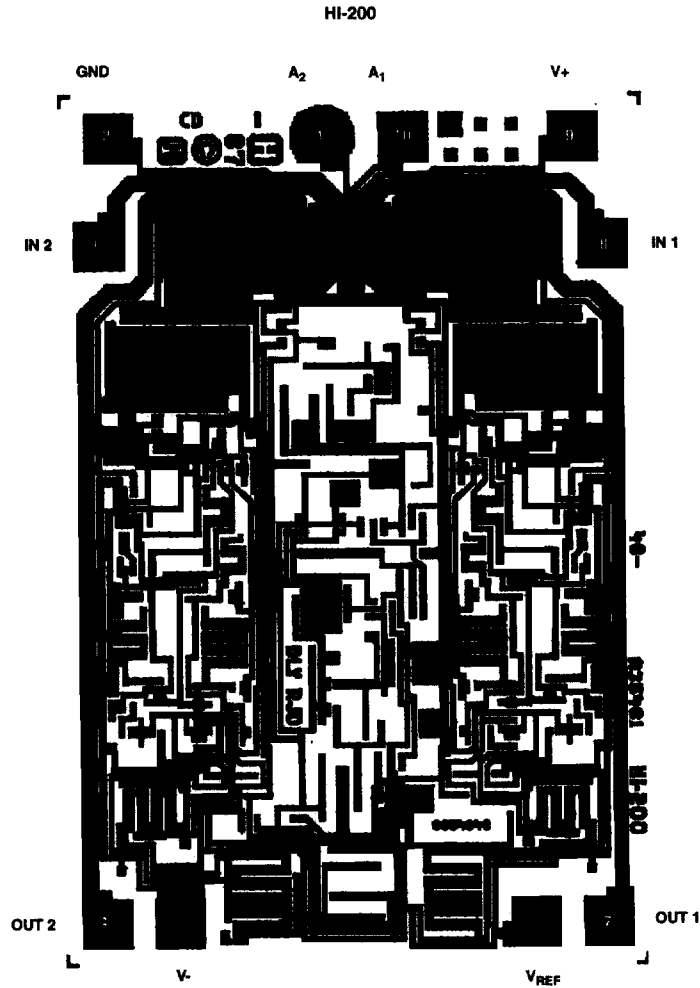
Nitride Thickness:  $3.5\text{k}\text{\AA} \pm 1\text{k}\text{\AA}$

Silox Thickness:  $12\text{k}\text{\AA} \pm 2\text{k}\text{\AA}$

### WORST CASE CURRENT DENSITY:

$2 \times 10^5 \text{ A/cm}^2$  at 25mA

## Metallization Mask Layout



# HI-201

## Die Characteristics

### DIE DIMENSIONS:

81 mils x 85 mils x 19 mils

### METALLIZATION:

Type: CuAl  
Thickness:  $16\text{k}\text{\AA} \pm 2\text{k}\text{\AA}$

### PASSIVATION:

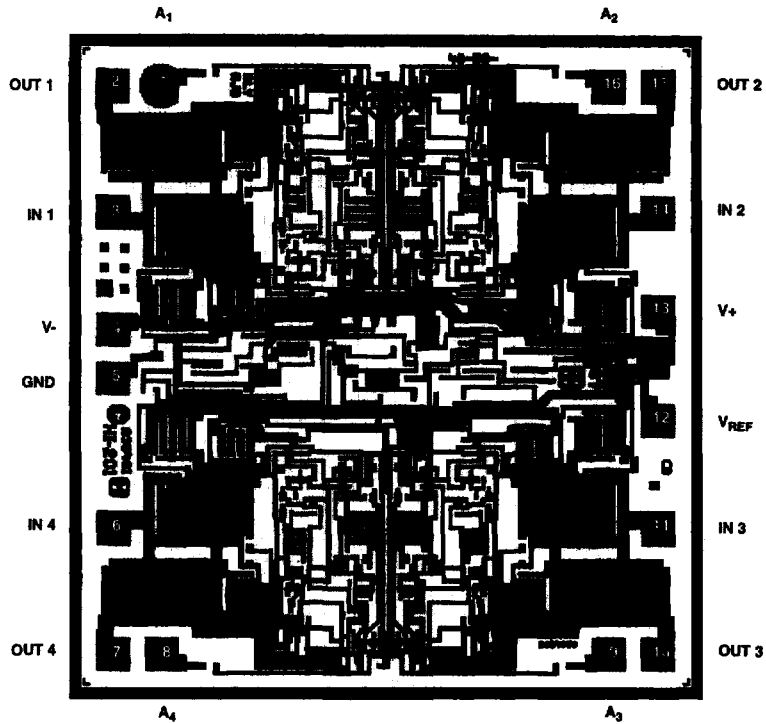
Type: Nitride over Silox  
Nitride Thickness:  $3.5\text{k}\text{\AA} \pm 1\text{k}\text{\AA}$   
Silox Thickness:  $12\text{k}\text{\AA} \pm 2\text{k}\text{\AA}$

### WORST CASE CURRENT DENSITY:

$2 \times 10^5 \text{ A/cm}^2$  at 25mA

## Metallization Mask Layout

HI-201



13

SWITCHES