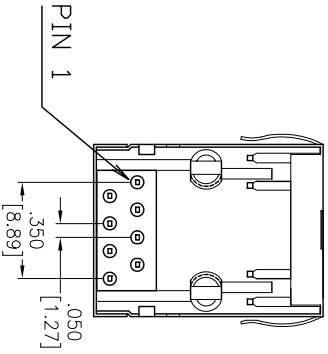
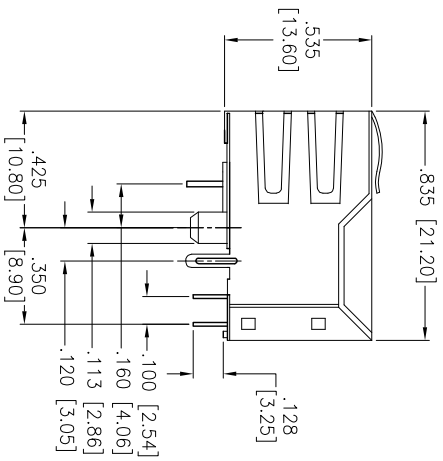
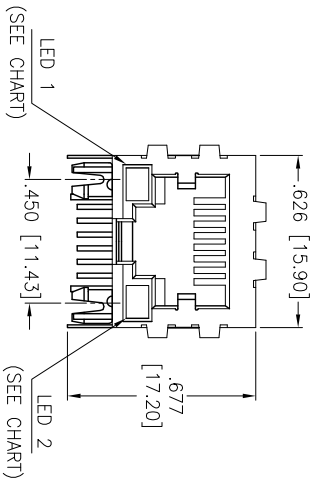
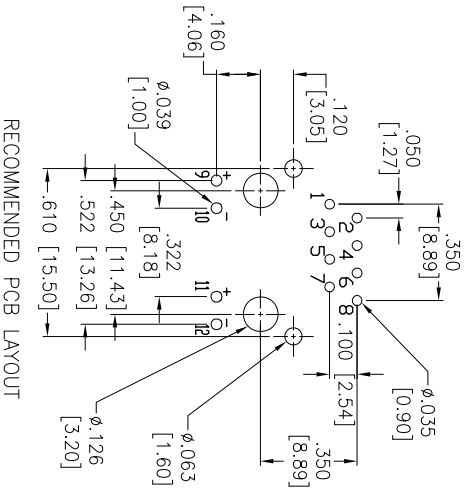


Rev	AWO #	Description	Date	Appr
-		RELEASED	9/3/15	

APPROVED: \_\_\_\_\_  
DATE: \_\_\_\_\_ TITLE: \_\_\_\_\_



Part Number	LED 1 Color	LED 2 Color
MTJ-88GX1-FSD-PG-LD	Green	Green
MTJ-88GX1-FSD-PG-LG	Yellow	Green
MTJ-88GX1-FSD-PG-LH	Green	Yellow
MTJ-88GX1-FSD-PG-LP	Yellow/Green	Yellow/Green
MTJ-88GX1-FSD-PG-LV	Green	Yellow/Green
MTJ-88GX1-FSD-PG-L16	Green/Yellow	Green/Yellow

**SPECIFICATIONS:**

Material: PBT, Glass reinforced rated UL 94V-0

Insulator color: Black

Contacts: Phosphor Bronze Shield: Copper Alloy, Nickel plated

Contacts Plating:

Flat contact

Gold over Nickel underplate on contact area,

Tin over Copper underplate on solder tails

Round contact

Electrical:

Operating voltage: 150 VAC max

Current rating: 1.5 Amps max

Contact resistance: 20 mohms max

Insulation resistance: 500 Mohms min @ 500 VDC

Dielectric withstanding voltage: 1500 VAC for 1 minute

Temperature Rating:

Operating temperature: -40°C to +85°C

Environmental:

Lead free, RoHS compliant.

**ADAM TECH**

909 Rahway Avenue, Union, NJ 07083  
Phone: 908-687-5000 Fax: 908-687-5710

MODULAR JACK GANGED, 1 PORT, 8P8C  
W/LEDs

UNLESS OTHERWISE SPECIFIED	
ALL DIMENSIONS ARE INCHES [MM]	
TOLERANCES EXCEPT AS NOTED	
INCHES	HOLDS
.X ± .10	± .10
.XX ± .020	± .015
.XXX ± .015	± .010
DATE	
APPROVALS	
DRAWN	AY
9/3/15	
CHECKED	NC
9/3/15	
APPROVED	

SIZE	PART NO.	REV.
X	MTJ-88GX1-FSD-PG-LX	-
REF:	S0006T	
SCALE:	NIS	SHEET 1 OF 1

