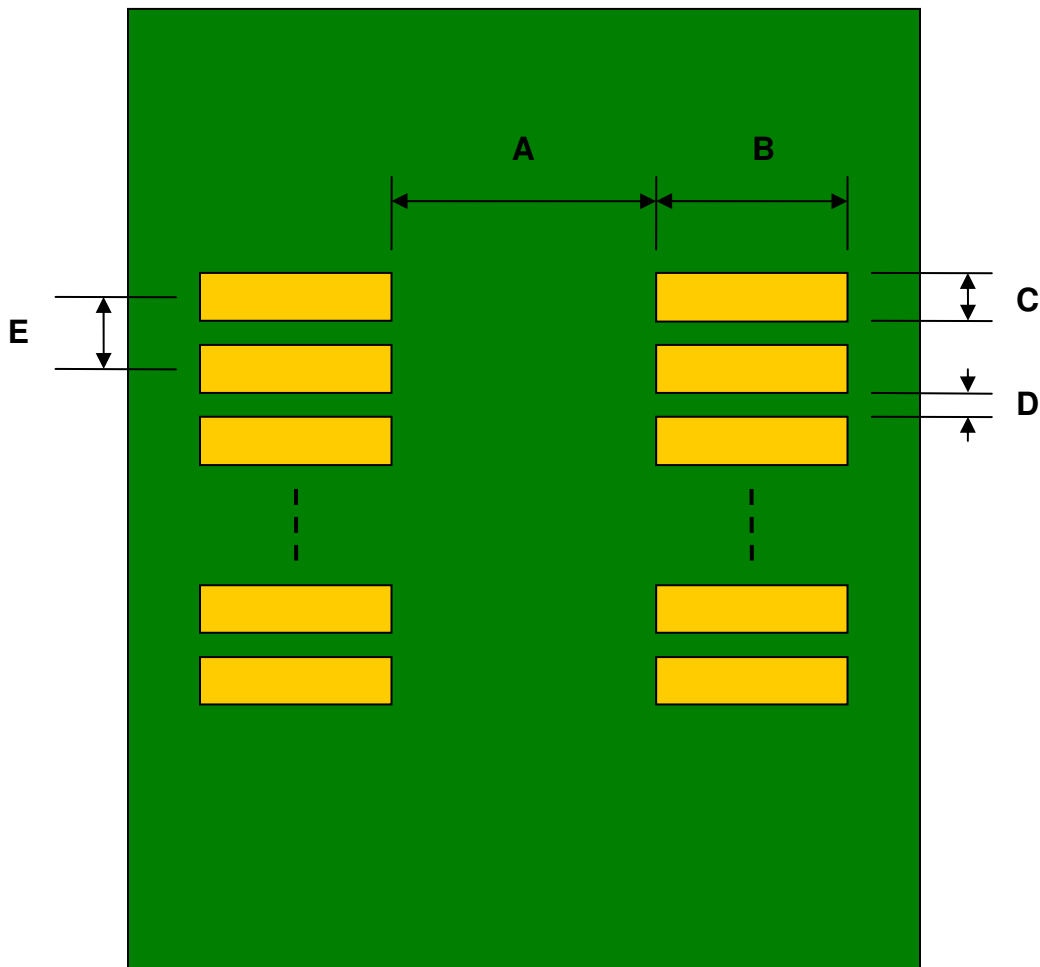


## SOIC-32 to DIP-32 SMT Adapter (1.27 mm pitch, 20.4 x 11.3 mm body)

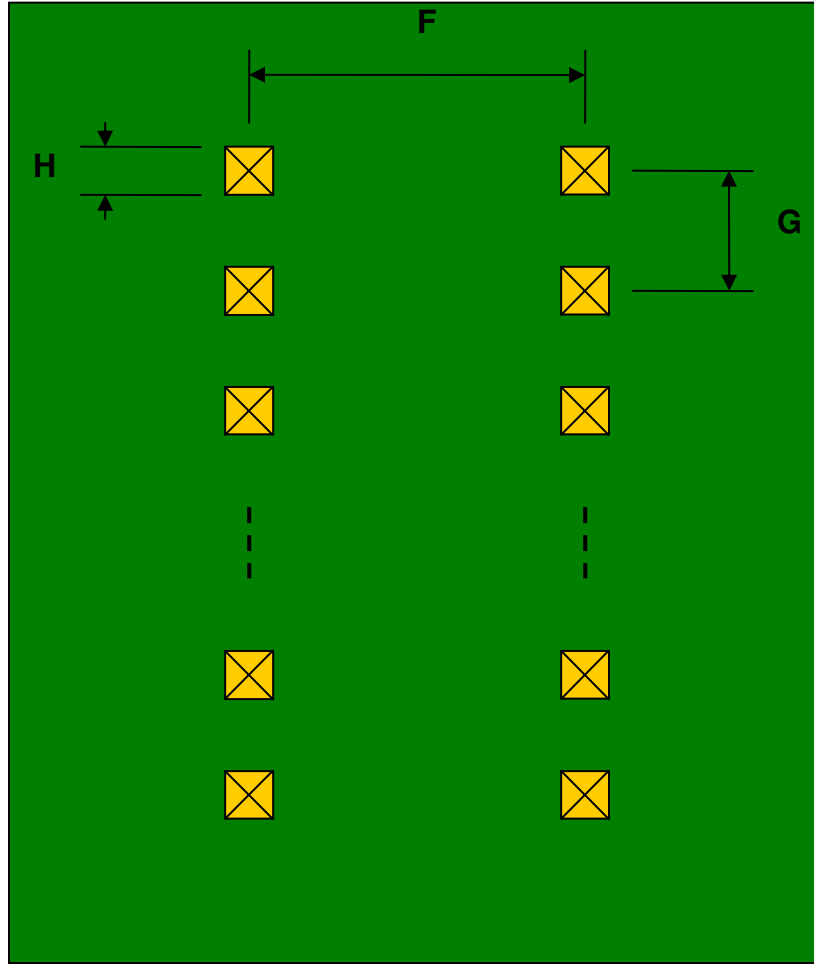
REF.	DIMENSIONS					
	mm			inches		
	MIN.	TYP.	MAX.	MIN.	TYP.	MAX.
A		11.50				
B		2.00				
C		0.70				
D		0.57				
E		1.27				
F					0.600	
G					0.100	
H					0.025	

Top View (SMT Footprint)



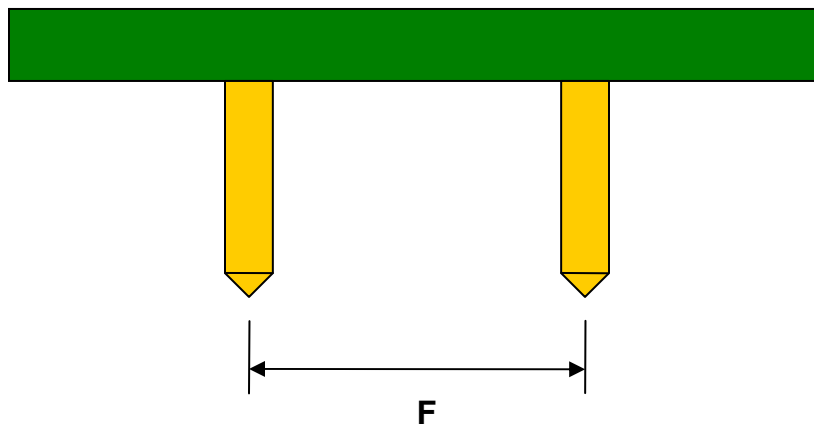
(Representative drawing only - not to scale)

### Bottom View (DIP Pins)



(Representative drawing only - not to scale)

### Side View (DIP Pins)



(Representative drawing only - not to scale)