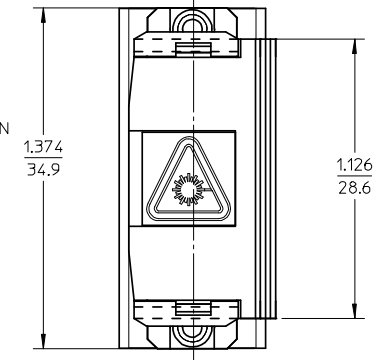
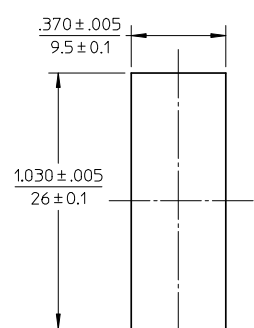


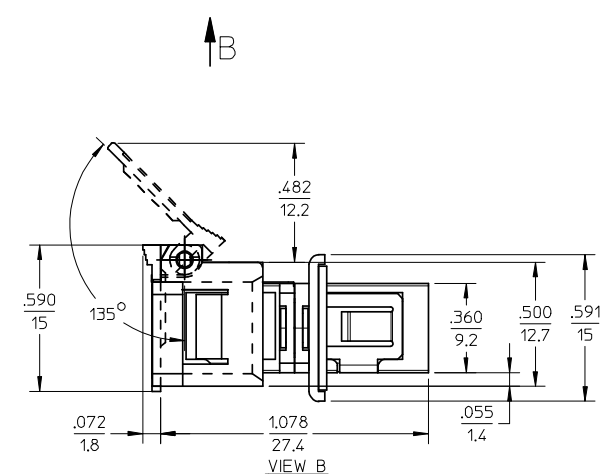
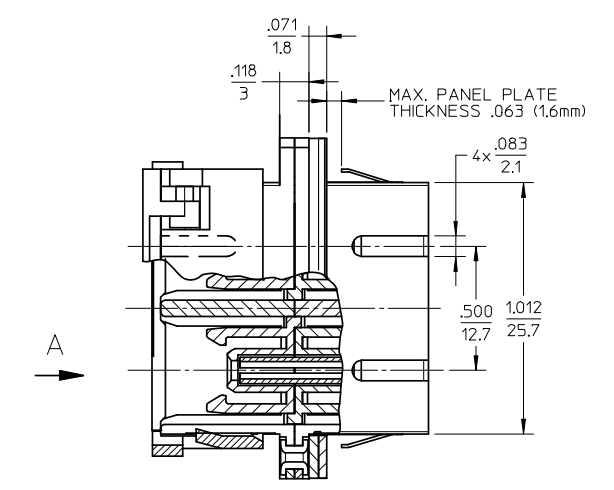
VIEW A
VARIATION 1
FOR LABEL INSTALLATION



VIEW A
VARIATION 2
FOR LABEL INSTALLATION



RECOMMENDED
MOUNTING CUTOUT



- NOTES:
1. ALL DIMENSIONS ARE FOR REFERENCE ONLY.
 2. LABEL MUST BE INSTALLED AND ORIENTED BY CUSTOMER.
 3. DUST CAPS ARE NOT SHOWN BUT INCLUDED.
 4. SCD METAL ADAPTER CONTAINS ZIRCONIA CERAMIC ALIGNMENT SLEEVES.
 5. SCD EMI ADAPTER MEETS APPLICABLE EIA/TIA STANDARDS.

ENTER DESCRIPTION EC NO: MF2008-0363 DRWN: JSZEWZYK 2008/02/29 CHKD: 2008/02/29 APPR: IGUMIN 2008/02/29 REV B	QUALITY SYMBOLS	GENERAL TOLERANCES (UNLESS SPECIFIED)	DIMENSION STYLE	SCALE	DESIGN UNITS	THIRD ANGLE PROJECTION	
	▽=0 ∇=0	mm INCH	IN/MM	2:1	INCH		
		4 PLACES ± --- ± --- 3 PLACES ± --- ± --- 2 PLACES ± --- ± --- 1 PLACE ± --- ± ---	DRAWN BY DATE PGIBLIN 2005/10/28 CHECKED BY DATE	TITLE SCD EMI ADAPTER W/SHILED			
		ANGULAR ±1/2°	APPROVED BY DATE	MATERIAL NO. 1061161000 DOCUMENT NO. SD-106116-1000 SHEET NO. 1 OF 1			
DRAFT WHERE APPLICABLE MUST REMAIN WITHIN DIMENSIONS		THIS DRAWING CONTAINS INFORMATION THAT IS PROPRIETARY TO MOLEX INCORPORATED AND SHOULD NOT BE USED WITHOUT WRITTEN PERMISSION					