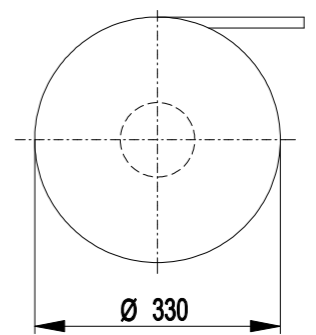
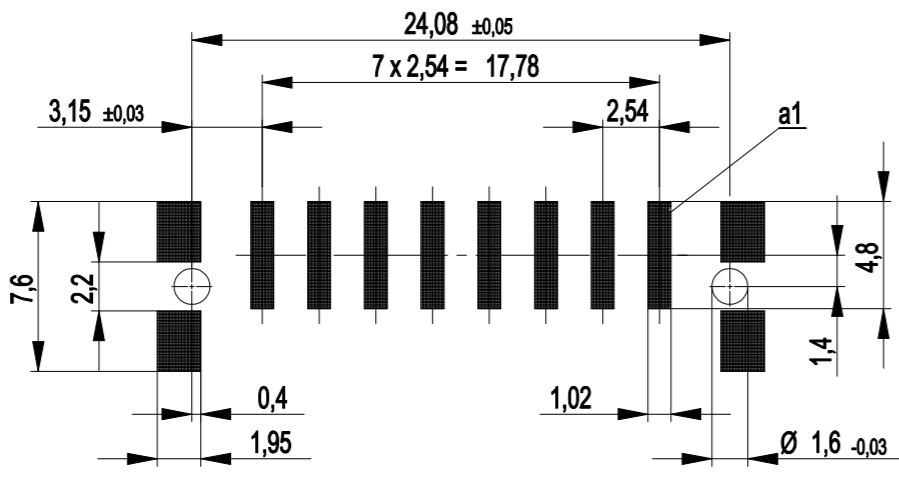


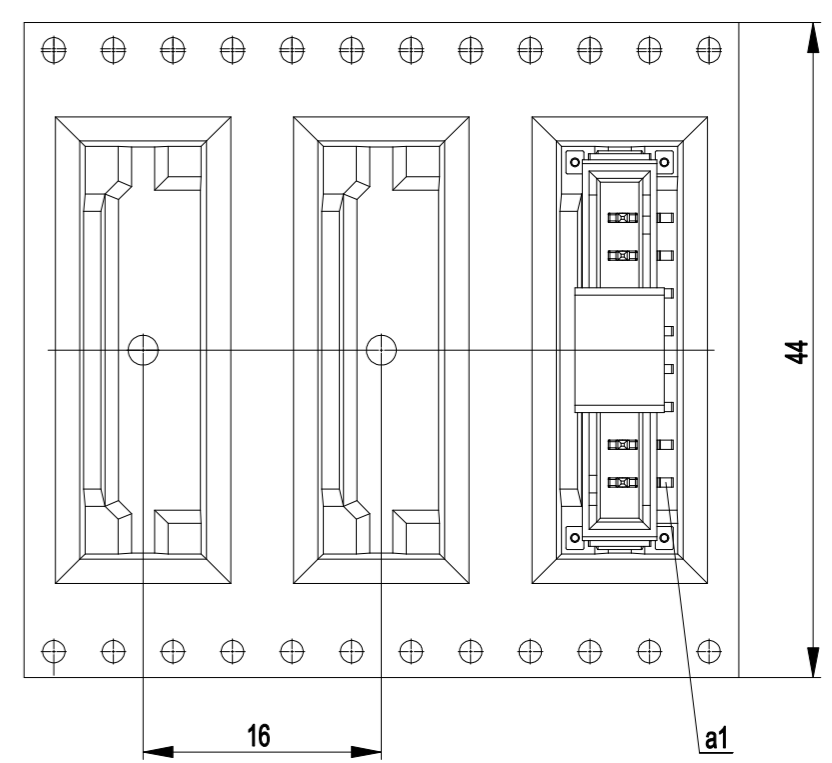
Verpackt im Gurt in Anlehnung an DIN IEC 60286-3
 tape on reel packaging according to DIN IEC 60286-3
 Verpackungseinheit: 320 Stück
 packaging unit: 320 pcs



Leiterplatten-Layout Vorschlag für SMT
 PCB-Layout Proposal for SMT



Abspulrichtung - reel off direction



Anforderungsstufe 1
 performance level 1
 Kontaktbereich vergoldet
 mating area gold plating
 Anschlussbereich verzinkt 4-6 µm
 terminal area 4-6 µm tin plating
 Koplanarität der Anschlüsse ≤ 0,1 mm
 coplanarity area of termination ≤ 0,1 mm

454209-E		weiß white	0,6	9,0	1,2	8,4	Codierung wie Variante schwarz Encoding such variant black
294652-E		rot red	4,2	5,4	4,8	4,8	
294651-E		grün green	3,0	6,6	3,6	6,0	
294650-E		blau blue	1,8	7,8	2,4	7,2	
294649-E		schwarz black	0,6	9,0	1,2	8,4	
Ident-Nr. part-no.	Codierung coding	Farbe color	A	B	C	D	Bemerkung note

This drawing is a controlled document. It is the property of STMicroelectronics. It is not to be reproduced, stored in a retrieval system, or transmitted, in any form or by any means, electronic, mechanical, photocopying, recording, or by any information storage and retrieval system, without the prior written permission of STMicroelectronics. All rights reserved. In the event of any change in the product, this drawing shall remain valid.

This drawing is a controlled document. It is the property of STMicroelectronics. It is not to be reproduced, stored in a retrieval system, or transmitted, in any form or by any means, electronic, mechanical, photocopying, recording, or by any information storage and retrieval system, without the prior written permission of STMicroelectronics. All rights reserved. In the event of any change in the product, this drawing shall remain valid.

Dimension no.	Tolerances ISO 8015	Scale 3:1 Material siehe Tabelle
Customer drawing: THIS DRAWING IS A CONTROLLED DOCUMENT.	Subject to modification without prior notice. Drawing will not be updated.	ERNI-M 2,54 SRC-P, 8-polig
g Index	30.04.2013 Date	TE Connectivity 224994-E Class SRCP