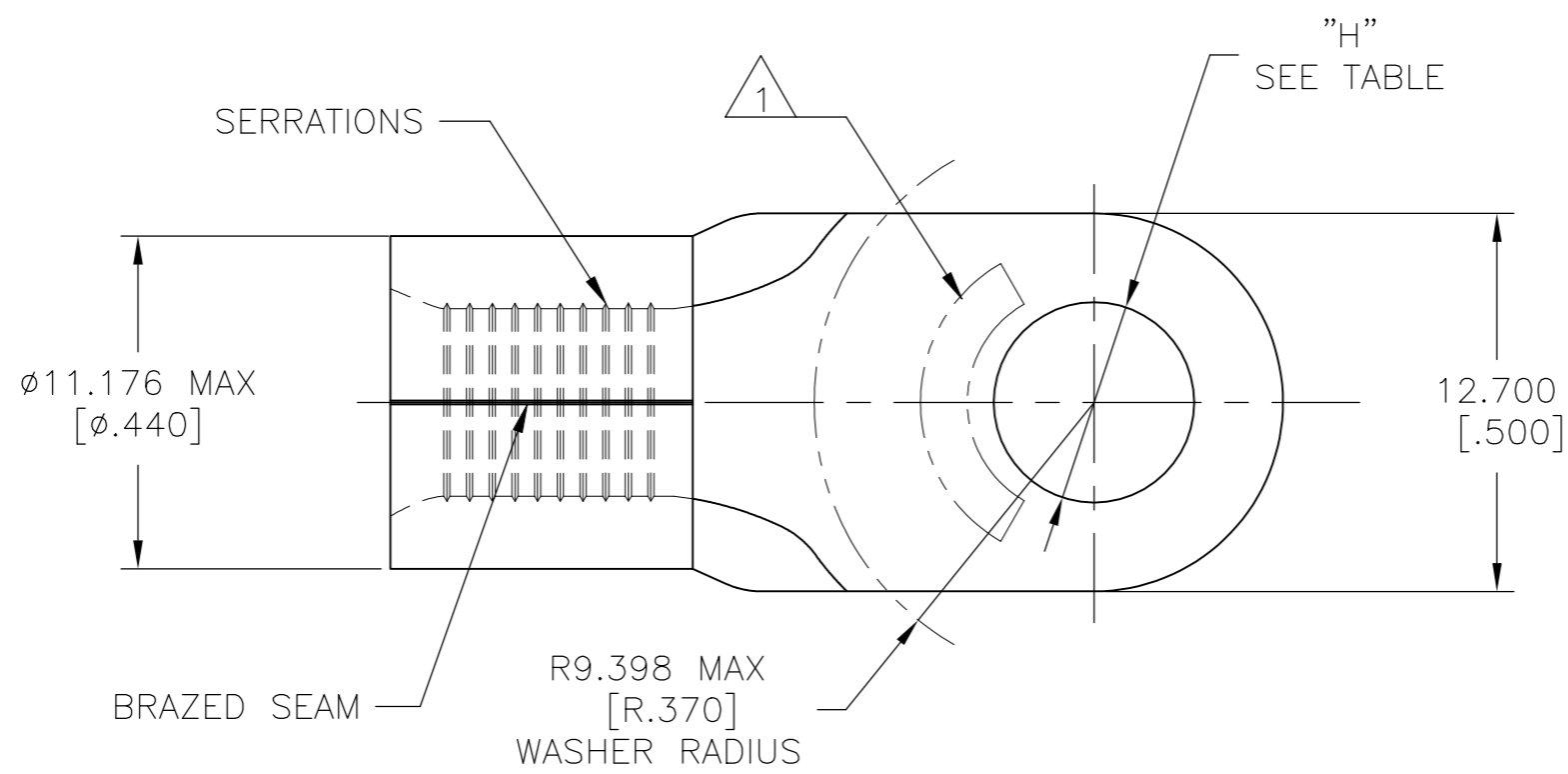


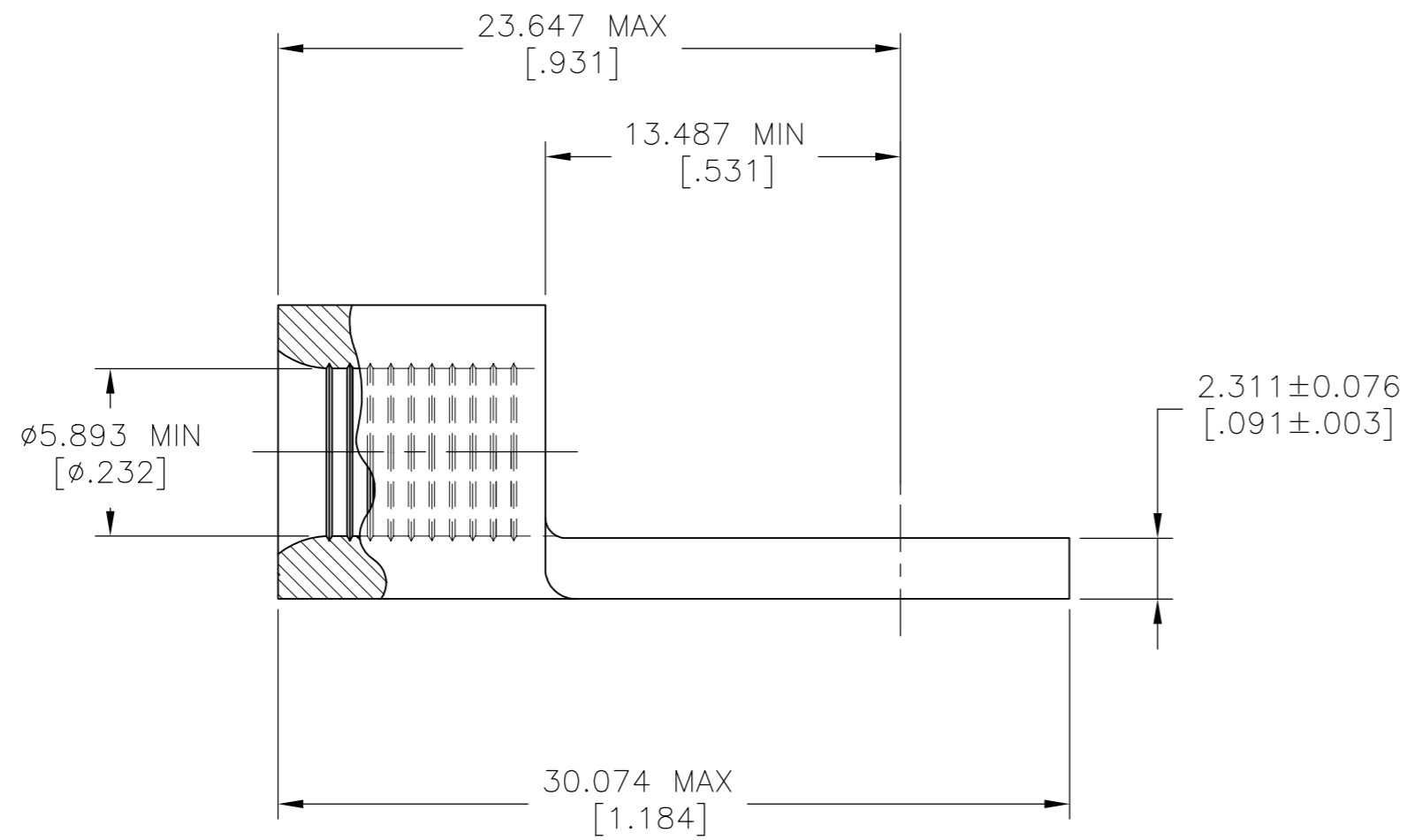
THIS DRAWING IS UNPUBLISHED. RELEASED FOR PUBLICATION  
 © COPYRIGHT - TE Connectivity Ltd. ALL RIGHTS RESERVED.

REVISIONS					
P	LTR	DESCRIPTION	DATE	DWN	APVD
F		REV, RDRAWN PER 0720-0040-93	3-24-93	-	DAP
F1		REVISED PER ECO-17-008806	19FEB2018	RS	DR



<b>AMP</b> WIRE RANGE	E13288 Listed
6HD AWG SOLID OR STRANDED	6HD AWG STRANDED
LR7189 Certified	MILITARY P/N AND CLASS
6HD AWG SOLID OR STRANDED	NOT APPLICABLE

STAMP AMP 6HDW\* APPROX AS SHOWN



100	LOOSE PIECE	1/4	ø6.731±0.127 [ø.265±.005]	330969
QTY	PACKAGE TYPE	STUD SIZE	"H"	PART NO

AMP INCORPORATED CUSTOMER SERVICE SYSTEMS		THIS DRAWING IS A CONTROLLED DOCUMENT.		DWN TA BRINKMAN 3-24-93	TE Connectivity Ltd.
FOR ADDITIONAL PRODUCT INFORMATION OR COPIES OF DRAWINGS AND TECHNICAL DOCUMENTS	PRODUCT INFORMATION CENTER 1-800-522-6752	MAX RECOMMENDED OPERATING TEMPERATURE: 170°C [338°F] MAX	DIMENSIONS: mm [INCHES]	CHK DA PATTERSON 3-24-93	
FOR APPLICATION	TOOLING ASSISTANCE CENTER 1-800-722-1111	VOLTAGE RATING: NOT APPLICABLE		APVD DE MILLER 3-24-93	NAME UL 486 A-B
TOOLING INFORMATION	1-800-526-5142	WIRE CROSS SECTIONAL AREA RANGE, 10.5-16.8mm²[20,800-33,100] CIR MILS SOLID OR STRANDED		0 PLC ± - 1 PLC ± - 2 PLC ± - 3 PLC ± 0.127[.005] 4 PLC ± - ANGLES ± -	PRODUCT SPEC APPLICATION SPEC
FOR ORDER ENTRY		MATERIAL COPPER PER PER ASTM B-152 ANNEALED	FINISH TIN PLATE 0.00254[.000100] MIN THK PER ASTM B545	WEIGHT	SIZE A2
				CUSTOMER DRAWING	CAGE CODE 00779
				SCALE 4:1	DRAWING NO 330969
				SHEET 1 OF 1	RESTRICTED TO -
				REV F1	