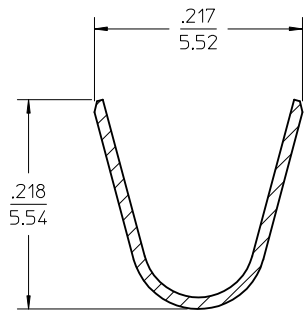
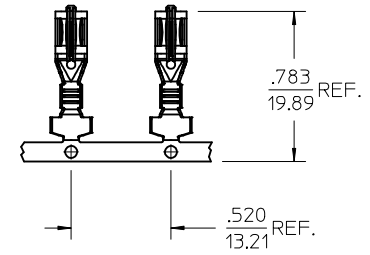
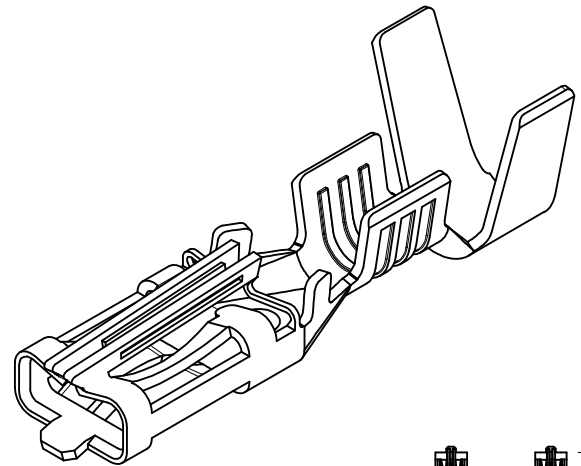
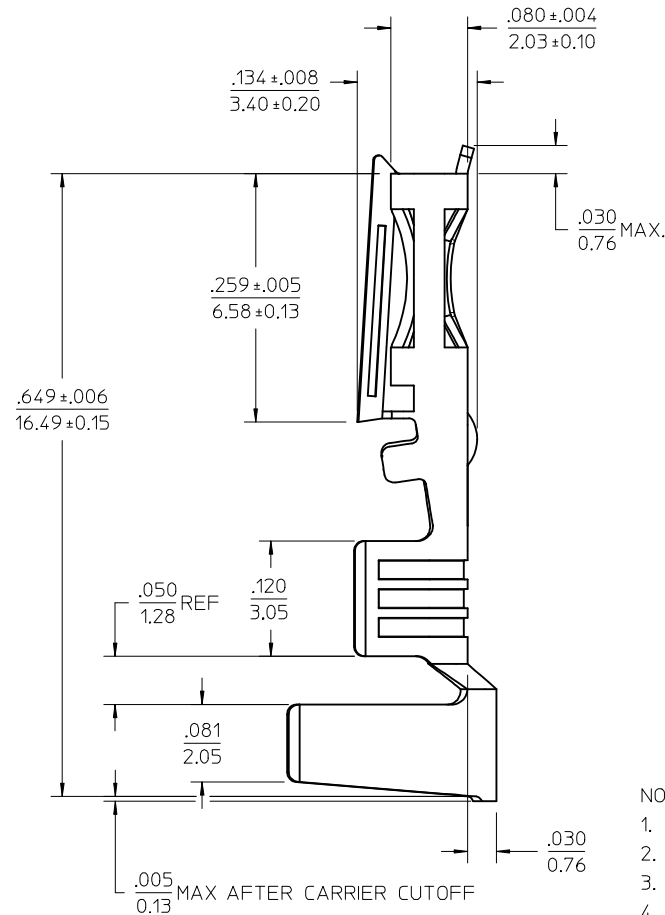


SECTION S-S
CONDUCTOR CRIMP



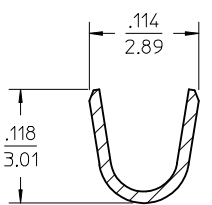
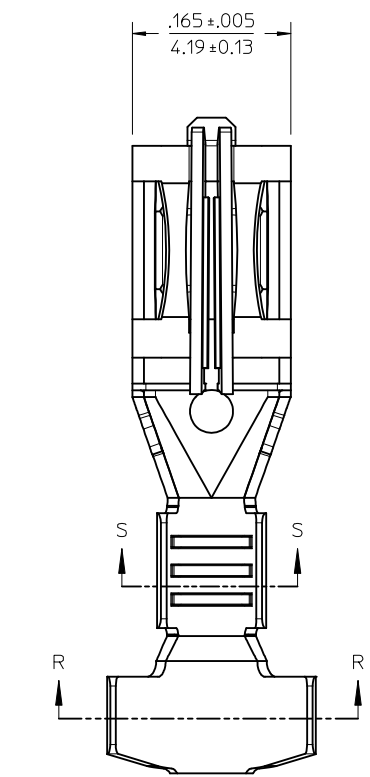
SECTION R-R
INSULATION CRIMP



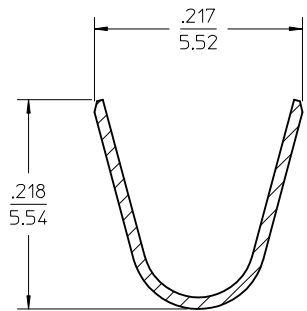
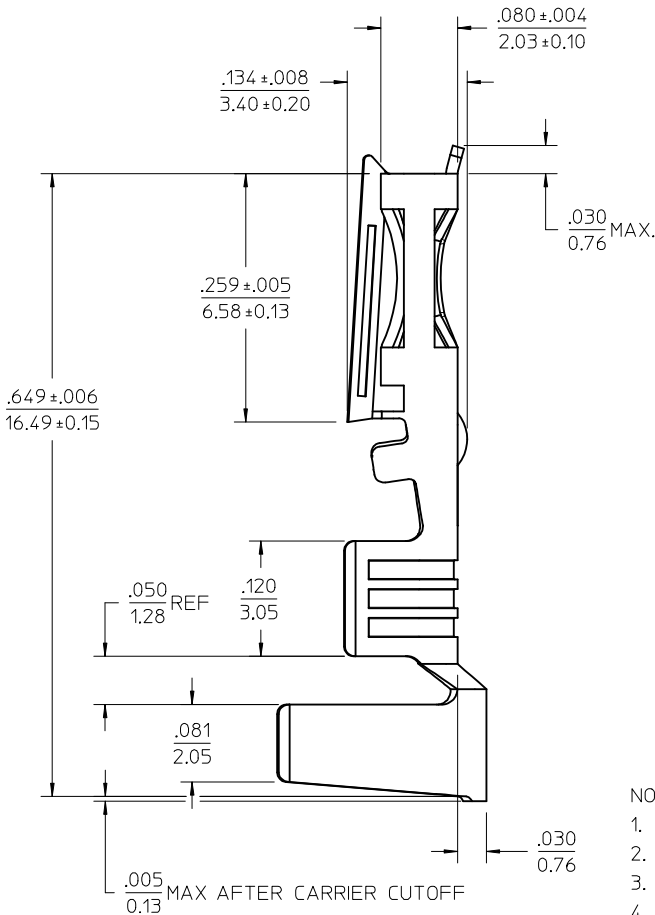
CARRIER STRIP PROGRESSION

- NOTES:
1. MATERIAL: BRASS
 2. FINISH: 20 MICRORINCH / (0.5 MICROMETER) MIN. PREPLATED HOT TIN DIP FINISH.
 3. PRODUCT SPECIFICATION: PS-43374-001.
 4. PACKAGING: TERMINALS WOUND ON 24" REELS WITH PAPER INTERLEAF, 3000 PER REEL.
 5. THIS TERMINAL INTENDED FOR USE WITH TWO 20 AWG STRANDED WIRES, UL STYLE 1007 OR 1015.
 6. TERMINAL MATES TO .125/3.18 WIDE X .020/0.51 THICK FLAT BLADE TERMINALS. MATING TERMINAL: 43178 SERIES
 7. SEE PRODUCT SPECIFICATION FOR INSULATOR HOUSINGS USED WITH TERMINAL.

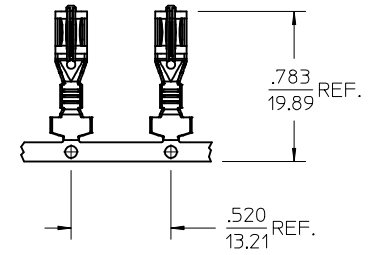
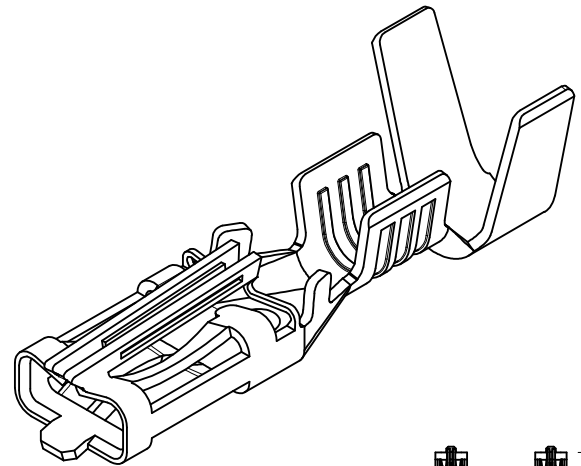
CORRECT TOLERANCE EC NO: UCP2014-5466 DRWN:JDOX 2014/07/09 CHKD:ANDERSON 2014/07/09 APPR:FSMLTH 2014/07/17	QUALITY SYMBOLS ∇=0 ∇=0 ∇=0	GENERAL TOLERANCES (UNLESS SPECIFIED) <table border="1"> <tr> <th></th> <th>mm</th> <th>INCH</th> </tr> <tr> <td>4 PLACES</td> <td>± .---</td> <td>± .---</td> </tr> <tr> <td>3 PLACES</td> <td>± .---</td> <td>± .010</td> </tr> <tr> <td>2 PLACES</td> <td>± 0.25</td> <td>± .014</td> </tr> <tr> <td>1 PLACE</td> <td>± 0.35</td> <td>± .---</td> </tr> <tr> <td>0 PLACE</td> <td>± .---</td> <td>± .---</td> </tr> </table>		mm	INCH	4 PLACES	± .---	± .---	3 PLACES	± .---	± .010	2 PLACES	± 0.25	± .014	1 PLACE	± 0.35	± .---	0 PLACE	± .---	± .---	DIMENSION STYLE IN/MM	SCALE 10:1	DESIGN UNITS INCH	THIRD ANGLE PROJECTION
		mm	INCH																					
	4 PLACES	± .---	± .---																					
	3 PLACES	± .---	± .010																					
2 PLACES	± 0.25	± .014																						
1 PLACE	± 0.35	± .---																						
0 PLACE	± .---	± .---																						
MATERIAL NO. 433745001	DOCUMENT NO. SD-43374-331	SHEET NO. 1 OF 1	TITLE TERMINAL, FEM, 2X20 AWG FOR .125/(3.18) WIDE TAB W/O TPA; UL1007, 1015																					
DRAFT WHERE APPLICABLE MUST REMAIN WITHIN DIMENSIONS	SIZE C	THIS DRAWING CONTAINS INFORMATION THAT IS PROPRIETARY TO MOLEX INCORPORATED AND SHOULD NOT BE USED WITHOUT WRITTEN PERMISSION																						
A2	REV																							



SECTION S-S
CONDUCTOR CRIMP



SECTION R-R
INSULATION CRIMP



CARRIER STRIP PROGRESSION

- NOTES:
1. MATERIAL: BRASS
 2. FINISH: 20 MICRORINCH / (0.5 MICROMETER) MIN. PREPLATED HOT TIN DIP FINISH.
 3. PRODUCT SPECIFICATION: PS-43374-001.
 4. PACKAGING: TERMINALS WOUND ON 24" REELS WITH PAPER INTERLEAF, 3000 PER REEL.
 5. THIS TERMINAL INTENDED FOR USE WITH TWO 20 AWG STRANDED WIRES, UL STYLE 1007 OR 1015.
 6. TERMINAL MATES TO .125/3.18 WIDE X .020/0.51 THICK FLAT BLADE TERMINALS. MATING TERMINAL: 43178 SERIES
 7. SEE PRODUCT SPECIFICATION FOR INSULATOR HOUSINGS USED WITH TERMINAL.

CORRECT TOLERANCE EC NO: UCP2014-5466 DRWN:JDOX 2014/07/09 CHKD:ANDERSON 2014/07/09 APPR:FSMLTH 2014/07/17	QUALITY SYMBOLS ∇=0 ∇=0 ∇=0	GENERAL TOLERANCES (UNLESS SPECIFIED)		DIMENSION STYLE		SCALE	DESIGN UNITS	THIRD ANGLE PROJECTION		
				IN/MM		10:1	INCH			
				mm	INCH	DRAWN BY		DATE		TITLE TERMINAL, FEM, 2X20 AWG FOR .125/(3.18) WIDE TAB W/O TPA; UL1007, 1015
				4 PLACES ± --- ± ---	± ---	BWIRKUS	1-25-2010		molex	
		3 PLACES ± --- ± .010	± .010	CHECKED BY	DATE		DOCUMENT NO.	SHEET NO.		
		2 PLACES ± 0.25 ± .014	± .014	BWIRUS	1-25-2010		SD-43374-331	1 OF 1		
		1 PLACE ± 0.35 ± ---	± ---	APPROVED BY	DATE					
		0 PLACE ± --- ± ---	± ---	APATEL	1-25-2010					
		ANGULAR ±1/2°		MATERIAL NO.						
		DRAFT WHERE APPLICABLE MUST REMAIN WITHIN DIMENSIONS		433745001						
				SIZE		THIS DRAWING CONTAINS INFORMATION THAT IS PROPRIETARY TO MOLEX INCORPORATED AND SHOULD NOT BE USED WITHOUT WRITTEN PERMISSION				
A2										