

5749717-1 ✓ ACTIVE

## AMPLIMITE

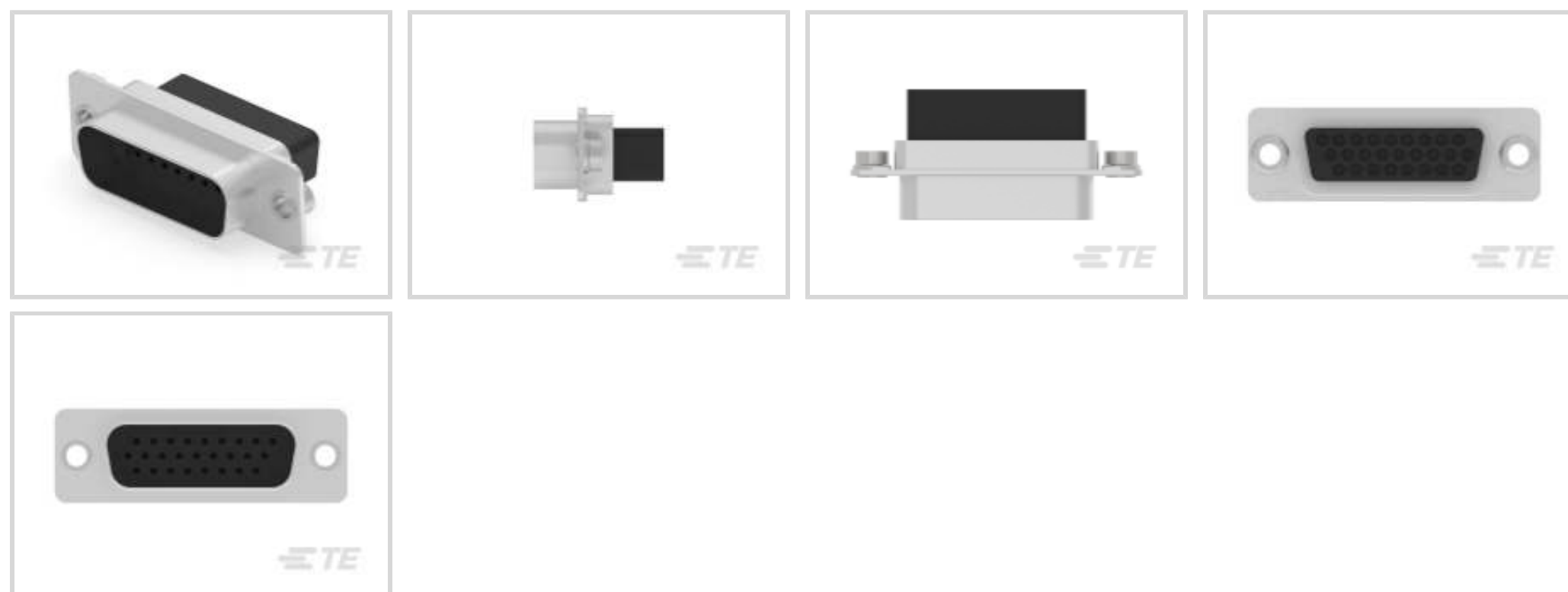
TE Internal #: 5749717-1

Crimp D-Sub Connectors, Plug, Cable-to-Cable, 26 Position,  
Contact Size Size 22, 2 Connector Shell Size, Mating Retention,  
Shielded

[View on TE.com >](#)



Connectors > D-Shaped Connectors > D-Sub Connectors > Crimp D-Sub Connectors > D-Sub Crimp: Plug, Signal, 26 Posn, Pin Size 22, Shell Size 2



Connector & Housing Type: **Plug**

Connector System: **Cable-to-Cable**

Number of Positions: **26**

Contact Size: **Size 22**

Connector Shell Size: **2**

[All D-Sub Crimp: Plug, Signal, 26 Posn, Pin Size 22, Shell Size 2 \(4\)](#)

## Features

### Product Type Features

Shell Material Configuration	Front Metal Shell
Ground Feature Type	Grounding Indents
Connector & Housing Type	Plug
Connector System	Cable-to-Cable
Connector Shell Size	2
Sealable	No
Connector & Contact Terminates To	Wire & Cable

### Configuration Features

Number of Positions	26
---------------------	----

### Body Features

Insert Material	Glass-Filled Nylon
Shell Plating Material	Tin



### Contact Features

Contact Size	Size 22
--------------	---------

### Mechanical Attachment

Mating Retention	With
Mating Retention Type	Clinch Nut, 4-40 UNC

### Housing Features

Shell Material	Steel
Centerline (Pitch)	2.28 mm[.09 in]

### Usage Conditions

Operating Temperature Range	-55 – 105 °C[-67 – 221 °F]
-----------------------------	----------------------------

### Operation/Application

Shielded	Yes
Circuit Application	Signal

### Industry Standards

UL Flammability Rating	UL 94V-0
------------------------	----------

### Packaging Features

Packaging Quantity	400
Packaging Method	Package

## Product Compliance

[For compliance documentation, visit the product page on TE.com>](#)

EU RoHS Directive 2011/65/EU	Compliant
EU ELV Directive 2000/53/EC	Compliant
China RoHS 2 Directive MIIT Order No 32, 2016	No Restricted Materials Above Threshold
EU REACH Regulation (EC) No. 1907/2006	Current ECHA Candidate List: JUNE 2023 (235) Candidate List Declared Against: JUNE 2023 (235) Does not contain REACH SVHC
Halogen Content	BFR/CFR/PVC Free, but Br/Cl >900 ppm in other sources.
Solder Process Capability	Not applicable for solder process capability

Product Compliance Disclaimer

This information is provided based on reasonable inquiry of our suppliers and represents our current actual knowledge based on the information they provided. This information is subject to change. The part numbers that TE has identified as EU RoHS compliant have a maximum concentration of 0.1% by weight in homogenous materials for lead, hexavalent chromium, mercury, PBB, PBDE, DBP, BBP, DEHP, DIBP, and 0.01% for cadmium, or qualify for an exemption to these limits as defined in the Annexes of Directive 2011/65/EU (RoHS2). Finished electrical and electronic equipment products will be CE marked as required by Directive 2011/65/EU. Components may not be CE marked. Additionally, the part numbers that TE has identified as EU ELV compliant have a maximum concentration of 0.1% by weight in homogenous materials for lead, hexavalent chromium, and mercury, and 0.01% for cadmium, or qualify for an exemption to these limits as defined in the Annexes of Directive 2000/53/EC (ELV). Regarding the REACH Regulation, the information TE provides on SVHC in articles for this part number is based on the latest European Chemicals Agency (ECHA) 'Guidance on requirements for substances in articles' posted at this URL: <https://echa.europa.eu/guidance-documents/guidance-on-reach>

## Compatible Parts



TE Part # CAT-038-DCRSS222  
D-Sub Crimp Recept Signal 26 Posn,  
Socket Size 22, Shell Size 2



TE Part # CAT-038-DCPPS222  
D-Sub Crimp: Plug, Signal, 26 Posn,  
Pin Size 22, Shell Size 2



TE Part # 5206471-1  
CABLE CLAMP KIT, SZ 2

## Customers Also Bought



TE Part #175217-3  
DYNAMIC REC CONTACT M L/P



TE Part #5227161-6  
RTANG JK W/MTG PINS, BNC PCB



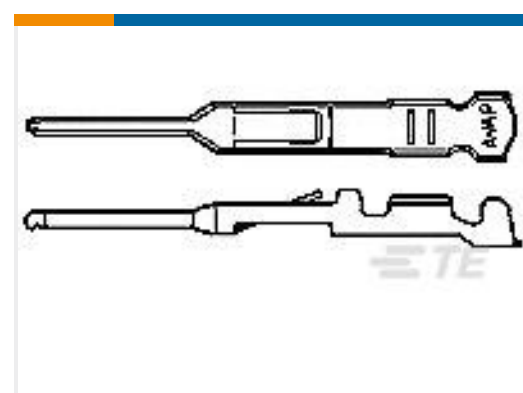
TE Part #5084616-1  
0.8FH,R13H.5,040,08/Sn,TR,SC



TE Part #1-1473562-4  
RITS CONN. PLUG ASSY 4P RED



TE Part #172211-8  
8P CAP HSG FREE HABG EI S CONN



TE Part #170429-1  
EIS REC CONT 26-20 AWG BR TN



TE Part #170204-2  
EIS CONTACT

## Documents

**Product Drawings**  
PLUG ASSY,26P,HDP-22,CN

English

**CAD Files**  
Customer View Model



[ENG\\_CVM\\_CVM\\_5749717-1\\_O1.3d\\_igs.zip](#)

English

**Customer View Model**

[ENG\\_CVM\\_CVM\\_5749717-1\\_O1.3d\\_stp.zip](#)

English

**Customer View Model**

[ENG\\_CVM\\_CVM\\_5749717-1\\_O1.2d\\_dxf.zip](#)

English

**3D PDF**

3D

**3D PDF**

English

**Customer View Model**

[ENG\\_CVM\\_5749717-1\\_O.2d\\_dxf.zip](#)

English

**Customer View Model**

[ENG\\_CVM\\_5749717-1\\_O.3d\\_igs.zip](#)

English

**Customer View Model**

[ENG\\_CVM\\_5749717-1\\_O.3d\\_stp.zip](#)

English

By downloading the CAD file I accept and agree to the [Terms and Conditions](#) of use.

---

## Datasheets & Catalog Pages

[AMPLIMITE Subminiature D Connectors - Cable Connectors](#)

English

[AMPLIMITE Cable Connectors and Shielding Hardware Kits QRG](#)

English

---

## Product Specifications

[Application Specification](#)

English

---

## Product Environmental Compliance

[PLUG ASSY,26P,HDP-22,CN](#)

English

[PLUG ASSY,26P,HDP-22,CN](#)

English

---

## Instruction Sheets

[Instruction Sheet \(U.S.\)](#)

English

---

## Agency Approvals

[UL Report](#)

English

5749717-1

Crimp D-Sub Connectors, Plug, Cable-to-Cable, 26 Position, Contact Size Size 22, 2  
Connector Shell Size, Mating Retention, Shielded

