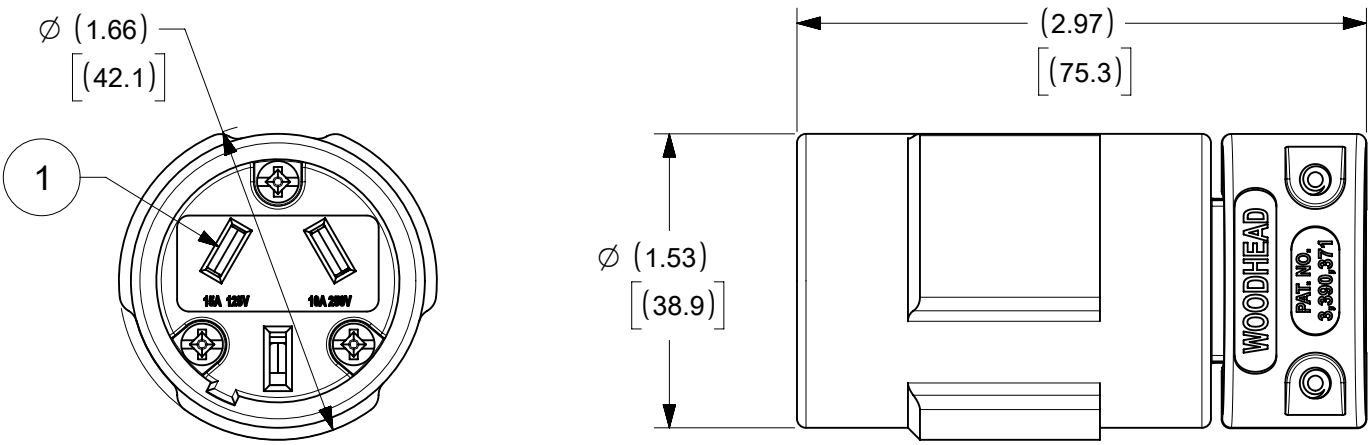
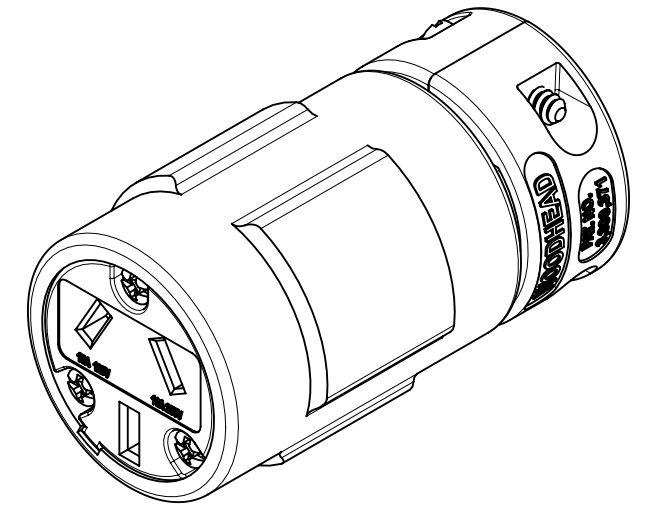
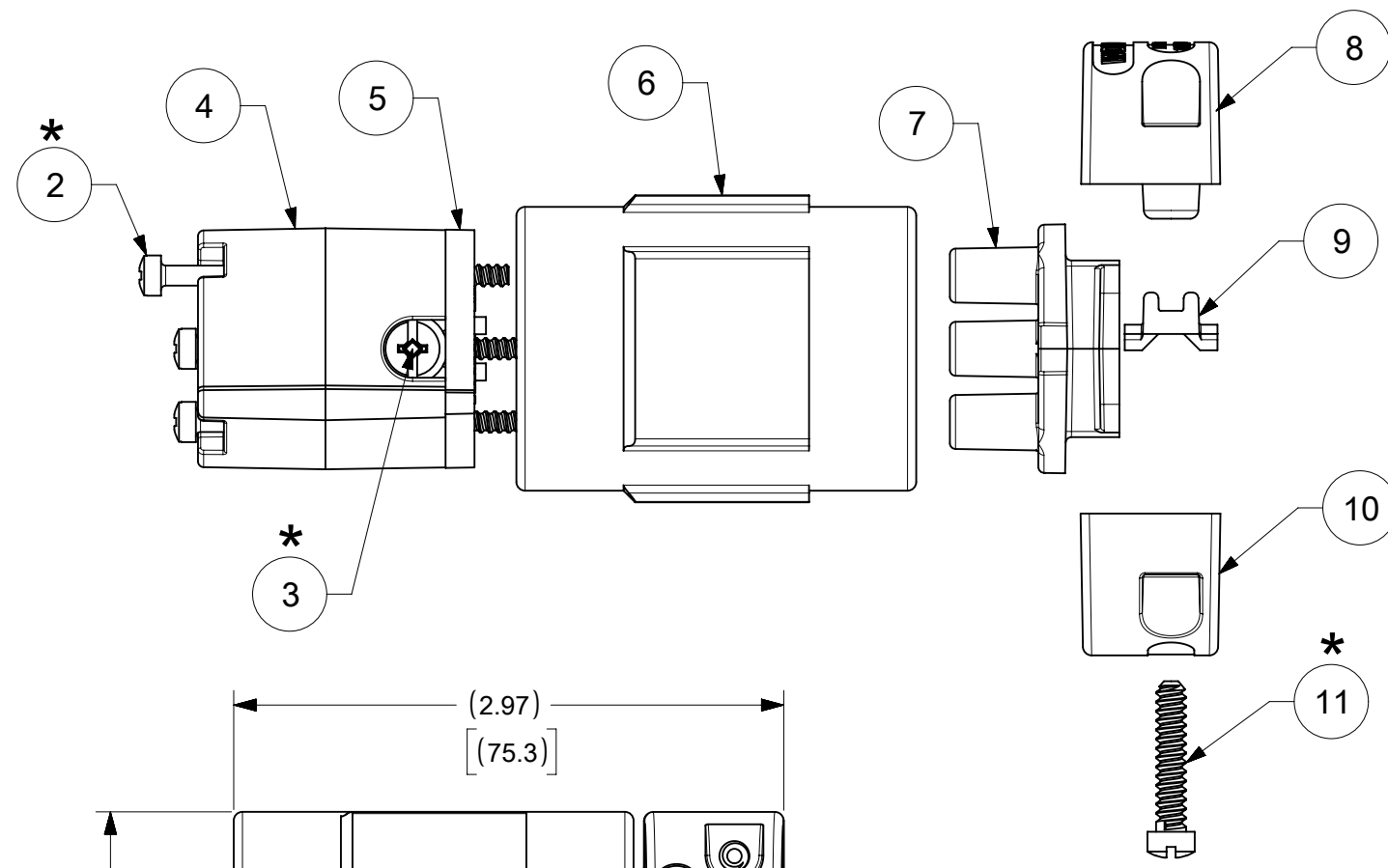
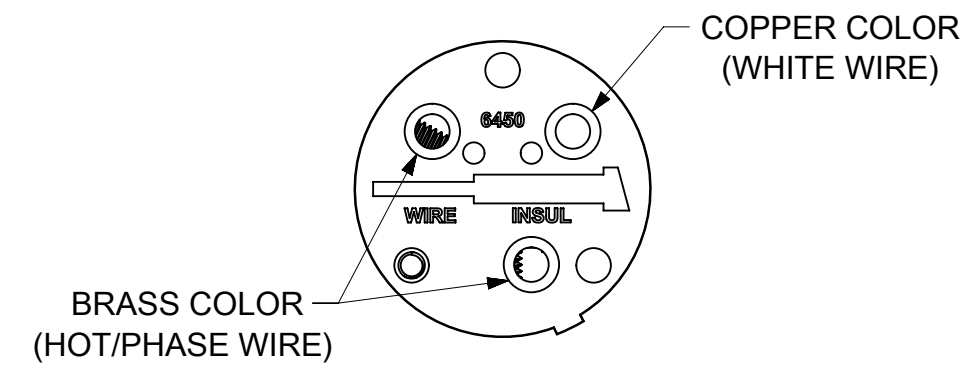


ORDER NO.	WOODHEAD NO.	COLOR
130141-0024	1507	YELLOW



**WIRING TERMINATION**  
CONFIGURATION  
10A 250V



\* FOR SCREW TORQUE, SEE ASSEMBLY INSTRUCTIONS

ITEM NO.	DESCRIPTIONS	MATERIAL	QTY.
1	CLIPS	BRASS, NICKEL PLATED	3
2	RETAINING SCREWS	STAINLESS STEEL	3
3	TERMINAL SCREWS/CLAMP ASSEMBLY	BRASS, ZINC PLATED	3
4	INSERT; YELLOW	NYLON	1
5	TERMINAL COVER	POLYCARBONATE	1
6	HOUSING; BLACK	NYLON	1
7	CLAMP SUPPORT	NYLON	1
8	CLAMP CORD MALE; BLACK	NYLON	1
9	CLAMP CORD INSERT	NYLON	1
10	CLAMP CORD FEMALE; BLACK	NYLON	1
11	RETAINING SCREWS	STEEL, ZINC PLATED	2

FUNCTIONAL SYMBOLS	THIS DRAWING CONTAINS INFORMATION THAT IS PROPRIETARY TO MOLEX ELECTRONIC TECHNOLOGIES, LLC AND SHOULD NOT BE USED WITHOUT WRITTEN PERMISSION		CURRENT REV DESC: NEW RELEASE	
	INCH	NTS		
DIVISIONAL SYMBOLS	GENERAL TOLERANCES (UNLESS SPECIFIED)		EC NO: 621340	
	MM	INCH	DRWN: VHANDI	2019/11/08
	4 PLACES ±	±	CHK'D: DNGUYEN62	2020/06/29
	3 PLACES ±	± 0.005	APPR: HKNEELAND	2020/08/27
	2 PLACES ±	± 0.13 ± 0.01	INITIAL REVISION:	
	1 PLACE ±	± 0.25 ± 0.02	DRWN: DRWN BY	0099/99/99
	0 PLACES ±	±	APPR: APPR BY	0099/99/99
	ANGULAR TOL	± 0.5°	DOCUMENT NUMBER	
DRAFT WHERE APPLICABLE MUST REMAIN WITHIN DIMENSIONS		THIRD ANGLE PROJECTION	B-SIZE	SHEET NUMBER
			130141	1 OF 1
			MATERIAL NUMBER	CUSTOMER
			SEE TABLE	GENERAL MARKET
			DOC TYPE	DOC PART
			PSD	000
			REVISION	A
			SUPER-SAFEWAY CONN NON-NEMA 3P3W	
			PRODUCT CUSTOMER DRAWING	
			1301410024	