

SAFETY ORGANIZATIONS

THIS FILTER HAS BEEN FORMALLY RECOGNIZED, CERTIFIED OR APPROVED BY THE LISTED AGENCY. THEREFORE, ALL TEST REQUIREMENTS SPECIFIED IN THE LATEST REVISION OF THE FOLLOWING AGENCY STANDARDS HAVE BEEN MET:

- UL RECOGNIZED: UL 1283
- CSA CERTIFIED: CSA C22.2, # 8
- VDE APPROVED: EN 60939-2

OPERATING SPECIFICATIONS

LINE CURRENT/VOLTAGE: 10 AMP, 120/250 VAC,
10 AMP/40°C, 250 VAC

LINE FREQUENCY: 50-60Hz

MAXIMUM LEAKAGE CURRENT,
EACH LINE TO GROUND: 0.25 mA @ 120V 60Hz
0.50 mA @ 250V 50Hz

OPERATING AMBIENT TEMP. RANGE: -10°C TO +40°C @ RATED CURRENT, I_r .

IN AN AMBIENT, T_a , HIGHER THAN 40°C, THE MAXIMUM OPERATING CURRENT, I_o , IS AS FOLLOWS: $I_o = I_r \sqrt{\frac{85 - T_a}{45}}$

RELIABILITY SPECIFICATIONS:

STORAGE TEMPERATURE: -40°C TO +85°C
HUMIDITY: 21 DAYS @ 40°C 95% RH.
CURRENT OVERLOAD TEST: 6 TIMES I_r FOR 8 SECONDS

TEST SPECIFICATIONS:

INDUCTANCE: 0.35 mH NOMINAL
CAPACITANCE: (MEASURED @ 1KHz, 0.250VAC MAX., 25°C±1°C)
LINE TO GROUND: 0.0058 µF ±20%
LINE TO LINE: 0.0485 µF ±20%
DISCHARGE RESISTOR: 1.5 MΩ
L/S AND L/L I.R.
NO DISCHARGE RESISTOR: 6000MΩ (MIN.) @ 100VDC, 20°C AND 50% RH

RECOMMENDED RECEIVING INSPECTION HIPOT:

LINE TO GROUND: 1500VAC OR 2250VDC FOR 1 MINUTE
LINE TO LINE: 1450VDC FOR 1 MINUTE

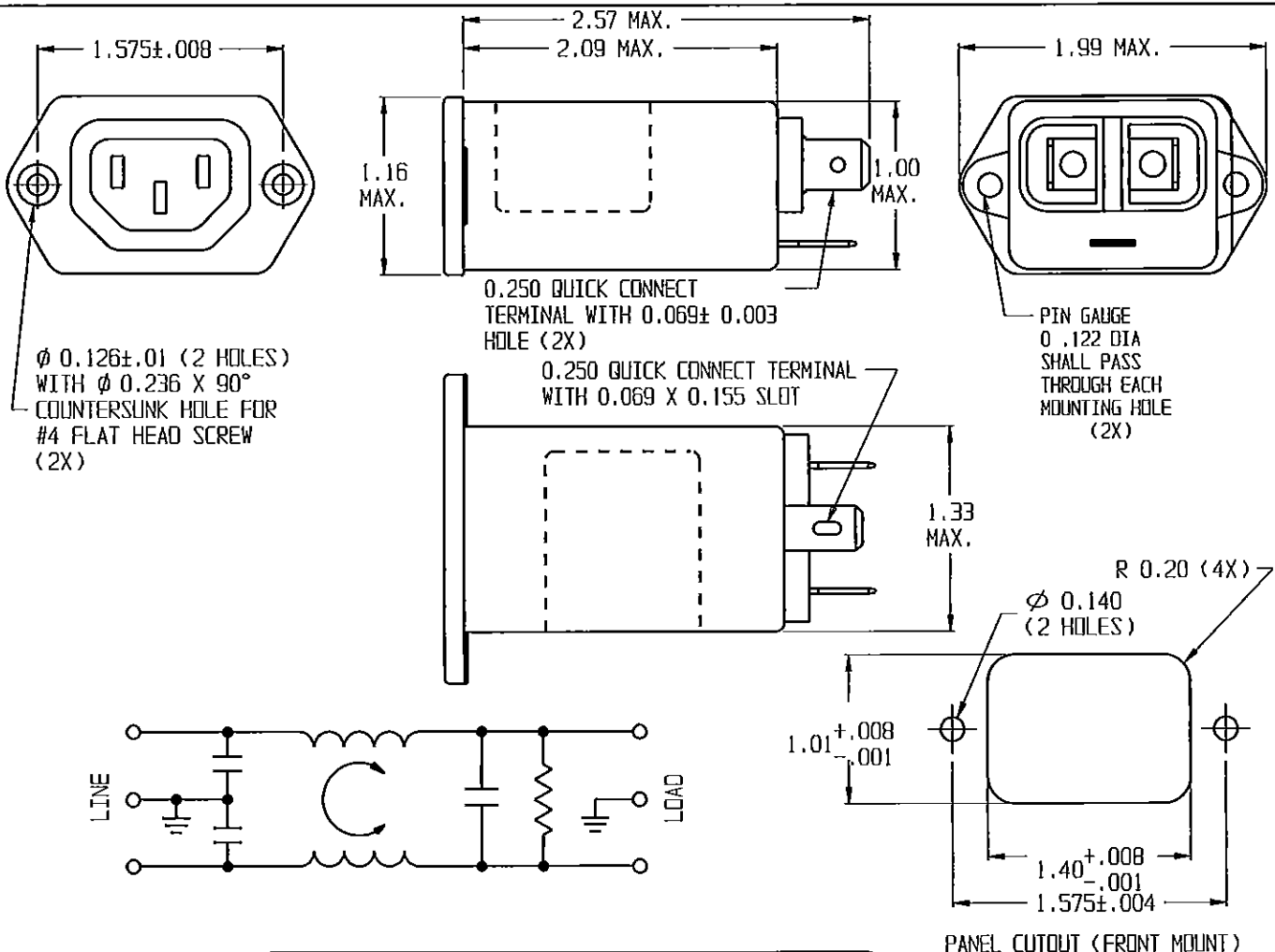
FILTER APPROVAL:

THE BEST WAY TO SELECT AND QUALIFY A FILTER IS FOR YOUR ENGINEERING TO TEST THE UNIT IN YOUR EQUIPMENT.

CUSTOMER DRAWING

CATALOG # 10EBF1

FCN #	APPRVD.	DATE
13-019328	TAM	10DEC13



Ø 0.126±.01 (2 HOLES)
WITH Ø 0.236 X 90°
COUNTERSUNK HOLE FOR
#4 FLAT HEAD SCREW
(2X)

0.250 QUICK CONNECT
TERMINAL WITH 0.069± 0.003
HOLE (2X)

0.250 QUICK CONNECT TERMINAL
WITH 0.069 X 0.155 SLOT

PIN GAUGE
0.122 DIA
SHALL PASS
THROUGH EACH
MOUNTING HOLE
(2X)

R 0.20 (4X)
Ø 0.140
(2 HOLES)

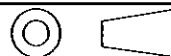
PANEL CUTOUT (FRONT MOUNT)

THIS FILTER LINE AND LOAD ARE REVERSED; THE SOCKET IS LOAD.

50Ω- 50Ω (MINIMUM) INSERTION LOSS

FREQUENCY MHz	.05	.10	.15	.50	1	3	5	10	30
COMMON dB	1	3	5	14	20	-	32	38	47
DIFF. dB	1	2	10	16	19	19	39	40	

THIRD ANGLE
PROJECTION



UNLESS OTHERWISE SPECIFIED,
TOLERANCE TO BE ±.025
MATERIAL & FINISH: AS SUPPLIED

THIS INFORMATION IS CONFIDENTIAL AND PROPRIETARY TO TYCO ELECTRONICS CORPORATION AND ITS WORLDWIDE SUBSIDIARIES AND AFFILIATES. IT MAY NOT BE DISCLOSED TO ANYONE OTHER THAN TYCO ELECTRONICS PERSONNEL, WITHOUT WRITTEN AUTHORIZATION FROM TYCO ELECTRONICS CORPORATION.
HARRISBURG, PENNSYLVANIA USA

TE TE Connectivity

CORCON PRODUCTS, 620 S. BUTTERFIELD RD., MINDELEIN IL 60060

CUSTOMER DRAWING 10EBF1

TYCO ELECTRONICS PART NO.	6609018-7	CATALOG NO.	10EBF1	REV.	B
SCALE:	NTS	DATE:	05DEC08		
DRW. BY:	PJD	DRWG:	PJD		