

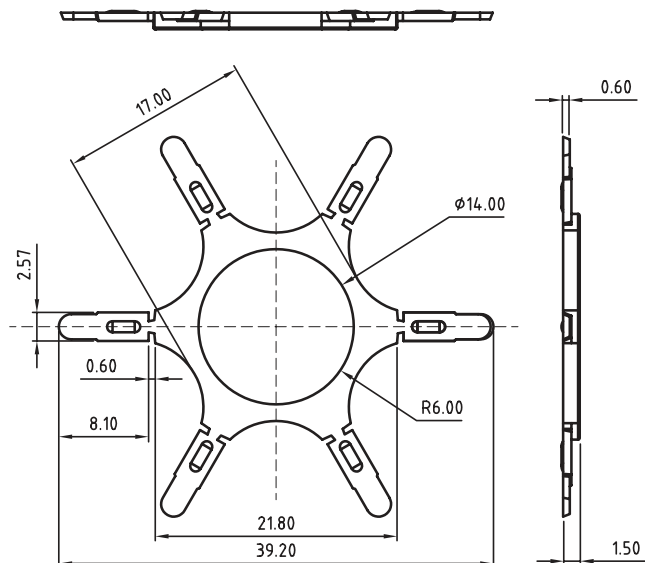
1

2

3

4

5



#### TECHNICAL CHARACTERISTICS

MATERIAL  
INSULATOR: PA 66  
FLAMABILITY RATING: UL94-V0  
COLOR: RED

ENVIRONMENTAL  
OPERATING TEMPERATURE: -40 UP TO 105°C  
COMPLIANCE: LEAD FREE AND ROHS

MECHANICAL  
APPLICABLE PITCH: 3.50 / 3.81MM

PACKAGING: BOX

#### INSTRUCTION FOR USE

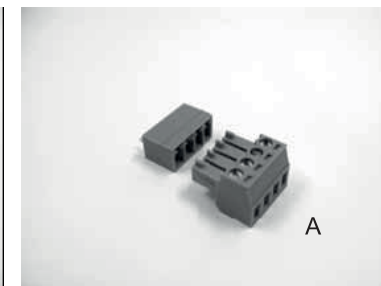
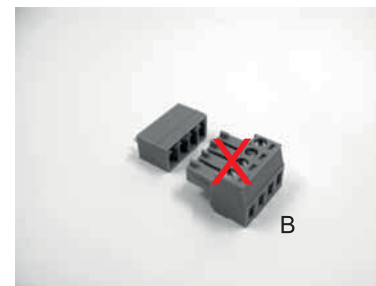
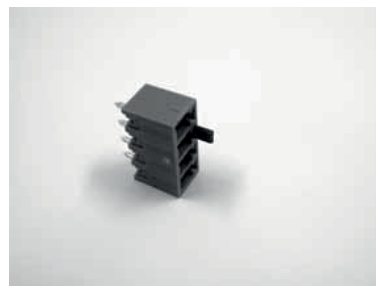
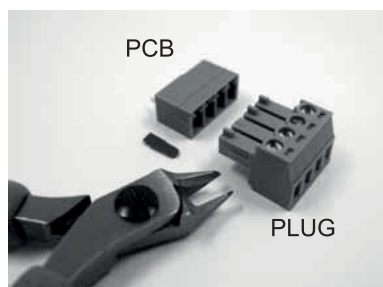
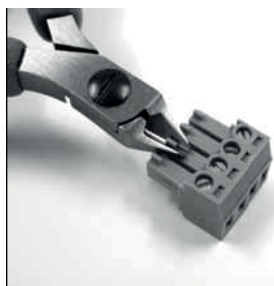
By using a coding key you avoid any risk of mis-plugging

For this you must add/break one part of the 691 399 900 003 in the PCB connector.

To cut the plug's nose on the corresponding pin n° makes the connection possible (see photo A)

Without cutting the plug's nose on the corresponding pin n° the connection becomes impossible (see photo B)

Please use recommended cut plier 600 691 000 001 for an razor cutting



RoHS Compliant

|     |           |        |    |                 |   |   |
|-----|-----------|--------|----|-----------------|---|---|
| G   |           |        |    | PROJECTION:<br> | GENERAL TOLERANCE<br>.X = +/- 0.2<br>.XX = +/- 0.15 |   |
| F   |           |        |    |                 |   |   |
| E   |           |        |    |                 |   |   |
| D   |           |        |    |                 |   |   |
| C   |           |        |    | APPROVAL: RJ    | UNIT: MM  | DESCRIPTION: CODING KEY FOR 3.50 & 3.81MM PITCH SERIES WR-TBL |
| B   | 18-JUL-13 | CODING | QL |                 | SCALE:  |   |
| A   | 05-NOV-08 | PDF    | JP |                 | SHEET: 1/1  | WERI PART NO: 691 399 900 003                                 |
| REV | DATE      | FILE   | BY |                 | DRAW: MARVIN  |   |

SIZE

**A4**