

PART NO.	ENG. NO.	LENGTH
1300062363	104001K12M020	6FT 7IN [2M]
1300062616	104001K12M030	9FT 10IN [3M]
1300069046	104001K12M050	16 FT 5IN [5M]
1300069047	104001K12M100	32FT 10IN [10M]
1300069048	104001K12M200	65 FT 7IN [20M]
1300069049	104001K12M300	98FT 5IN [30M]

# 104001K12M020

LENGTH  
M001 = .1 METERS  
M010 = 1.0 METERS  
M100 = 10 METERS

## PART NUMBER LEGEND

### NOTES:

- MATERIAL: AS NOTED
- FINISH: AS NOTED
- ELECTRICAL:  
VOLTAGE PER IEC60664: 483V  
600V PER UL 2238  
CURRENT: 10A
- TEMP RATING: -25° TO +90°C
- PROTECTION: IP67 (WHEN MATED)
- COUPLING THREAD: 7/8-16 UN
- UL LISTED FILE: E152210
- ALL DIMS ARE FOR REFERENCE UNLESS TOLERANCED OR NOTED OTHERWISE

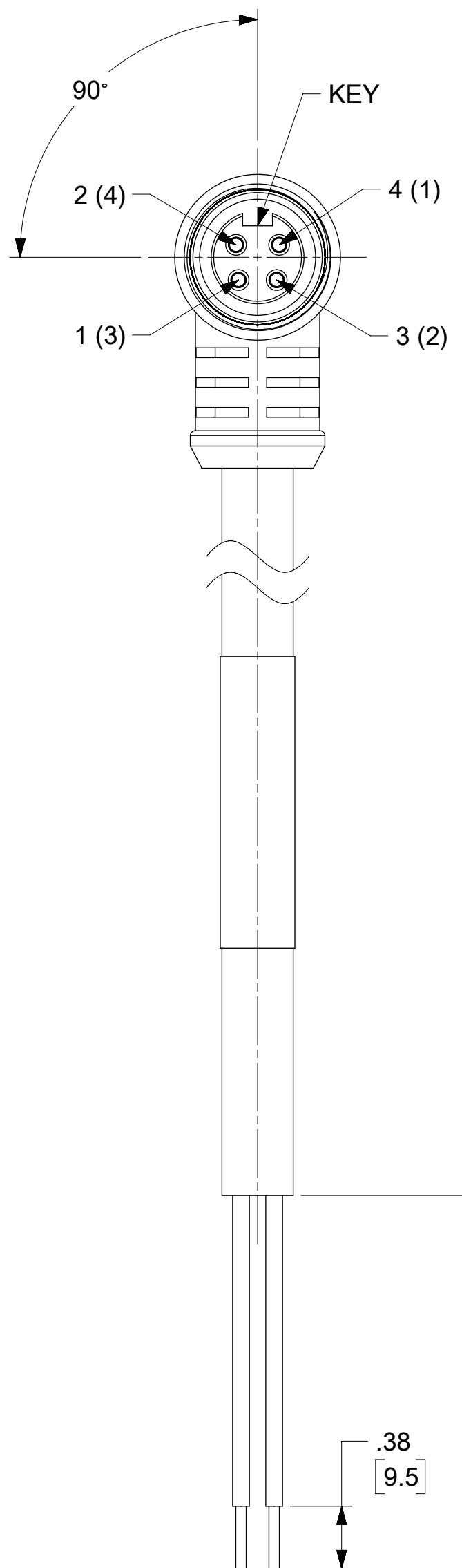
## CABLE FLEX CHARACTERISTICS

TORSIONAL FLEX TEST	20 MILLION CYCLES PER MIL-C-13777G
BEND FLEX TEST	20 MILLION CYCLES PER MIL-C-13777G
WELD SLAG RESISTANCE	WOODHEAD STANDARD S-300

ITEM	DESCRIPTION	MATERIAL	FINISH
7	WRAP LABEL	VINYL	BLACK/YELLOW
6	OVERMOLD (90 DEG)	TPE	TPE
5	COUPLING	ZINC DIE-CAST	BLACK E-COAT
4	FRICTION RING	NYLON	WHITE
3	CONTACT SOCKET	Cu ALLOY	GOLD PLATED
2	INSERT, 4P, FEMALE	TPE	YELLOW
1	CABLE, 16/4, FLEX	TPE JACKET	YELLOW

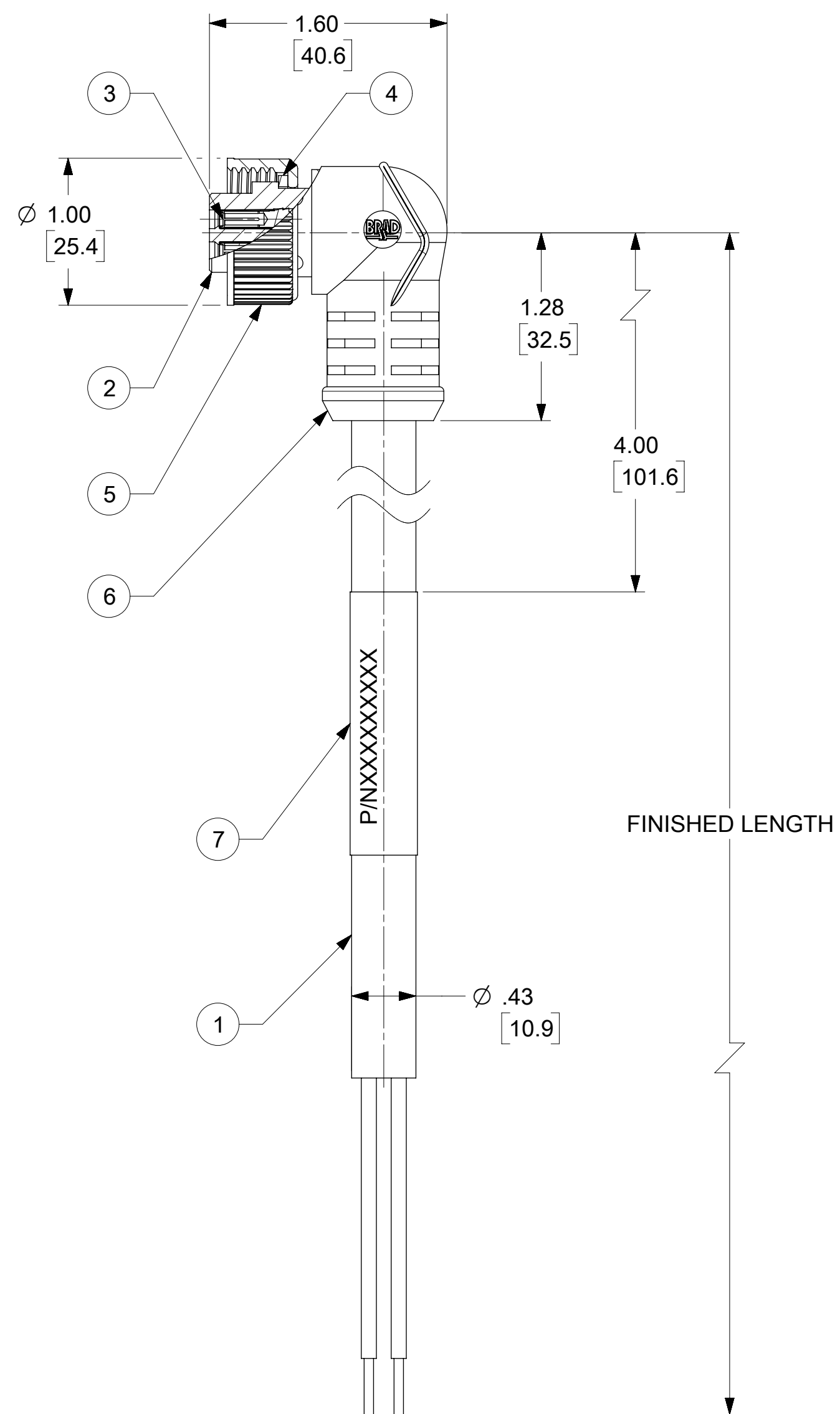
### CABLE LENGTH TOLERANCES

<.3M [1FT]: +19mm-0 [+1.75in-0]
.3 - .9M [1 - 3FT]: +44.5mm-0 [+1.75in-0]
.9 - 1.8M [3 - 6FT]: +55.6mm-0 [+2.19in-0]
1.8 - 3.7M [6 - 12FT]: +88.9mm-0 [+3.50in-0]
3.7 - 7.3M [12 - 24FT]: +165.1mm-0 [+6.50in-0]
7.3-14.6M [24 - 48FT]: +317.5mm-0 [+12.50in-0]
14.6 - 30.5M [48-100FT]: +622.3mm-0 [+24.50in-0]
OVER 30M [100FT] +2% OF FINISHED LENGTH



- (1) 4 - BLACK
- (2) 3 - BLUE
- (3) 1 - BROWN
- (4) 2 - WHITE

CENELEC 50 004  
SAE-J-1738A SHOWN  
IN (X) PARENTHESIS



FUNCTIONAL SYMBOLS	DIMENSION UNITS	SCALE	CURRENT REV DESC: REDRAWN TO NX UPDATE NOTES, ADD BOM TABLE, CABLE LENGTH TOLS, P/N LEGEND VOLTAGE WAS 10A, TEMP WAS 105°, ADD FLEX RATING, NEW P/N 1300062616				
$\nabla_A = 0$	INCH/MM	1.25:1	<p>EC NO: 693841</p> <p>DRWN: RSTONE 2022/01/26</p> <p>CHK'D: CCHRASKA 2022/01/31</p> <p>APPR: BWOODMAN 2022/02/09</p> <p>INITIAL REVISION:</p> <p>DRWN: GGUSTAFS 2013/10/04</p> <p>APPR: BWOODMAN 2013/11/12</p>				
$\nabla_E = 0$	GENERAL TOLERANCES (UNLESS SPECIFIED)					<p>4 PLACES ±</p>	
$\nabla_P = 0$	ANGULAR TOL ± °					<p>3 PLACES ±</p>	
	2 PLACES ±					<p>1 PLACE ±</p>	
	0 PLACES ±		<p>DRAFT WHERE APPLICABLE MUST REMAIN WITHIN DIMENSIONS</p>				
THIRD ANGLE PROJECTION			DRAWING	SERIES	DOCUMENT NUMBER		
			C-SIZE	130006	SD-130006-064		
			CUSTOMER	SHEET NUMBER	DOC TYPE   DOC PART   REVISION		
			GENERAL MARKET	1 OF 1	PSD 001 C		

DOCUMENT STATUS	P1	RELEASE DATE	2022/02/09 22:39:36