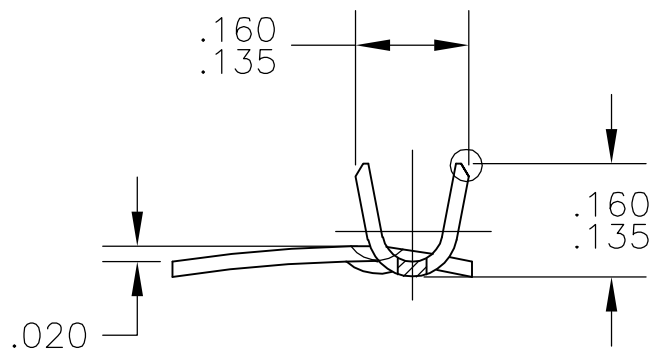
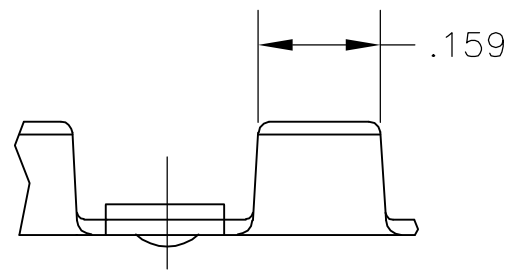
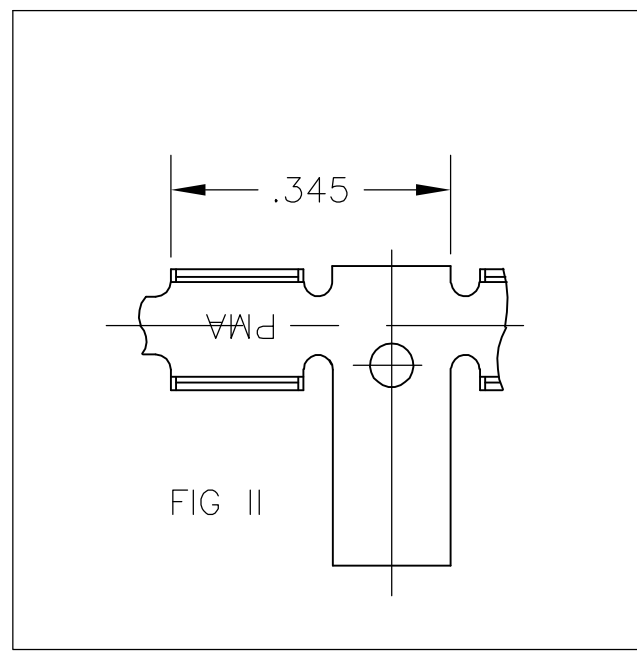
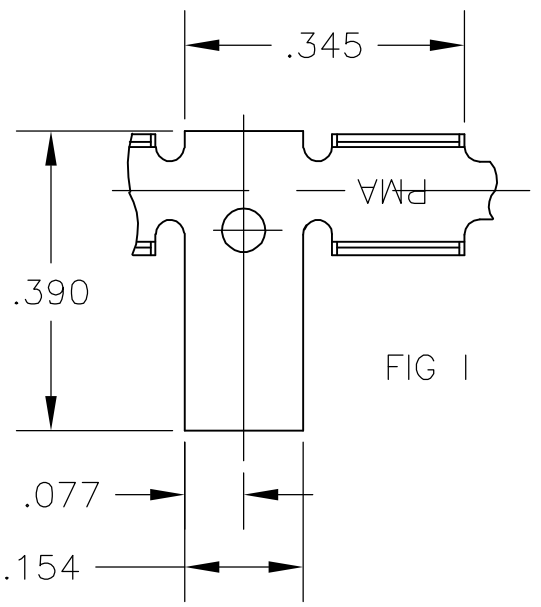


THIS DRAWING IS UNPUBLISHED. RELEASED FOR PUBLICATION  
 © COPYRIGHT BY TYCO ELECTRONICS CORPORATION. ALL RIGHTS RESERVED.

LOC	DIST	REVISIONS			
P	LTR	DESCRIPTION	DATE	DWN	APVD
AF	52	H1	REVISED PER ECR-06-027710	28NOV06	HMR GP

- 1 REVERSE REEL OF 42920-1
- 2 REVERSE REEL OF 42920-3
- 3 PRODUCT PROVIDED IN STRIP FORM ON REELS; BREAKS MAY BE PRESENT.
- 4 WIRE RANGE: 18-14 AWG
- 5 REF CRIMP WIDTH: .120 "F" TYPE



MATERIAL	REMARKS	PART NO.
.020 PHOS. BRONZE	FIG II 2	42920-4
.020 PHOS. BRONZE	FIG I	42920-3
<del>.020 BRASS</del>	<del>FIG II 1</del>	<del>42920-2</del>
<del>.020 BRASS</del>	<del>FIG I</del>	<del>42920-1</del>

THIS DRAWING IS A CONTROLLED DOCUMENT.		DWN RAGHAVENDRA 14NOV06	Tyco Electronics Corporation Harrisburg, Pa 17105-3608	
DIMENSIONS: INCHES	TOLERANCES UNLESS OTHERWISE SPECIFIED:	CHK G.D.PORTA	NAME	
	0 PLC ± -	APVD G.D.PORTA	WELD TAB	
	1 PLC ± -	PRODUCT SPEC	-	
	2 PLC ± -	APPLICATION SPEC	-	
	3 PLC ± .015	SIZE	CAGE CODE	DRAWING NO
	4 PLC ± -	A3 00779		C-42920
	ANGLES ± 1'0'	RESTRICTED TO		-
MATERIAL SEE TABLE	FINISH NONE	WEIGHT -	CUSTOMER DRAWING	
		SCALE 4:1	SHEET 1 OF 1	REV H1