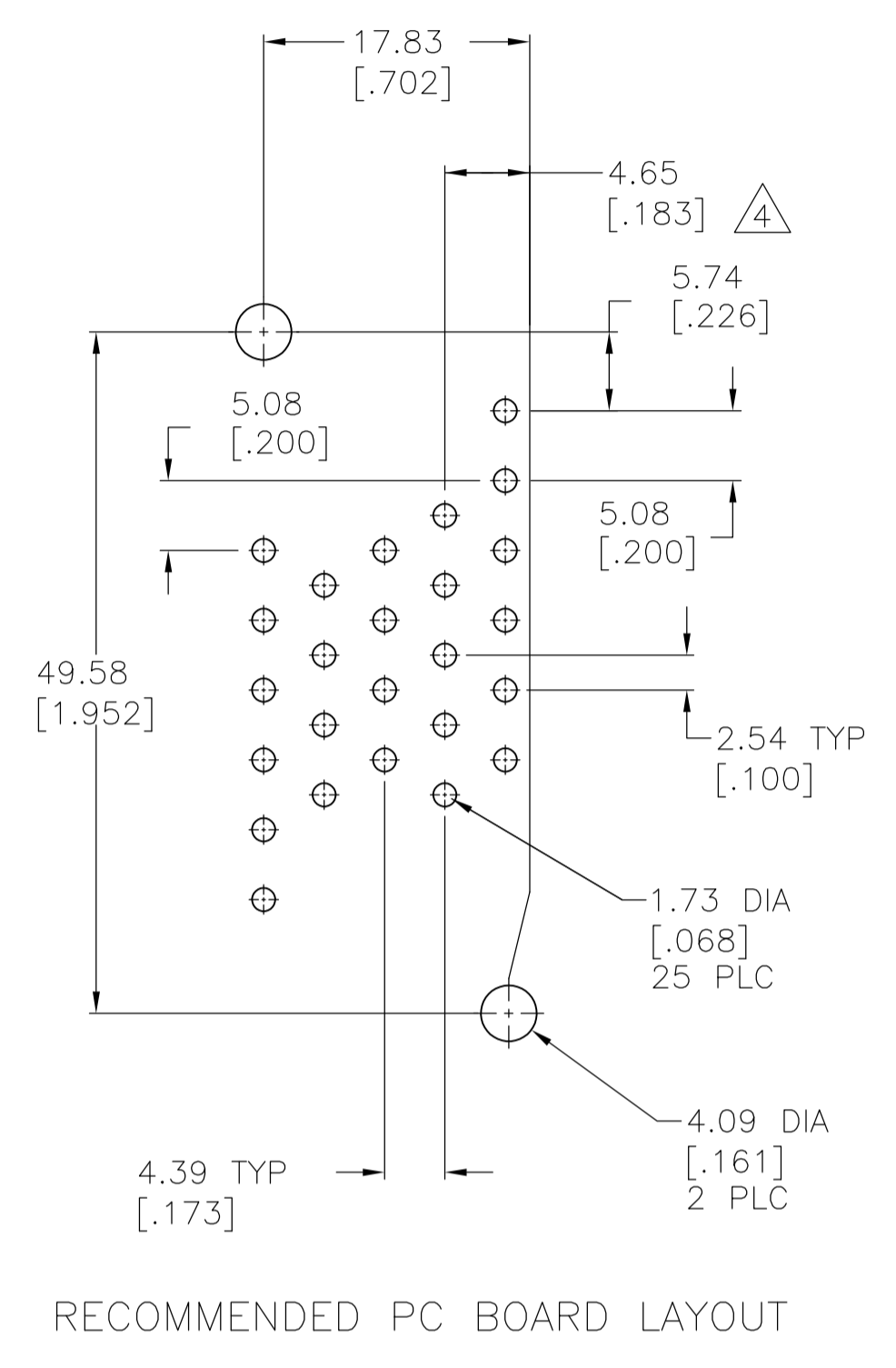
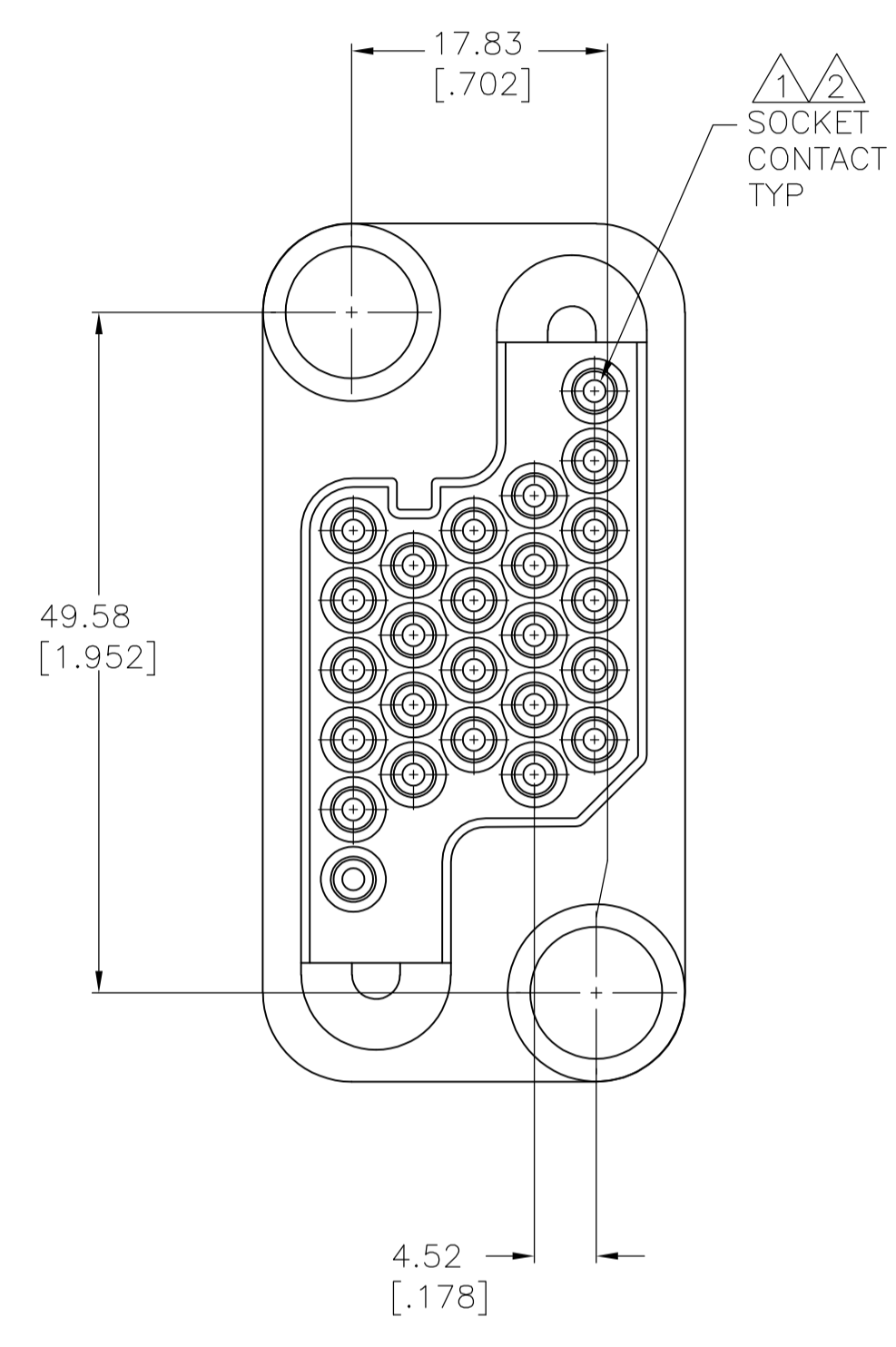
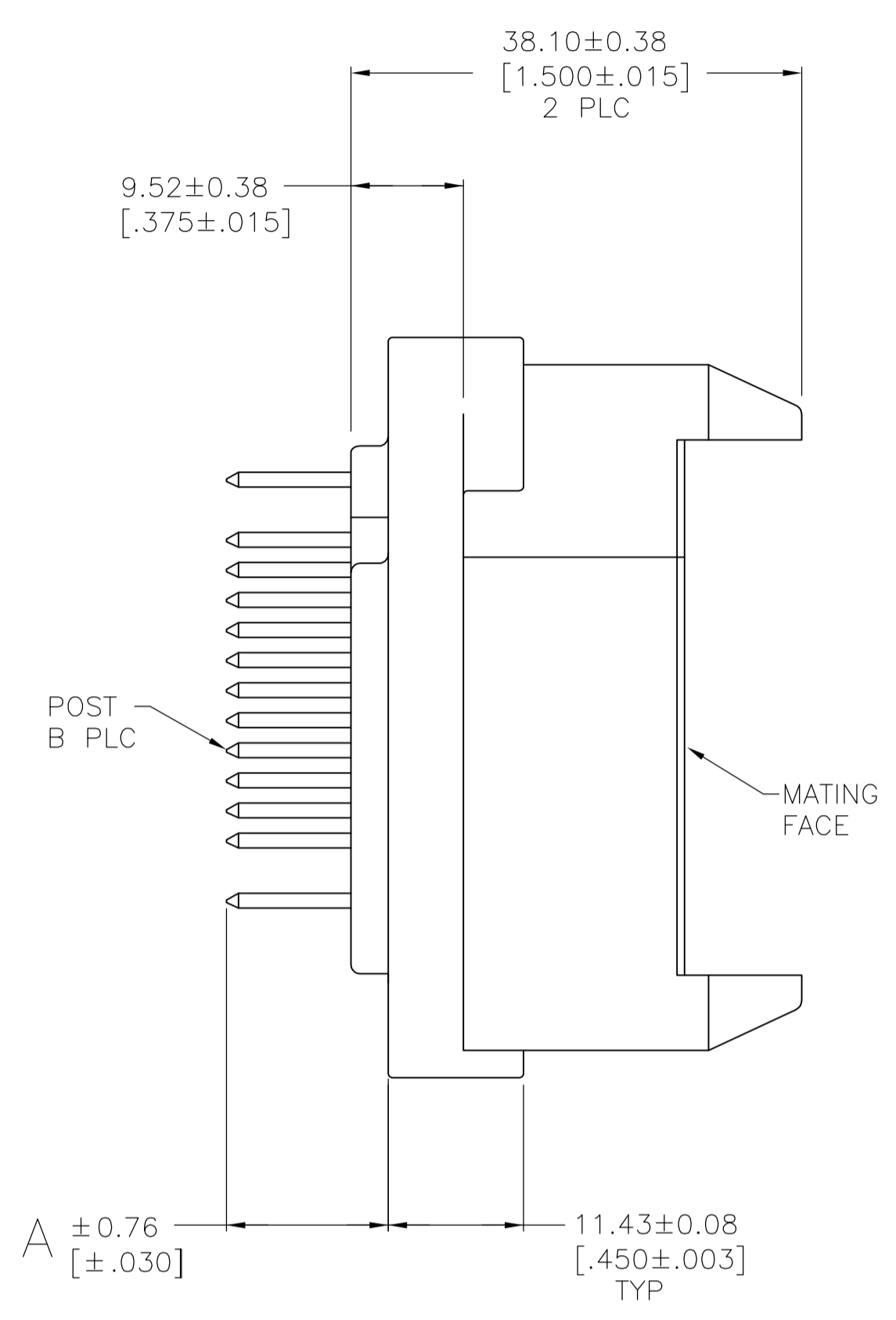
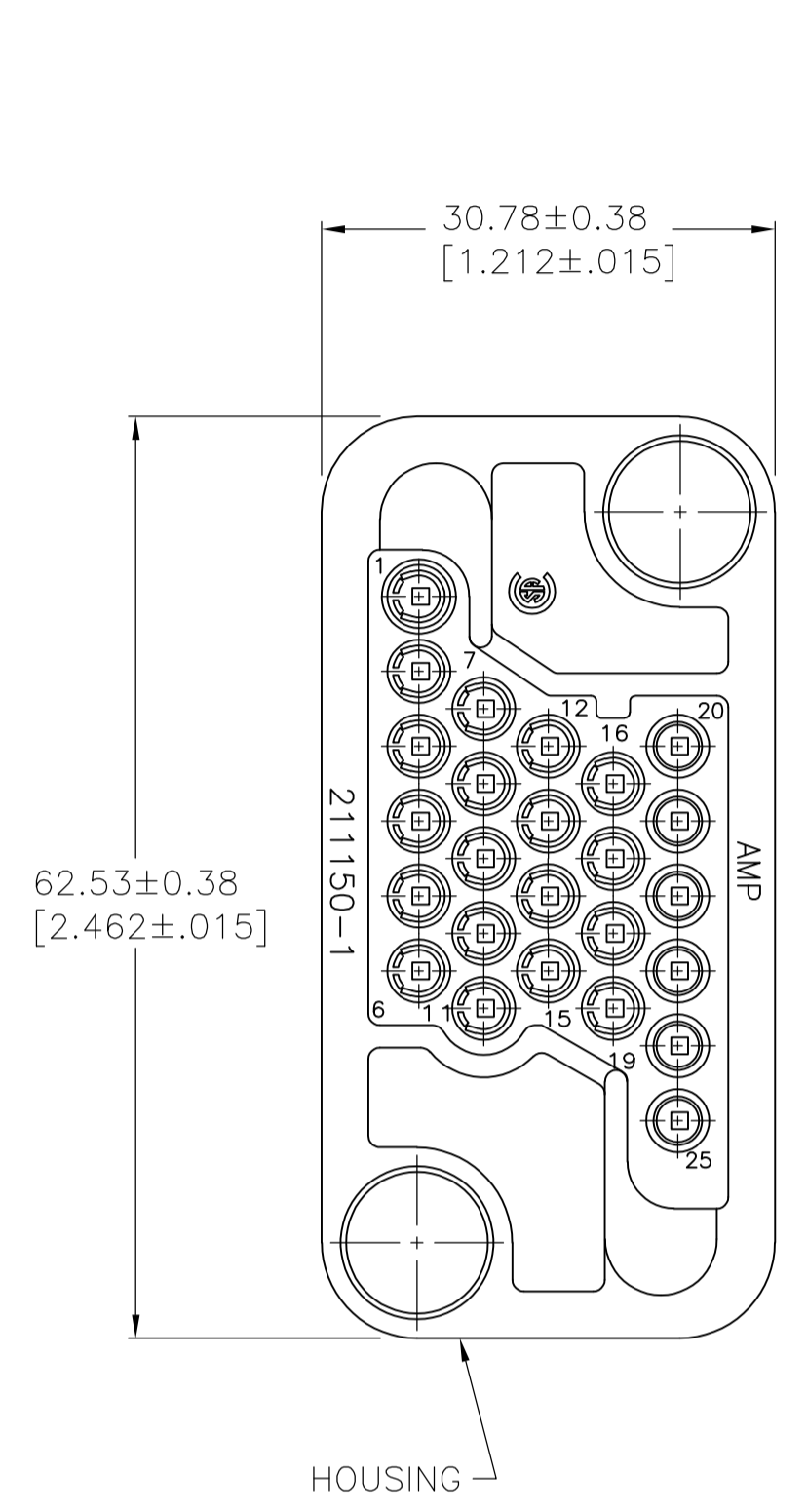


REVISIONS					
P	LTR	DESCRIPTION	DATE	DMN	APVD
C		REVISED PER ECO-16-004940	02AUG2016	NK	MZ



- ⚠ ALL POSITIONS LOADED WITH POSTED SOCKET CONTACTS EXCEPT 4,13,17,21, & 25.
- ⚠ SOCKET CONTACT: 0.76um[.000030] MIN GOLD FOR A LENGTH OF 5.08[.200] MIN FROM MATING END, GOLD FLASH ON THE REMAINDER, BOTH OVER 1.27um[.000050] MIN NICKEL ON SOCKET END. POST: 2.54um[.000100] MIN TIN-LEAD OVER 2.54um[.000100] MIN COPPER.
- 3. CONTACT ASSEMBLY SHOULD BE FULLY SEATED IN HOUSING PRIOR TO SOLDERING TO PRINTED CIRCUIT BOARD.
- ⚠ THIS DIMENSION HAS BEEN CHANGED FROM THE STANDARD MOUNTING DIMENSION BY 0.13[.005] DUE TO THE POSTED CONTACT.
- ⚠ HOUSING: POLYESTER, BLACK.  
SOCKET CONTACT: BRASS.  
SPRING: STAINLESS STEEL.  
POST: BRASS.
- ⚠ SOCKET CONTACT: 0.76um[.000030] MIN GOLD FOR A LENGTH OF 5.08[.200] MIN FROM MATING END, GOLD FLASH ON THE REMAINDER, BOTH OVER 1.27um[.000050] MIN NICKEL ON SOCKET END. POST: 2.54um[.000100] MIN TIN OVER 2.54um[.000100] MIN COPPER.
- ⚠ OBSOLETE PARTS: OBSOLETE CIS STREAMLINING PER D.RENAUD/D.SINISI

OBSELETE	⚠	⚠ (20)	20	13.18 [.519]	-213881-4-
	⚠	FULLY (25)	25	9.40 [.370]	213881-3
7 OBSELETE	⚠	⚠ (20)	20	13.18 [.519]	-213881-2-
OBSELETE	⚠	FULLY (25)	25	9.40 [.370]	-213881-1-
	FINISH	CAVITIES LOADED	B	A	PART NUMBER

THIS DRAWING IS A CONTROLLED DOCUMENT.

DIMENSIONS: mm [INCHES]	TOLERANCES UNLESS OTHERWISE SPECIFIED:	DIN C. OBERMAN 5-30-95	APVD R. STONE 5-30-95	NAME M. McALONIS	PRODUCT SPEC
	0 PLC ± -				
	1 PLC ± -				
	2 PLC ± 0.13 [.005]				
	3 PLC ± -				
	4 PLC ± -				
	ANGLES ± -				
MATERIAL	FINISH	WEIGHT	SIZE	CAGE CODE	DRAWING NO
			A1	00779	213881
			CUSTOMER DRAWING		SCALE 2:1
			SHEET 1 OF 1		REV C

STE TE Connectivity

PLUG ASSEMBLY, 25 POSITION, DRAWER CONNECTOR, METRIMATE