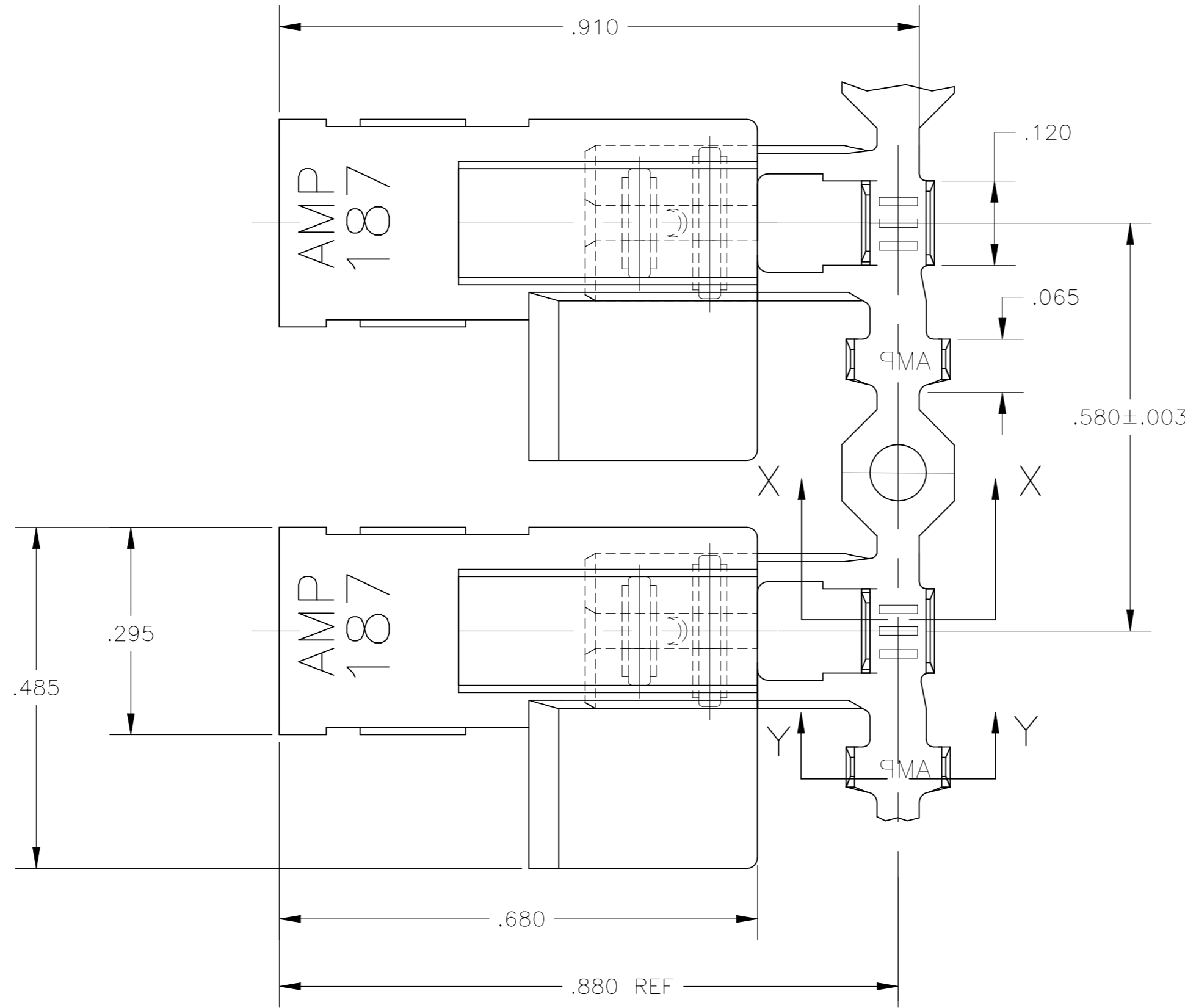
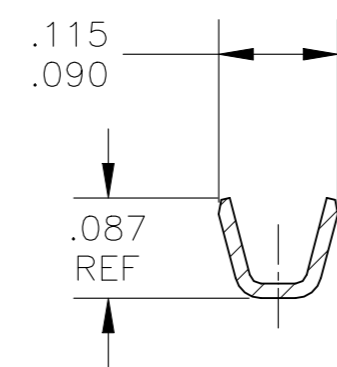
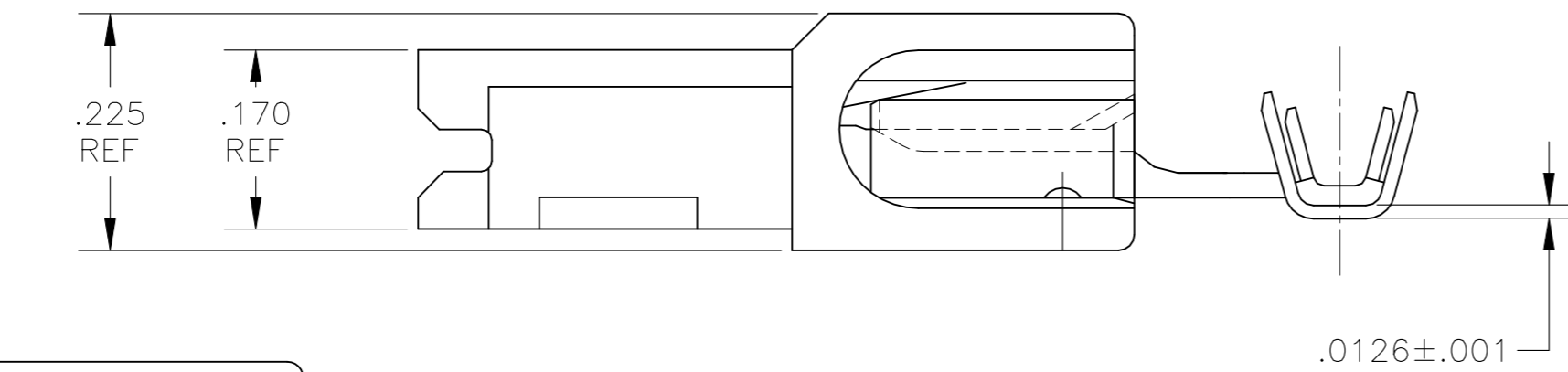


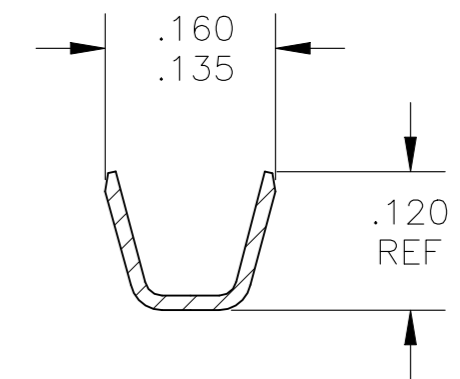
REVISIONS				
P	LTR	DESCRIPTION	DATE	APVD
B1		REVISED PER ECR-22-160893	14DEC2022	DB BW



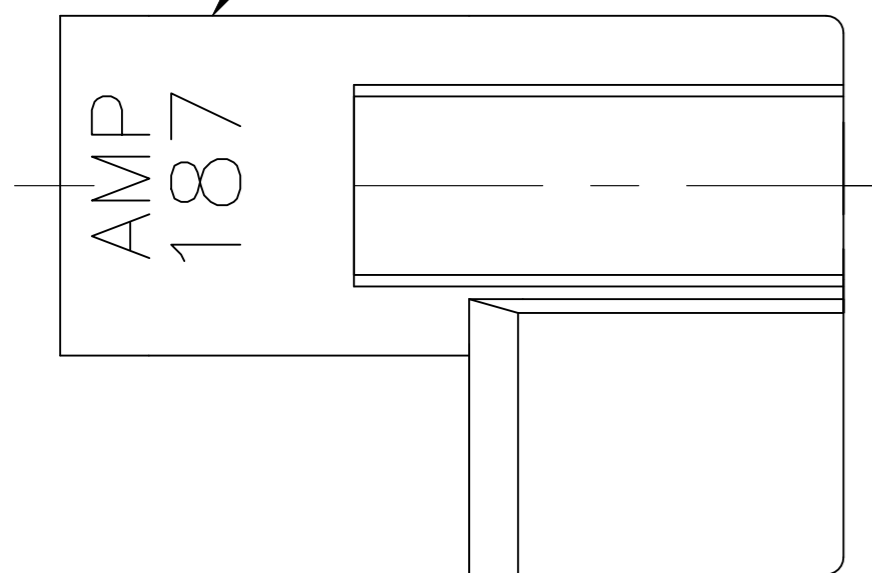
- 2 WIRE SIZE IS #22-#18 AWG
- 3 INSULATION RANGE IS .060-.110 DIA
- 4 MATERIAL;
TERMINAL: BRASS, FINISH: SEE TABLE
HOUSING: V2 NYLON, COLOR: NATURAL(WHITE)
- 5 FITS .187 X .020 THK FASTON TAB
- 6 ALTERNATIVE HOUSING FORM
- 7 PRELIMINARY - NOT FOR PRODUCTION
- 8 GLOW WIRE APPROVED; CONTACT TE ENGINEERING FOR SPECIFICATION (ALL WALL THICKNESSES ARE BETWEEN 0.4-3.0[.015-.118])



SECTION X-X



SECTION Y-Y



THIS DRAWING IS A CONTROLLED DOCUMENT.		DWN RAGHAVENDRA 03APR2007	TIN PLATE		8	1969106-2
DIMENSIONS: INCHES		CHK G D PORTA 03APR2007	NO PLATING		7	1969106-1
TOLERANCES UNLESS OTHERWISE SPECIFIED: 0 PLC ± - 1 PLC ± - 2 PLC ± - 3 PLC ± .010 4 PLC ± - ANGLES ± -		APVD G D PORTA 03APR2007	TERMINAL: FINISH		PART NO.	
MATERIAL SEE NOTES		FINISH SEE NOTES	WEIGHT 0.000000		SCALE 6:1	
CUSTOMER DRAWING		SIZE A2		CAGE CODE 00779	DRAWING NO C=1969106	RESTRICTED TO -
		SHEET 1 of 1		REV B1		

TE TE Connectivity

ASSEMBLY, RECPT, FLAG, ULTRA-POD, .187 SERIES
WIRE SIZE: 22-18 AWG