

THIS DRAWING IS UNPUBLISHED.

RELEASED FOR PUBLICATION

ALL RIGHTS RESERVED.

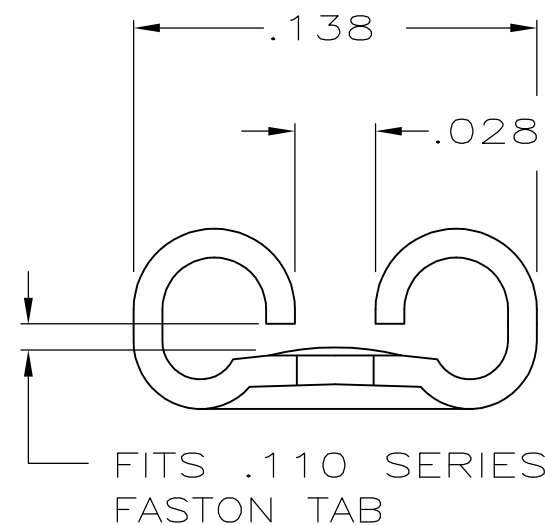
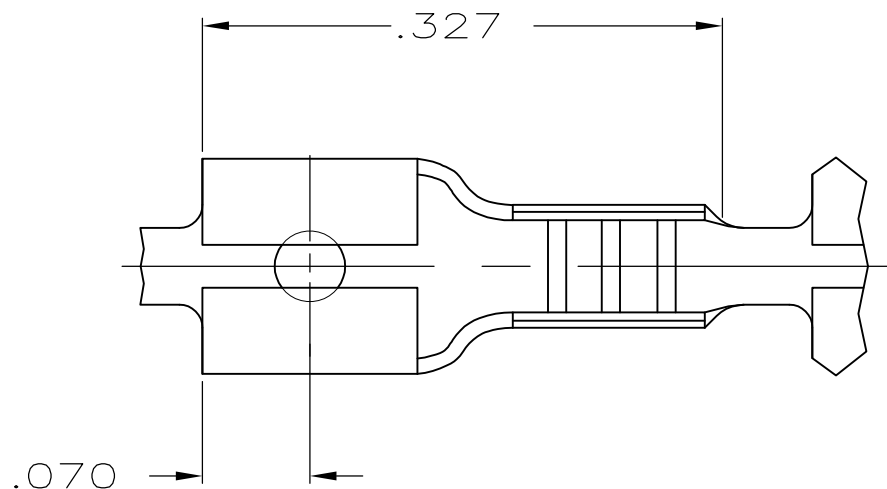
© COPYRIGHT - By -

LOC AF DIST 50

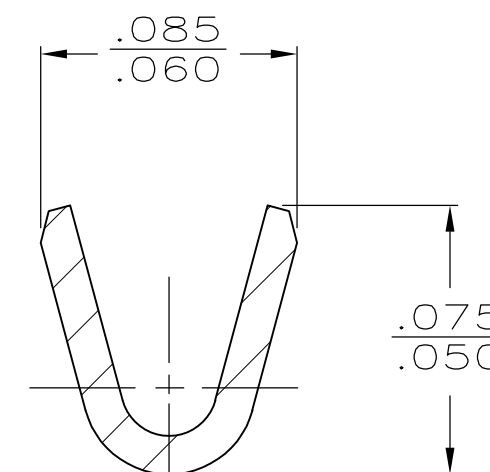
REVISIONS

P	LTR	DESCRIPTION	DATE	DWN	APVD
B		REVISED PER ECR-12-013518	23NOV2012	KH	PD

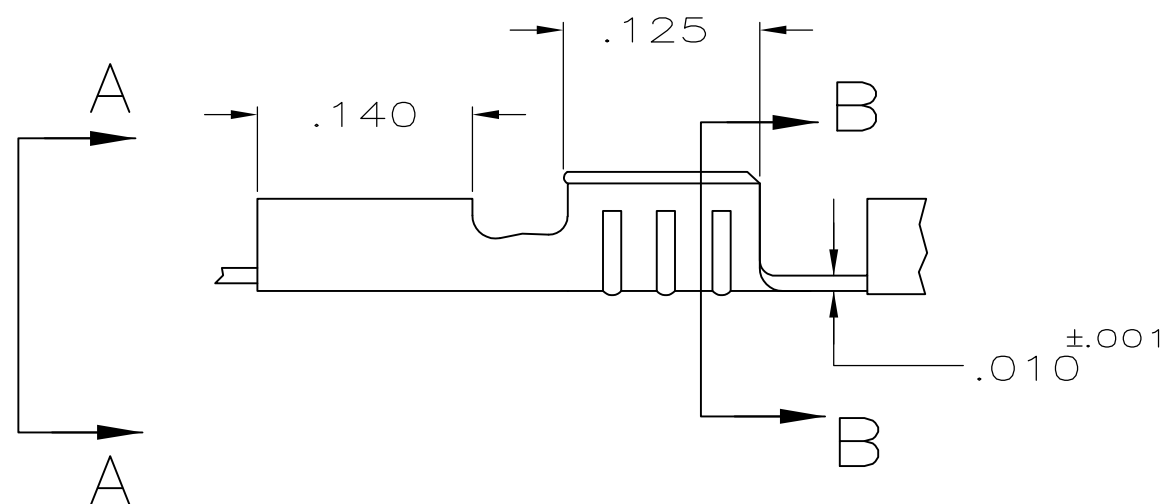
- 1 CONTINUOUS STRIP ON REELS.
- 2 WIRE SIZES #26-#22 AWG.
- 3 MATES WITH .016±.001 THK TAB.
- 4 THIS PART MUST BE REELED ON TO PLASTIC REELS.



VIEW A-A


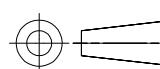


SECTION B-B



1217198-1

PART NO.

THIS DRAWING IS A CONTROLLED DOCUMENT.		DWN JR RUTH 23AUG99	 TE Connectivity NAME RECEPTACLE, FASTON™, .110 SERIES PRODUCT SPEC - APPLICATION SPEC - WEIGHT -			RESTRICTED TO		
DIMENSIONS: INCHES	TOLERANCES UNLESS OTHERWISE SPECIFIED:	CHK MS FEHER 23AUG99				SIZE	CAGE CODE	DRAWING NO
	0 PLC ± -	APVD S HEADER 23AUG99				A3	00779	C-1217198
	1 PLC ± -	PRODUCT SPEC -						
MATERIAL BRASS	FINISH -	APPLICATION SPEC -	8:1	1 OF 1	B			
CUSTOMER DRAWING								