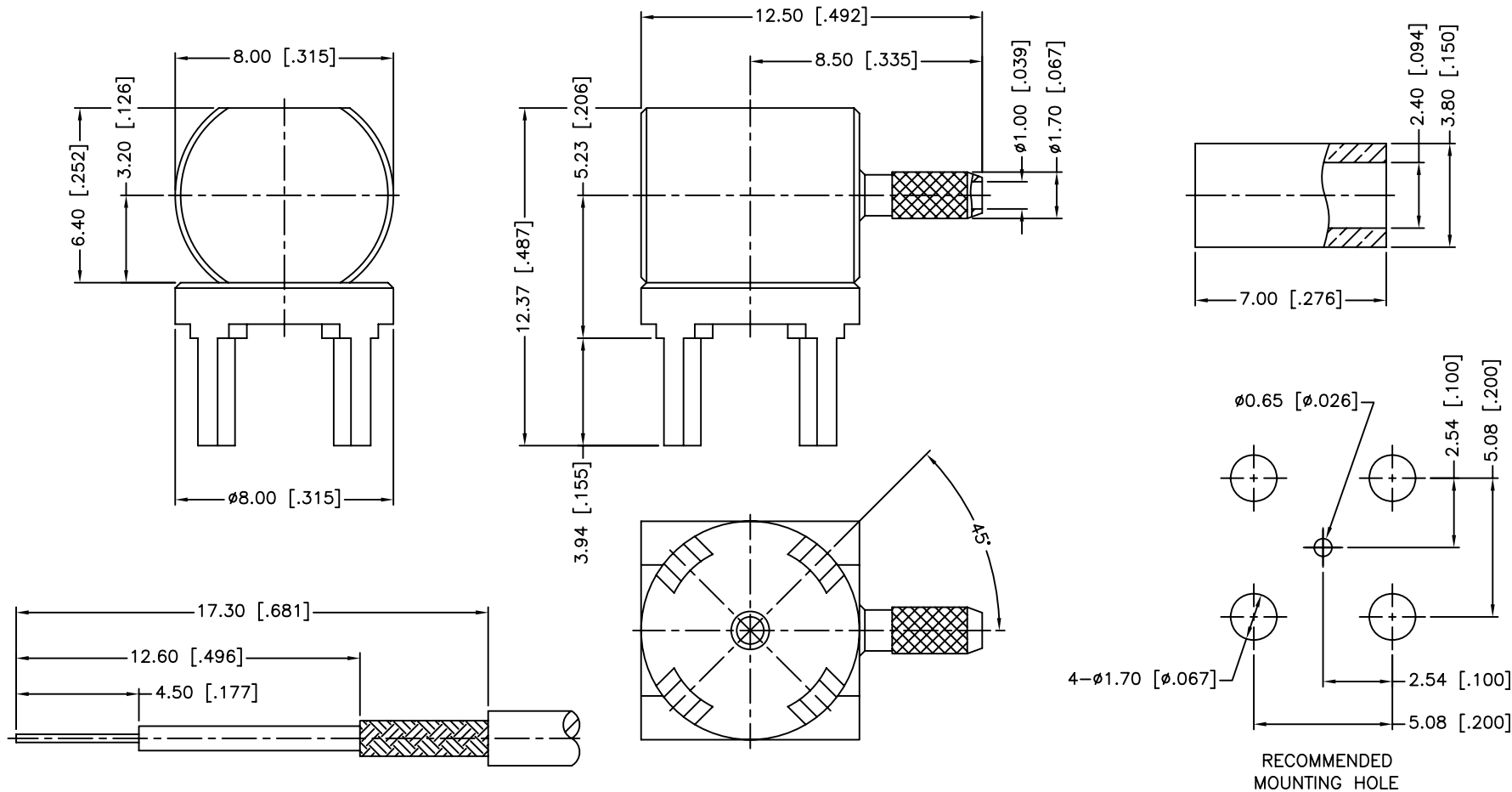


| REV. | DATE     | ECR NO. | DESCRIPTION           |
|------|----------|---------|-----------------------|
| NC   | 01/04/00 | XXXXXX  | INITIAL RELEASE       |
| A    | 04/06/06 | XXXXXX  | UPDATE DRAWING FORMAT |
| B    | 07/02/13 | XXXXXX  | CHANGE FERRULE LENGTH |



RECOMMENDED  
CABLE STRIPPING DIM'S

RECOMMENDED  
MOUNTING HOLE

1. CRIMPED FERRULE  
HEX CRIMP SIZE .128"

| QTY | DESCRIPTION | MATERIAL | FINISH |
|-----|-------------|----------|--------|
| 1   | FERRULE     | COPPER   | GOLD   |
| 1   | BODY        | BRASS    | GOLD   |
| 1   | BARREL      | BRASS    | GOLD   |

UNLESS OTHERWISE SPECIFIED DIMENSIONS ARE IN MILLIMETERS. DIMENSIONS IN [ ] ARE IN INCHES AND FOR CUSTOMER REFERENCE ONLY.  
UNLESS OTHERWISE SPECIFIED  
TOLERANCES FOR MILLIMETERS ARE:  
 <0.5 ± 0.05mm  
 0.5 - 6mm ± 0.10mm  
 6 - 30mm ± 0.20mm  
 30 - 120mm ± 0.30mm  
 ANGLES ± 1°  
 UNLESS OTHERWISE SPECIFIED  
 TOLERANCES FOR INCHES ARE:  
 <.020 ± 0.002"  
 .020 - .236 ± 0.004"  
 .236 - 1.180 ± 0.007"  
 1.180 - 4.724 ± 0.012"  
 ANGLES ± 1°  
 DO NOT SCALE DRAWING

| APPROVALS     | DATE                 |
|---------------|----------------------|
| DRAWN M.ZHANG | 07/02/13             |
| CHECKED       |                      |
| ISSUED        |                      |
| SHEET 1 OF 1  |                      |
| CAD FILE      | C:/CONNEX/142270.DWG |

|   |            |       |    |
|---|------------|-------|----|
| <b>Amphenol Connex</b>  |            |       |    |
| PART DESCRIPTION<br><b>R/A PCB CABLE TERMINAL<br/>(FOR RG-178B/U, 196A/U)</b> |            |       |    |
| PART NO.<br><b>142270</b>   |            |       |    |
| DWG. NO.  | 142270.DWG | REV.  | B  |
| SIZE  | A          | SCALE | NA |