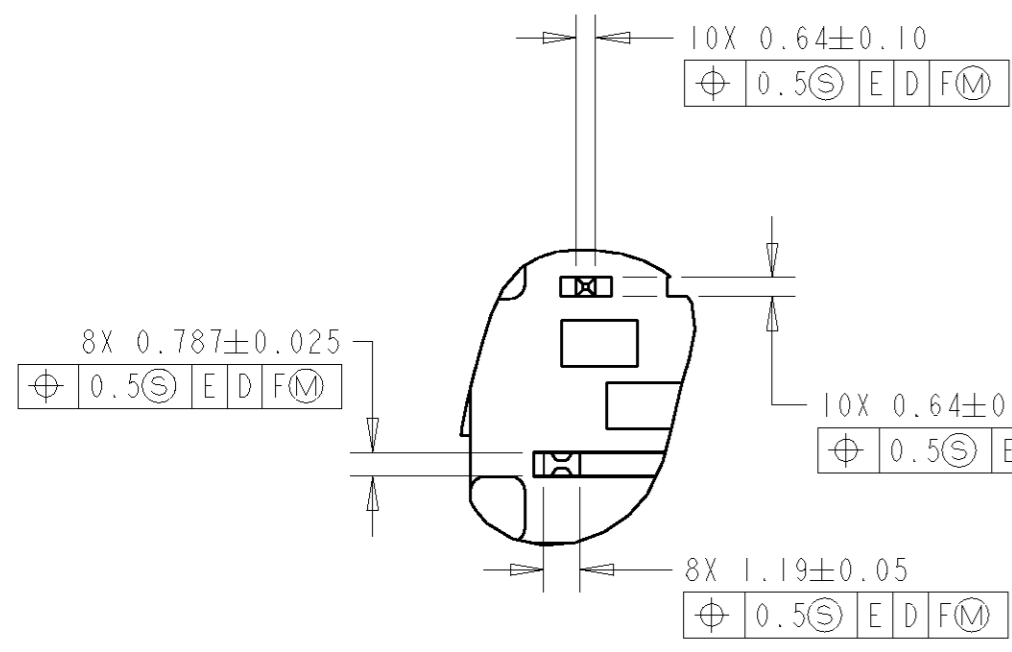
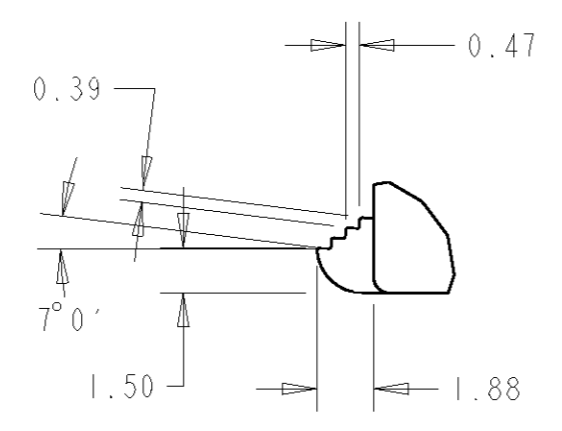


THIS DRAWING IS UNPUBLISHED. RELEASED FOR PUBLICATION 20
 © COPYRIGHT 20 BY TYCO ELECTRONICS CORPORATION. ALL RIGHTS RESERVED.

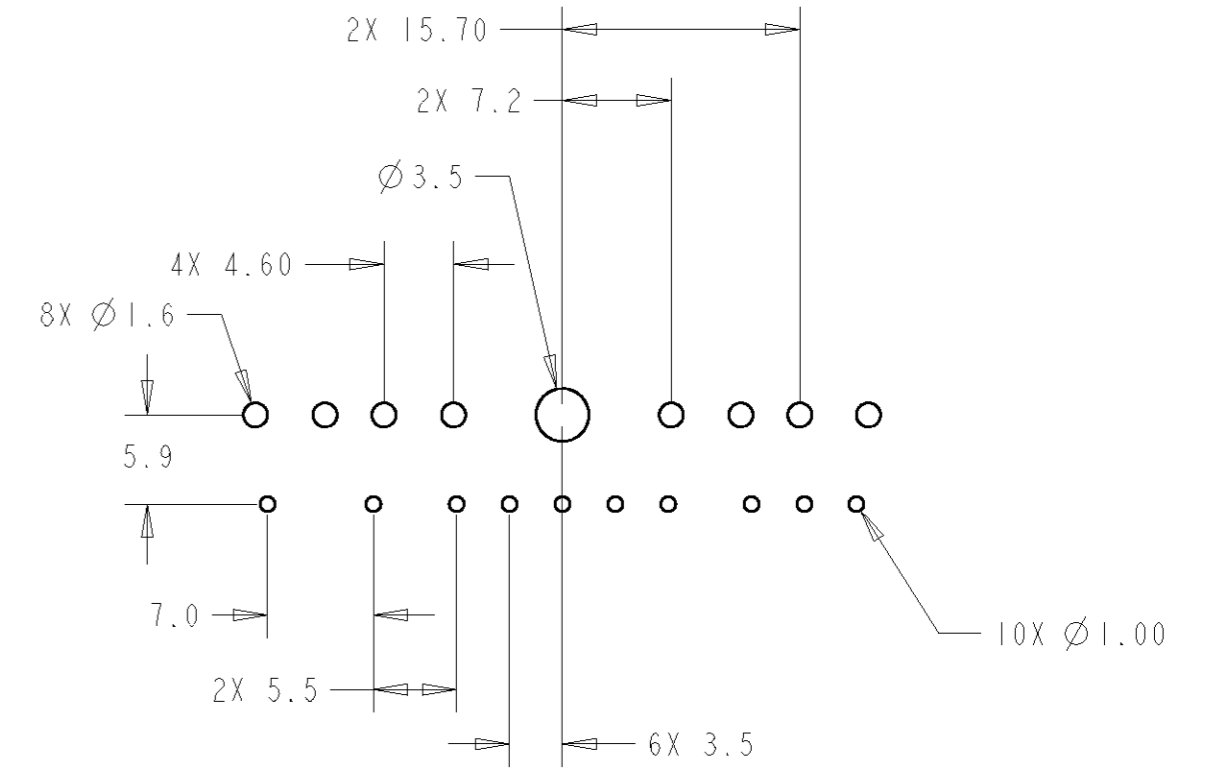
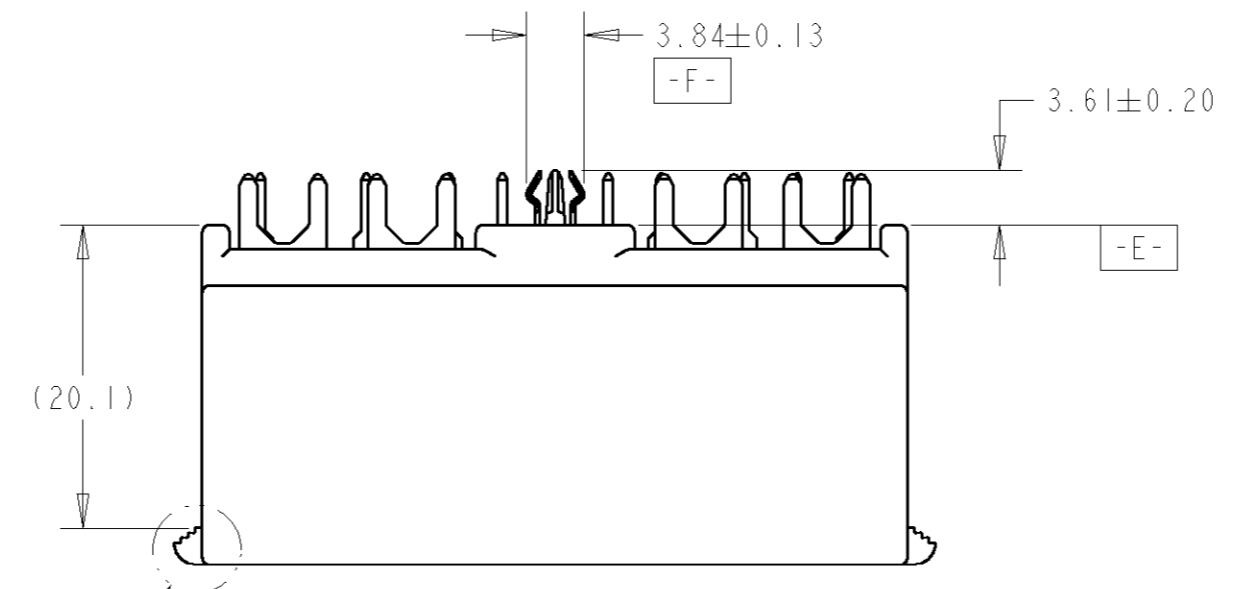
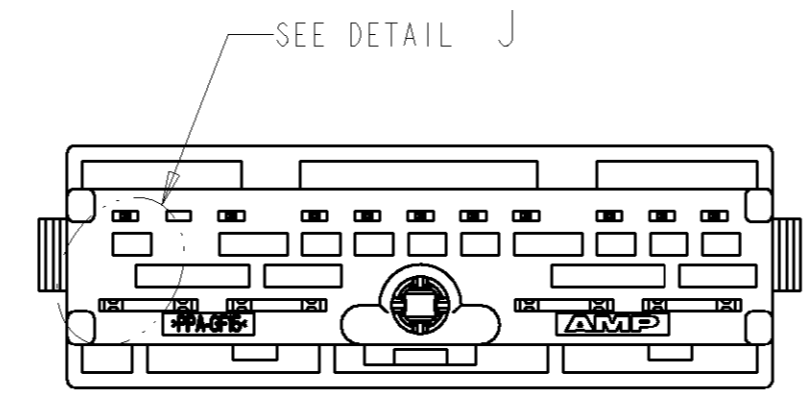
LOC	DIST	REVISIONS					
		P	LTR	DESCRIPTION	DATE	DWN	APVD
FX	55	1		RLSD PER EC 0K80-0089-02	12APR2002	RGV	SSA
		0		REV PER EC 0K80-0168-02	14JUN2002	RGV	SSA



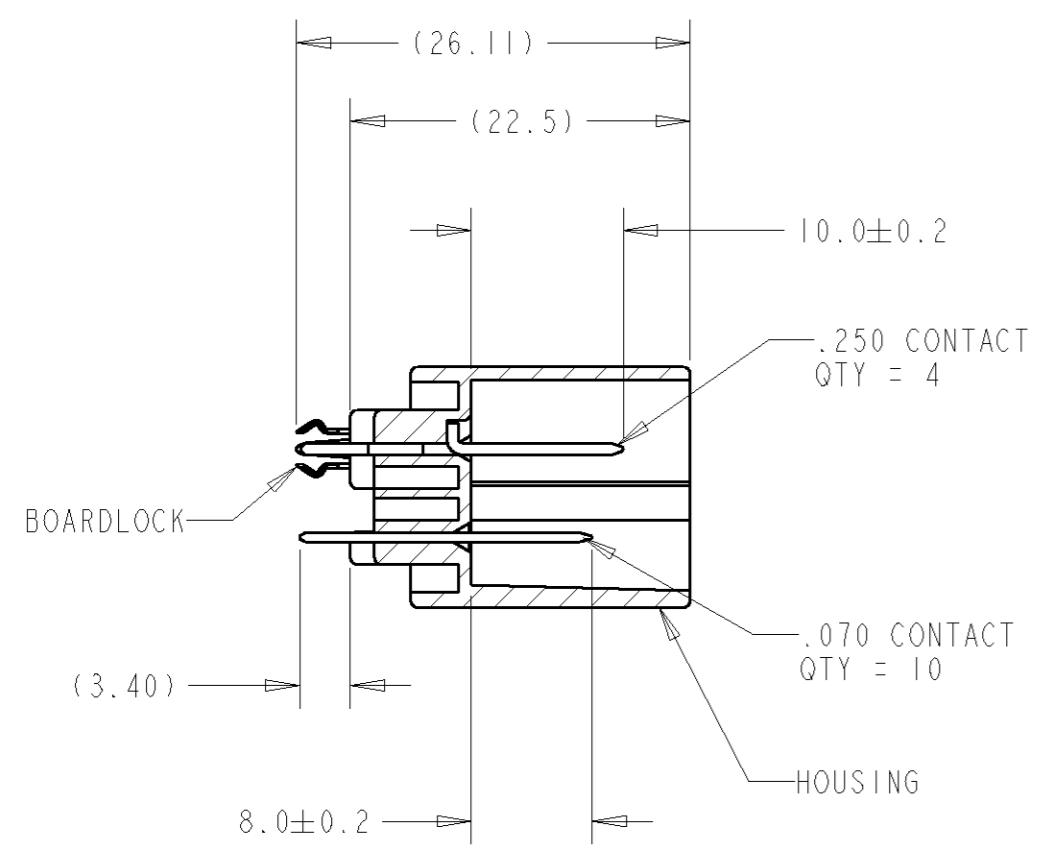
DETAIL J
SCALE 4:1



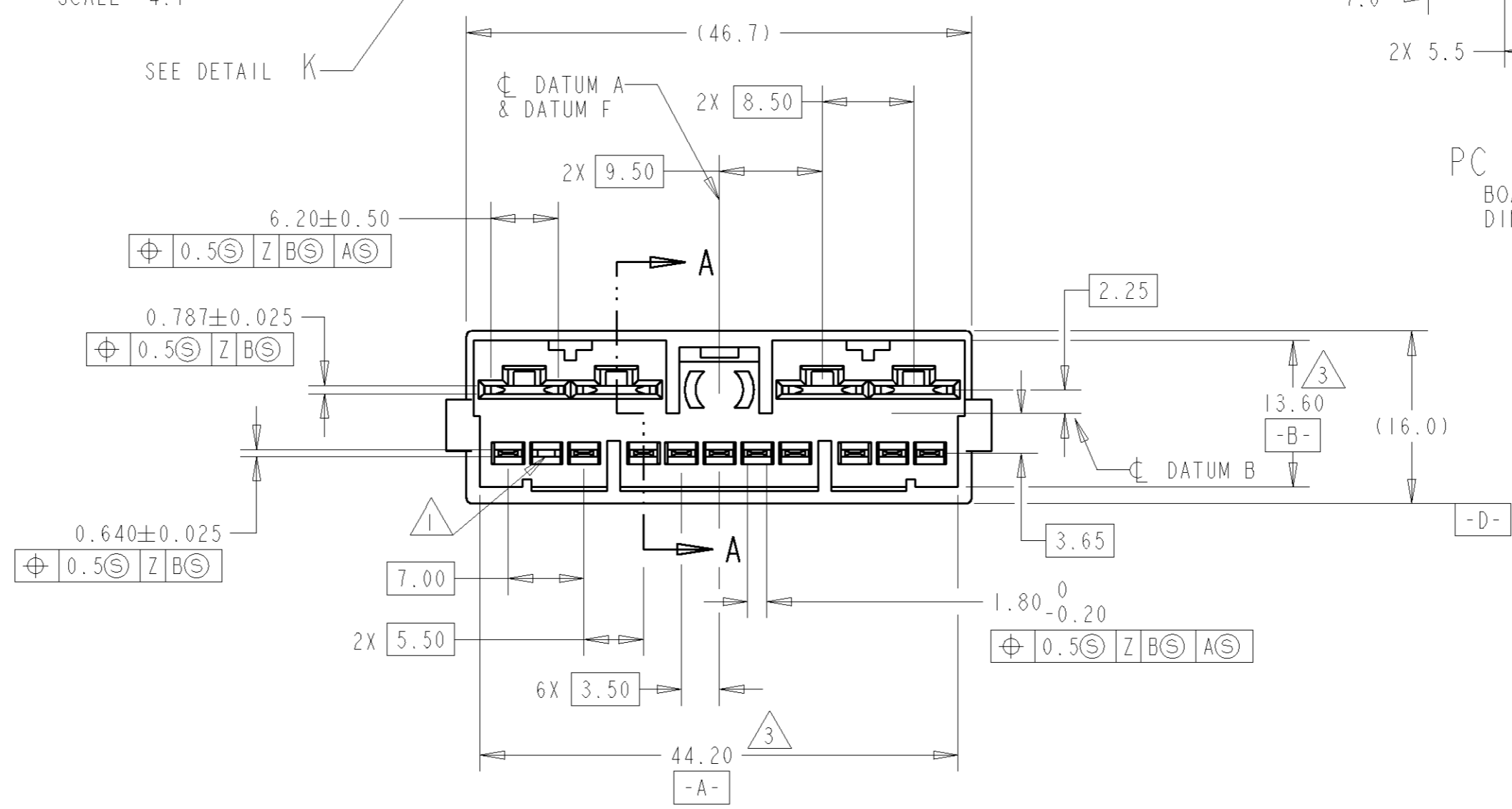
DETAIL K
(2 PLACES)
SCALE 4:1



PC BOARD LAYOUT
BOARD THK: 1.6±0.15
DIM TOLERANCE: ±0.1



SECTION A-A



- 1 POSITION NOT LOADED.
- 2. TAB RETENTION FORCE: 3kg MIN.
- 3 TO BE MEASURED 2MM FROM DATUM Z.

TIN OVER NICKEL	BRASS	NATURAL	HIGH TEMP NYLON	TIN OVER COPPER	BRASS	1438318-1
BOARDLOCK FINISH	BOARDLOCK MATERIAL	HOUSING COLOR	HOUSING MATL	CONTACT FINISH	CONTACT MATERIAL	PART NUMBER

THIS DRAWING IS A CONTROLLED DOCUMENT FOR TYCO ELECTRONICS CORPORATION. IT IS SUBJECT TO CHANGE AND THE CONTROLLING ENGINEERING ORGANIZATION SHOULD BE CONTACTED FOR THE LATEST REVISION.		DWN R. VESTAL 28MAR2002	Tyco Electronics Harrisburg, PA 17105-3608
DIMENSIONS: mm		CHK S. ASHLEY 28MAR2002	
TOLERANCES UNLESS OTHERWISE SPECIFIED:		APVD S. ASHLEY 28MAR2002	
0 PLC ±0.3 1 PLC ±0.15 2 PLC ±0.1 3 PLC ± 4 PLC ± ANGLES ± FINISH ±		NAME 070/250 14/15 POSITION CONNECTOR ASSEMBLY PRODUCT SPEC - APPLICATION SPEC - WEIGHT - CUSTOMER DRAWING	
MATERIAL SEE TABLE	SEE TABLE	SIZE A2	CAGE CODE 00779
		DRAWING NO 1438318	RESTRICTED TO -
		SCALE 2:1	SHEET OF 1 REV 0