

Electronic housing - EG 45-A/ABS GY - 2764250

Please be informed that the data shown in this PDF Document is generated from our Online Catalog. Please find the complete data in the user's documentation. Our General Terms of Use for Downloads are valid (<http://phoenixcontact.com/download>)



Housing cover, for connection on both sides

Illustration shows fully mounted versions of the electronic housing, in green



Key commercial data

Packing unit	1 pc
Minimum order quantity	10 pc
Weight per Piece (excluding packing)	11.4 GRM
Custom tariff number	85369010
Country of origin	Germany

Classifications

eCl@ss

eCl@ss 4.0	27180401
eCl@ss 4.1	27180401
eCl@ss 5.0	27180506
eCl@ss 5.1	27180506
eCl@ss 6.0	27180802
eCl@ss 7.0	27182702
eCl@ss 8.0	27182702

ETIM

ETIM 2.0	EC001031
ETIM 3.0	EC001031
ETIM 4.0	EC001031
ETIM 5.0	EC001031

Electronic housing - EG 45-A/ABS GY - 2764250

Classifications

UNSPSC

UNSPSC 6.01	31261501
UNSPSC 7.0901	31261501
UNSPSC 11	31261501
UNSPSC 12.01	31261501
UNSPSC 13.2	31261501

Approvals

Approvals


Approvals

UL Recognized

Ex Approvals

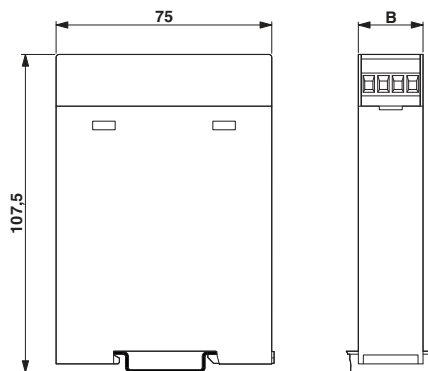
Approvals submitted

Approval details

UL Recognized 

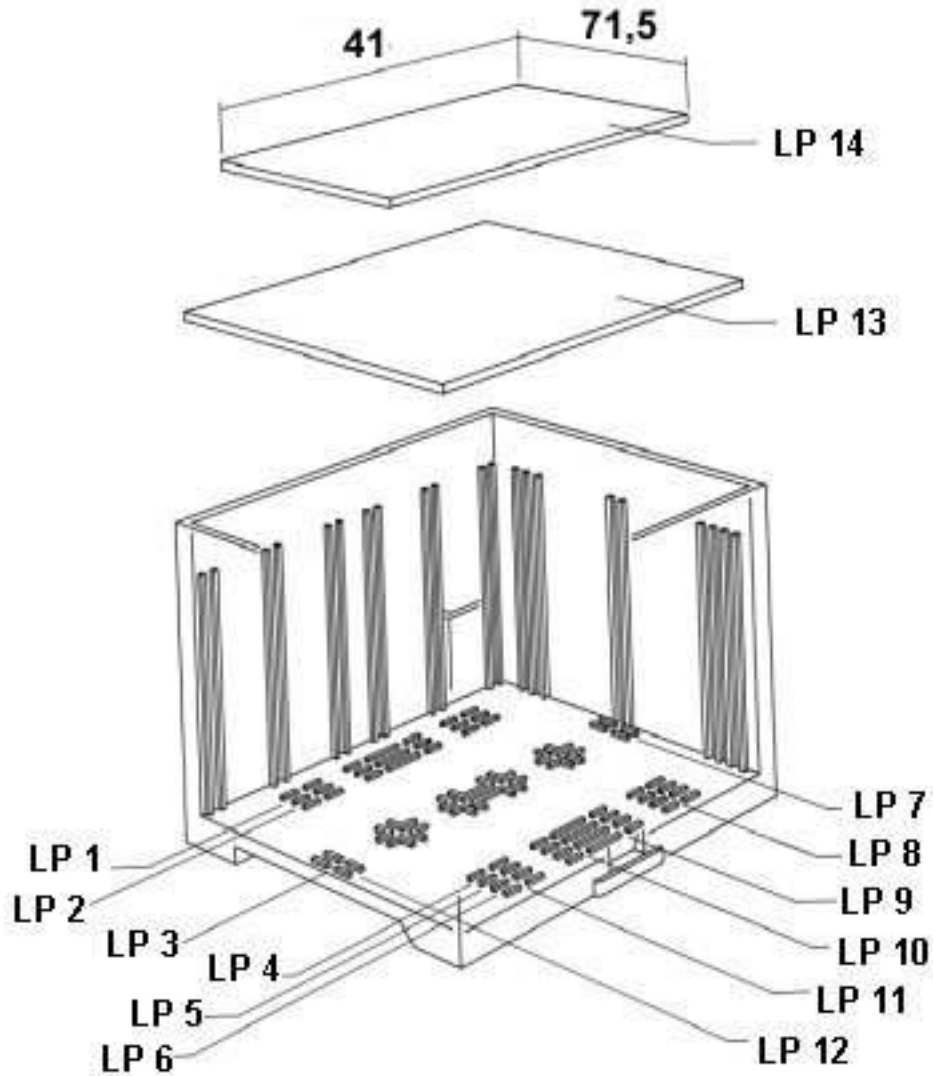
Drawings

Dimensioned drawing



Electronic housing - EG 45-A/ABS GY - 2764250

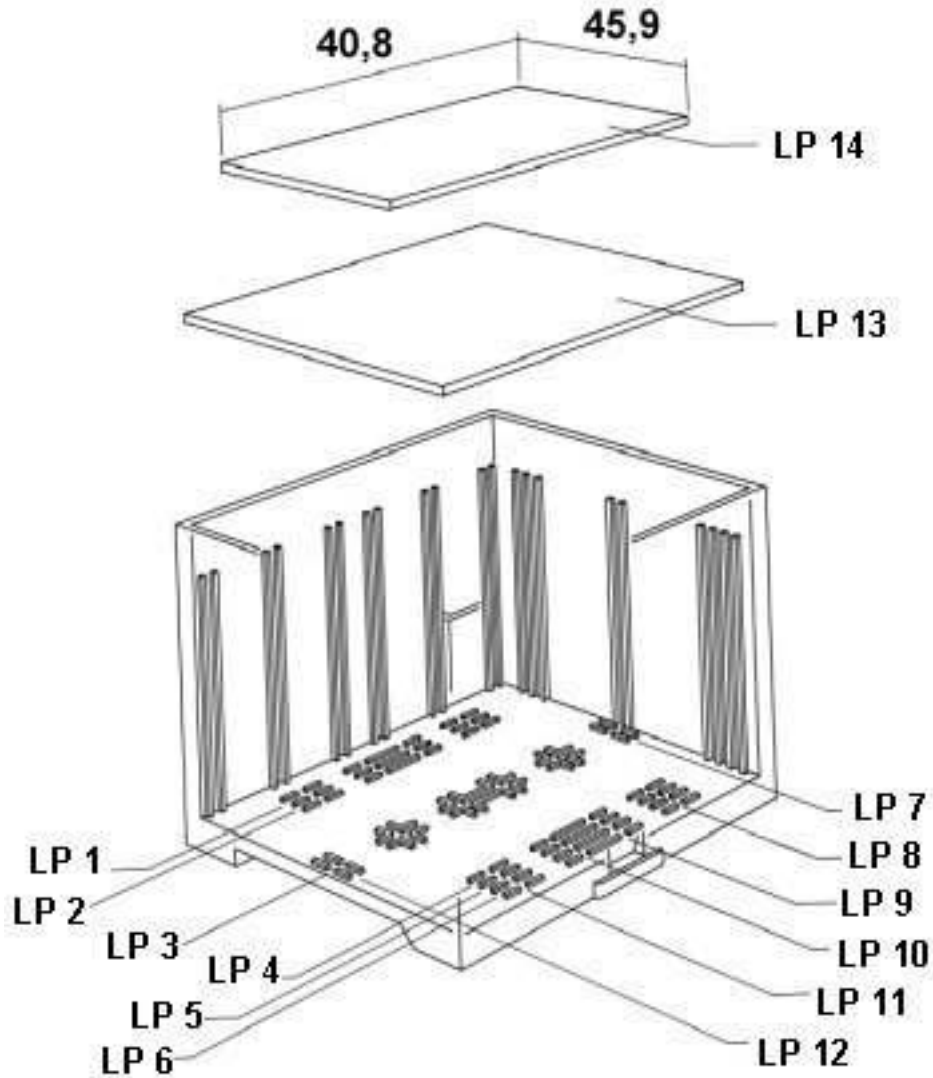
Explosion drawing



valid for PCB 13

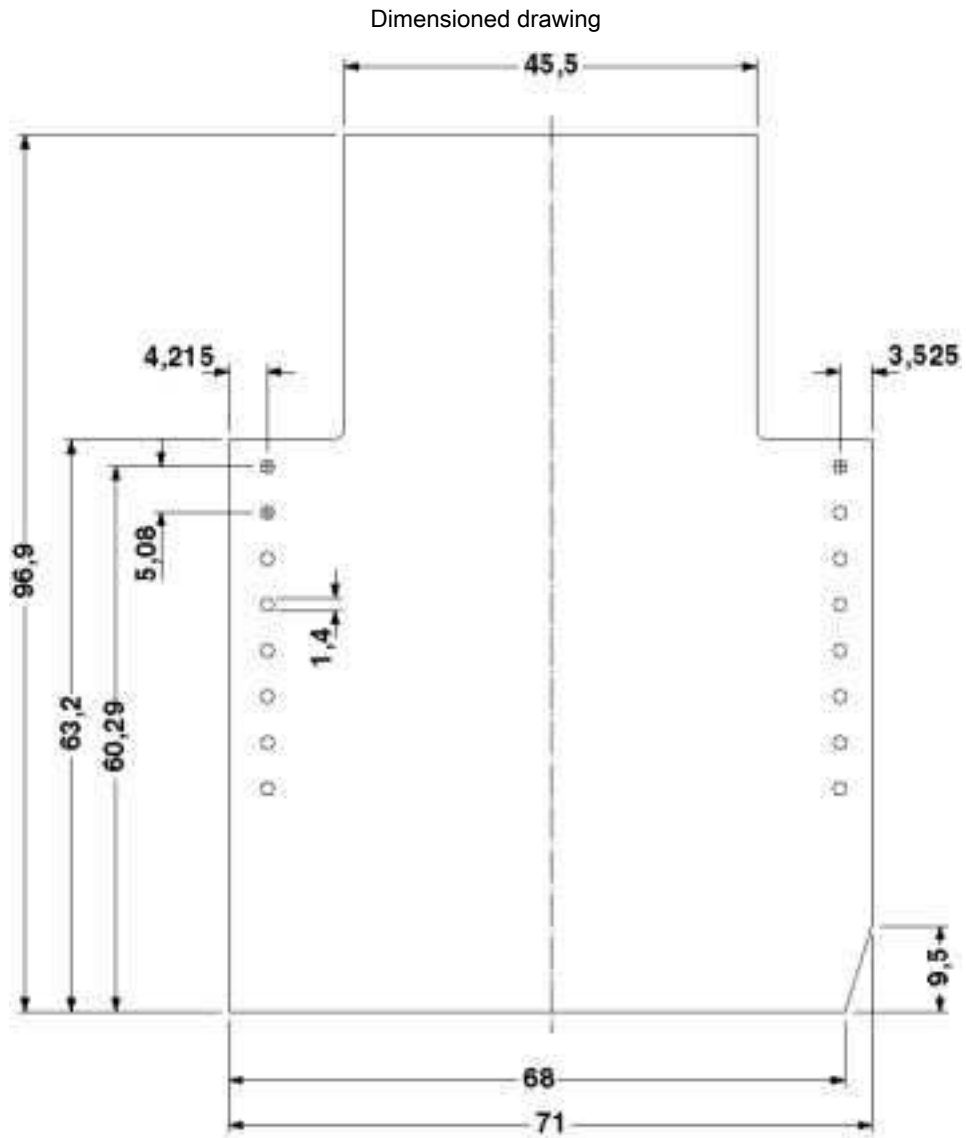
Electronic housing - EG 45-A/ABS GY - 2764250

Explosion drawing



valid for PCB 14

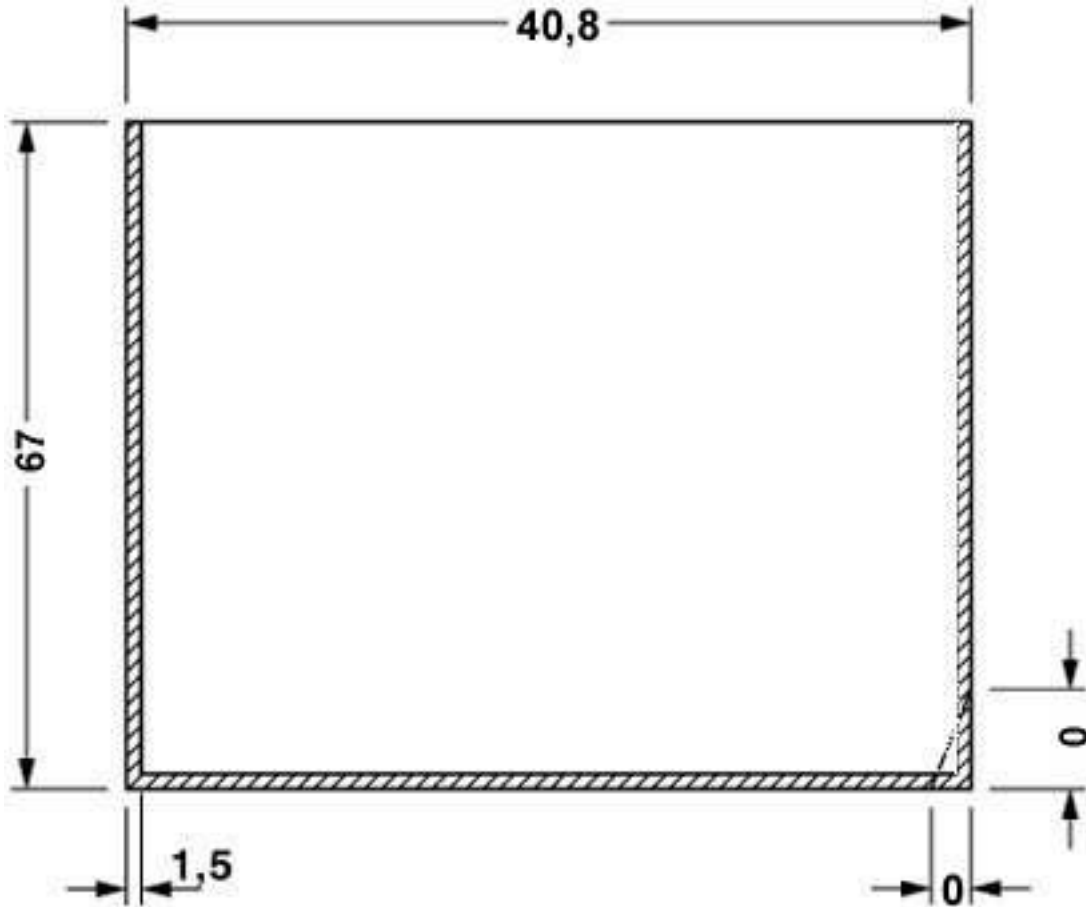
Electronic housing - EG 45-A/ABS GY - 2764250



Component mounting side, if the double-level upper part is used

Electronic housing - EG 45-A/ABS GY - 2764250

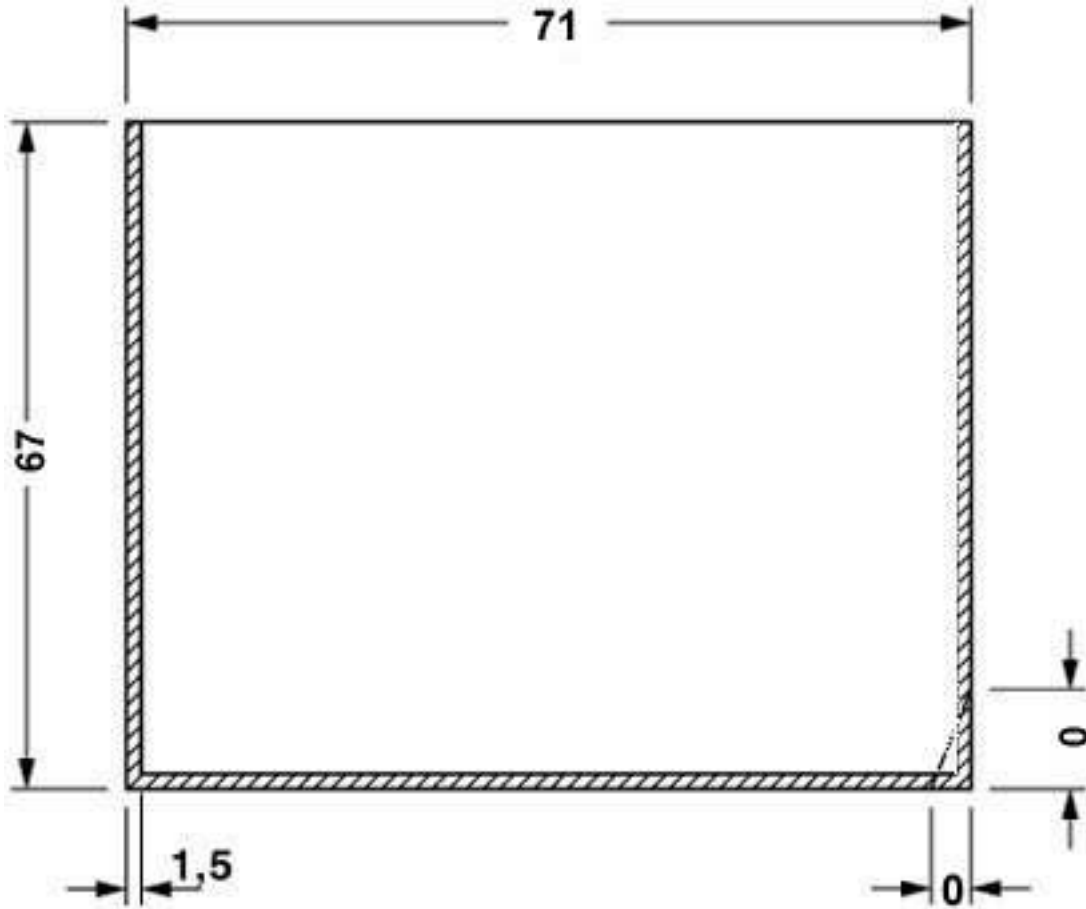
Dimensioned drawing



valid for PCB 1; 3; 5 and 6, see explosion drawing

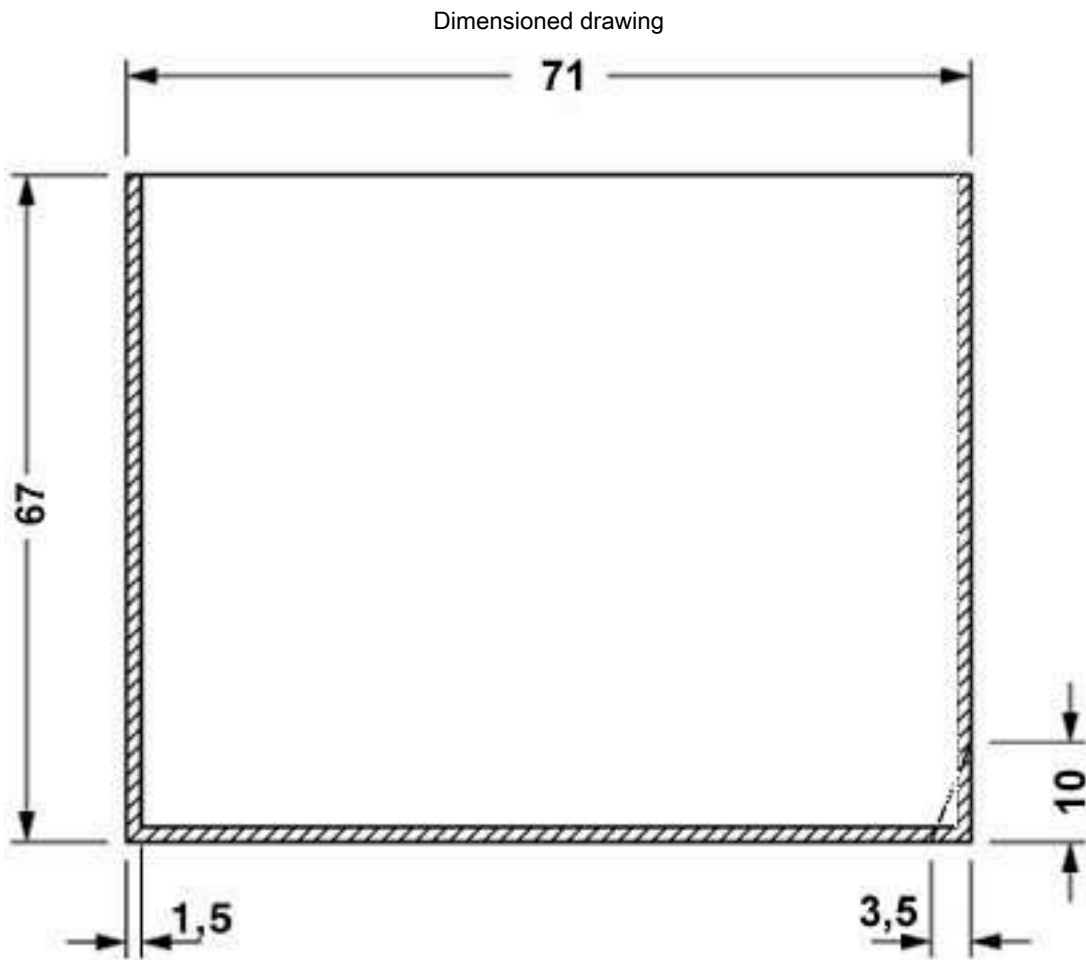
Electronic housing - EG 45-A/ABS GY - 2764250

Dimensioned drawing



valid for PCB 7 and 12, see explosion drawing

Electronic housing - EG 45-A/ABS GY - 2764250



valid for PCB 10, see explosion drawing