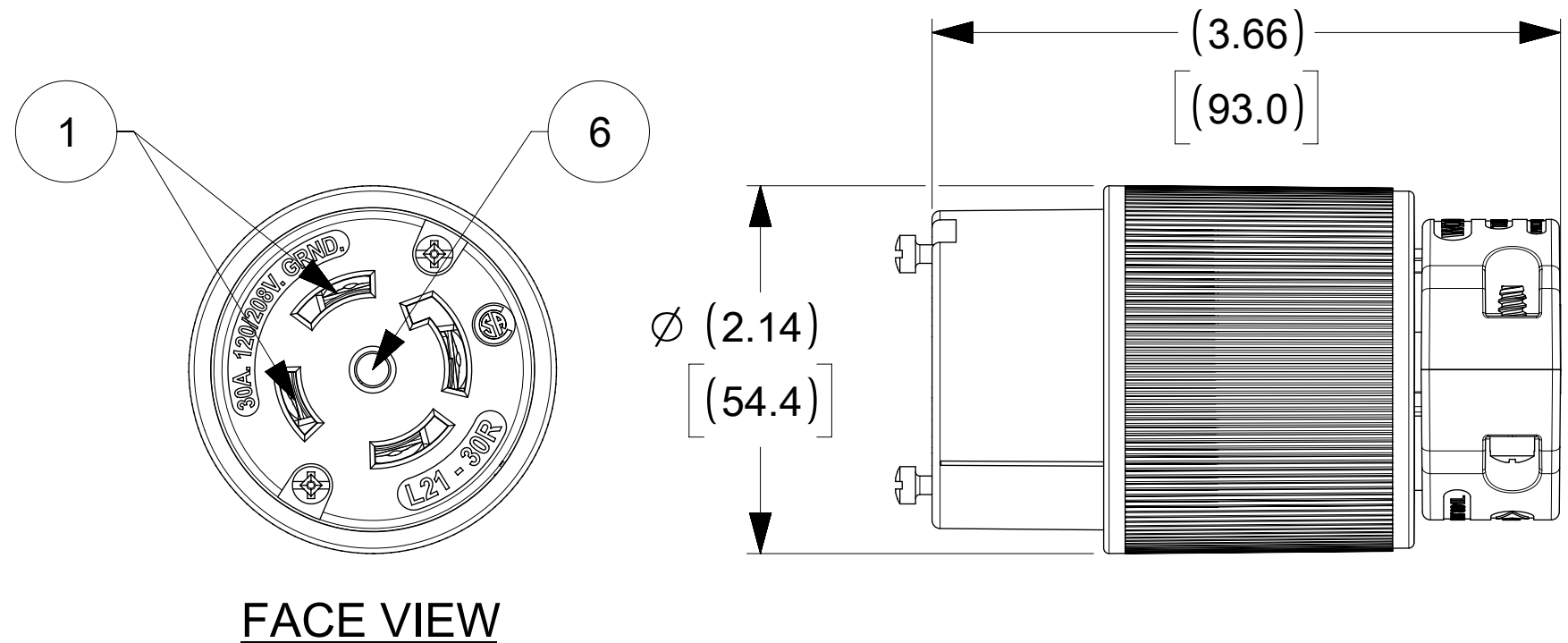
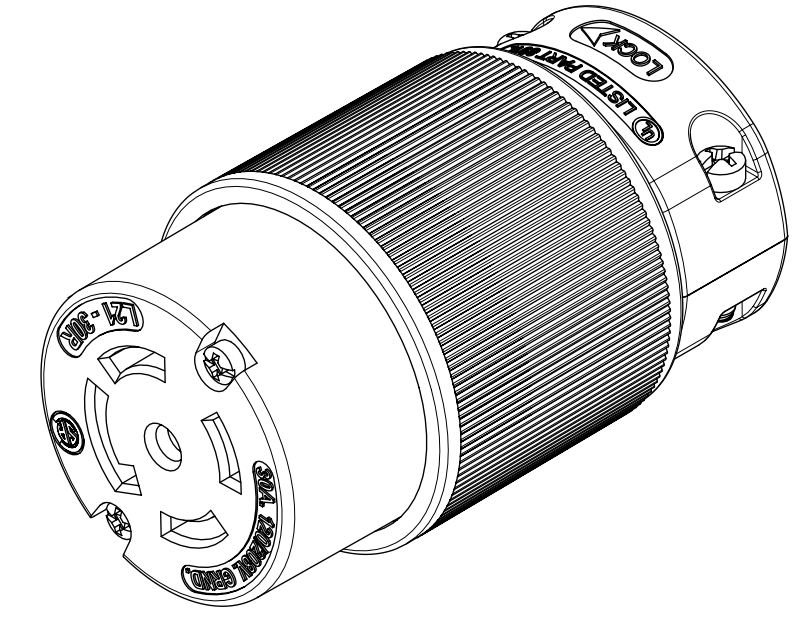
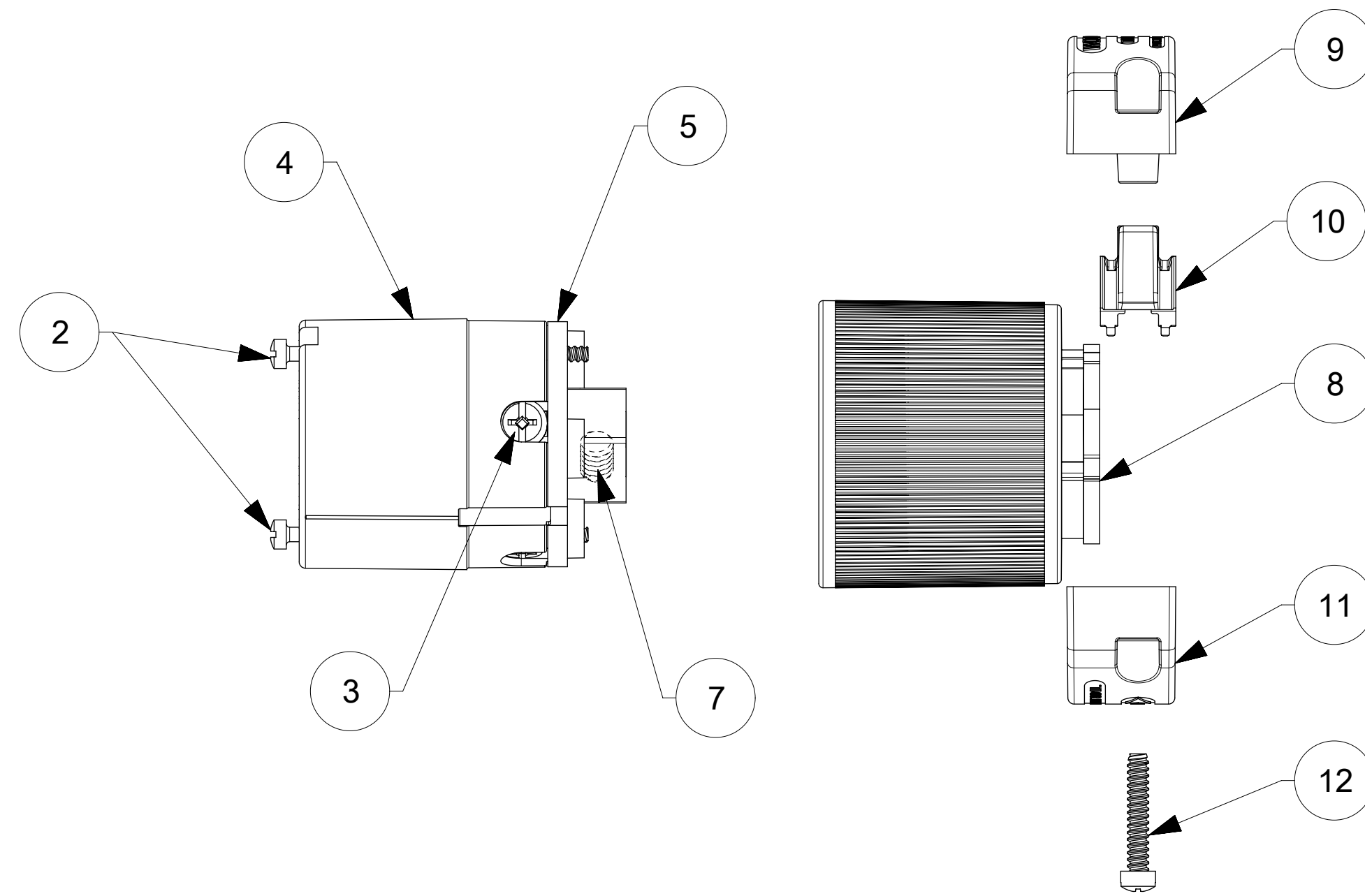
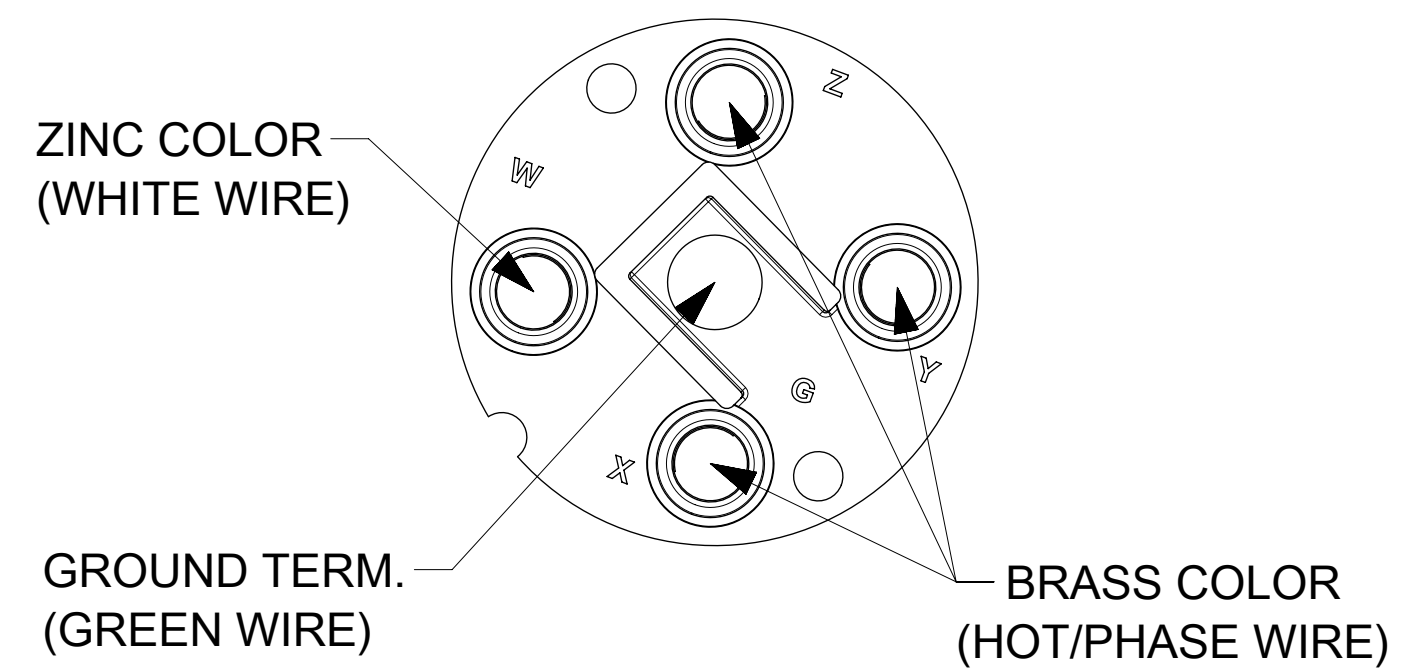


ORDER NO.	WOODHEAD NO.	COLOR
130145-0084	29T81	BLACK



WIRING TERMINATION



ITEM NO.	DESCRIPTIONS	MATERIAL	QTY.
1	BLADES	BRASS, NICKEL PLATED	4
2	RETAINING SCREWS	STAINLESS STEEL	2
3	TERMINAL SCREWS/CLAMP ASSEMBLY	BRASS, ZINC PLATED	4
4	INSERT	NYLON	1
5	TERMINAL COVER	POLYCARBONATE	1
6	GROUND PIN	BRASS, NICKEL PLATED	1
7	SET SCREW	STAINLESS STEEL	1
8	HOUSING	NYLON	1
9	CLAMP CORD MALE	NYLON	1
10	CLAMP CORD INSERT	NYLON	1
11	CLAMP CORD FEMALE	NYLON	1
12	RETAINING SCREWS	STAINLESS STEEL	2

FUNCTIONAL SYMBOLS	THIS DRAWING CONTAINS INFORMATION THAT IS PROPRIETARY TO MOLEX ELECTRONIC TECHNOLOGIES, LLC AND SHOULD NOT BE USED WITHOUT WRITTEN PERMISSION			
	DIMENSION UNITS	SCALE	CURRENT REV DESC: NEW RELEASE	
$F_A = 0$	INCH	NTS	<p>EC NO: 628514</p> <p>DRWN: VBASUTHKARP 2018/12/12</p> <p>CHK'D: DNGUYEN62 2021/09/20</p> <p>APPR: HKNEELAND 2021/10/06</p> <p>INITIAL REVISION:</p> <p>DRWN: VBASUTHKARP 2018/12/12</p> <p>APPR: HKNEELAND 2021/10/06</p>	
$F_C = 0$	GENERAL TOLERANCES (UNLESS SPECIFIED)			
$F_P = 0$	MM	INCH		
DIVISIONAL SYMBOLS	4 PLACES	±		
	3 PLACES	±	±	
	2 PLACES	±	±	
	1 PLACE	±	±	
	0 PLACES	±	±	
	ANGULAR TOL	±	°	
DRAFT WHERE APPLICABLE MUST REMAIN WITHIN DIMENSIONS		THIRD ANGLE PROJECTION	DRAWING	SERIES
			C-SIZE	130145
DOCUMENT STATUS		DOC TYPE	DOC PART	REVISION
P1	RELEASE DATE	1301450084	PSD	000 A
2021/10/06	01:17:18	1301450084	GENERAL MARKET	1 OF 1
MATERIAL NUMBER		CUSTOMER		SHEET NUMBER
SEE TABLE		GENERAL MARKET		1 OF 1