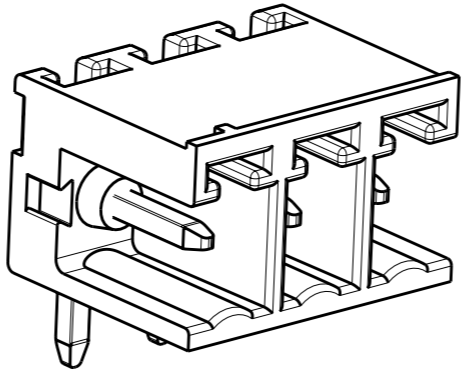
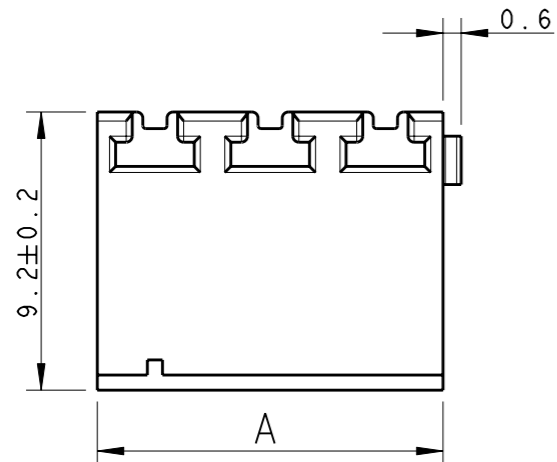
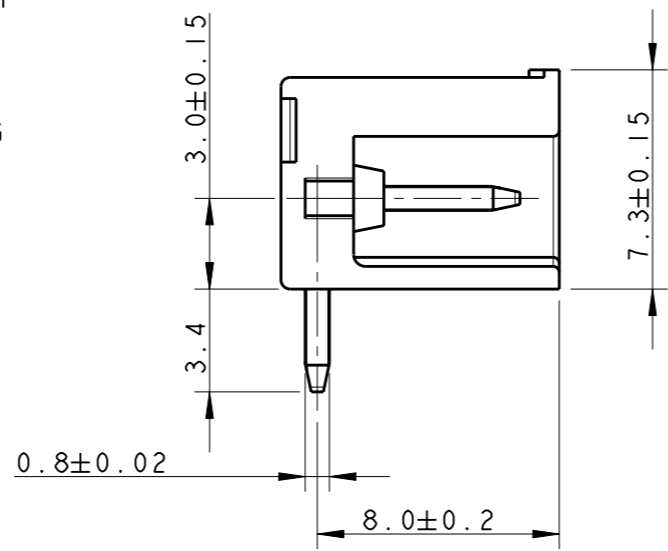
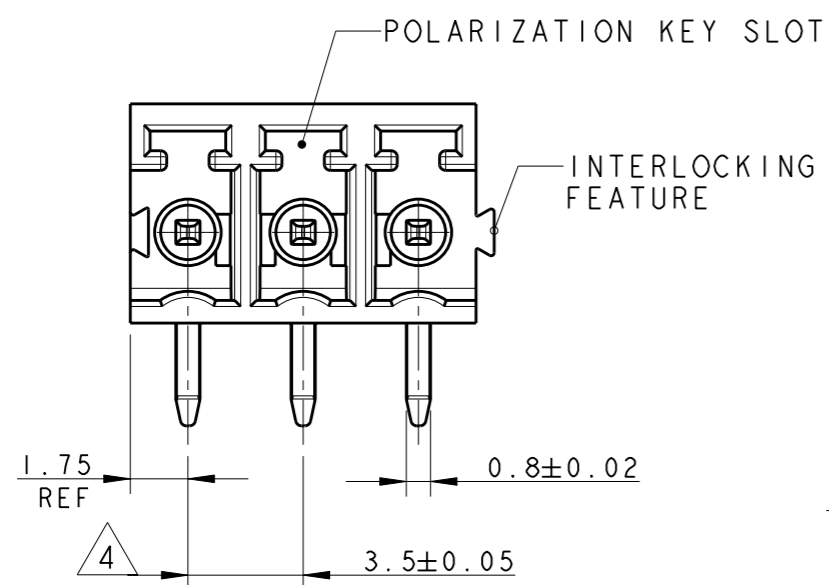


THIS DRAWING IS UNPUBLISHED. RELEASED FOR PUBLICATION 20  
 © COPYRIGHT 20 BY TYCO ELECTRONICS CORPORATION. ALL RIGHTS RESERVED.

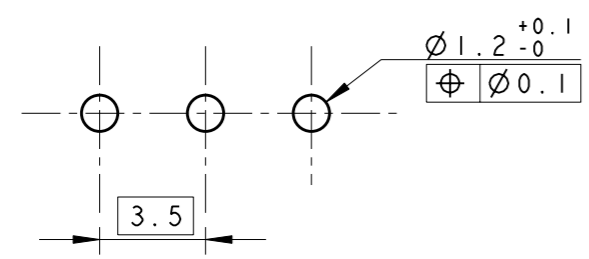
LOC	DIST	REVISIONS			
P	LTR	DESCRIPTION	DATE	DWN	APVD
	B	REVISED PER 0G3B-0119-01	07FEB2002	EZ	DB
	C	REVISED ECO-06-016791	14JUL2006	SW	CR
	D	REVISED ECO-07-000637	09JAN2007	SW	CR



284540-3 AS SHOWN

OBSOLETE	87.5	25	2-284540-5
OBSOLETE	84.0	24	2-284540-4
OBSOLETE	80.5	23	2-284540-3
OBSOLETE	77.0	22	2-284540-2
OBSOLETE	73.5	21	2-284540-1
OBSOLETE	70.0	20	2-284540-0
OBSOLETE	66.5	19	1-284540-9
OBSOLETE	63.0	18	1-284540-8
OBSOLETE	59.5	17	1-284540-7
OBSOLETE	56.0	16	1-284540-6
OBSOLETE	52.5	15	1-284540-5
OBSOLETE	49.0	14	1-284540-4
OBSOLETE	45.5	13	1-284540-3
	42.0	12	1-284540-2
OBSOLETE	38.5	11	1-284540-1
OBSOLETE	35.0	10	1-284540-0
OBSOLETE	31.5	9	284540-9
OBSOLETE	28.0	8	284540-8
OBSOLETE	24.5	7	284540-7
	21.0	6	284540-6
	17.5	5	284540-5
	14.0	4	284540-4
	10.5	3	284540-3
	7.0	2	284540-2
	A	NO OF POSN	PART NUMBER

- 1 MATERIALS AND FINISH  
HOUSING: PA 6.6, UL 94-V0, COLOR GREEN  
TERMINAL: PHOSPHOR BRONZE, TIN PLATED
- 2 END-TO-END STACKABLE W/INTERLOCK WITHOUT LOSS OF CENTERLINE SPACING
- 3 SUITABLE FOR 1.6-2.4 mm. PC BOARD THICKNESS
- 4 NOT CUMULATIVE TOLERANCE



RECOMMENDED PC BOARD LAYOUT

<small>THIS DRAWING IS A CONTROLLED DOCUMENT FOR TYCO ELECTRONICS CORPORATION IT IS SUBJECT TO CHANGE AND THE CONTROLLING ENGINEERING ORGANIZATION SHOULD BE CONTACTED FOR THE LATEST REVISION.</small>		DWN 07FEB2002 <b>E. ZANOLINI</b>		<b>BUCHANAN</b> Tyco Electronics Harrisburg, PA 17105-3608	
DIMENSIONS: mm		TOLERANCES UNLESS OTHERWISE SPECIFIED: 0 PLC ±.3 1 PLC ±.3 2 PLC ±.25 3 PLC ±. 4 PLC ±. ANGLES ±2			
MATERIAL 1		FINISH 1		PRODUCT SPEC 108-20166 APPLICATION SPEC 114-20079 WEIGHT -	
CUSTOMER DRAWING				SIZE A3 CAGE CODE 00779 DRAWING NO C-284540	RESTRICTED TO -
SCALE 4:1				SHEET 1 OF 1	REV D