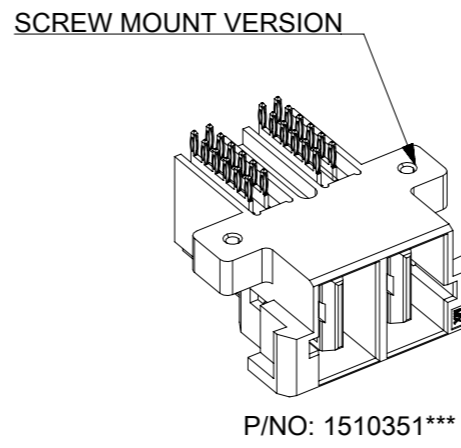
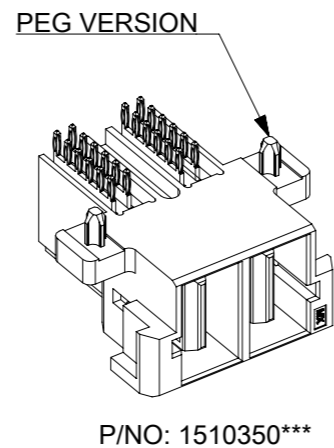
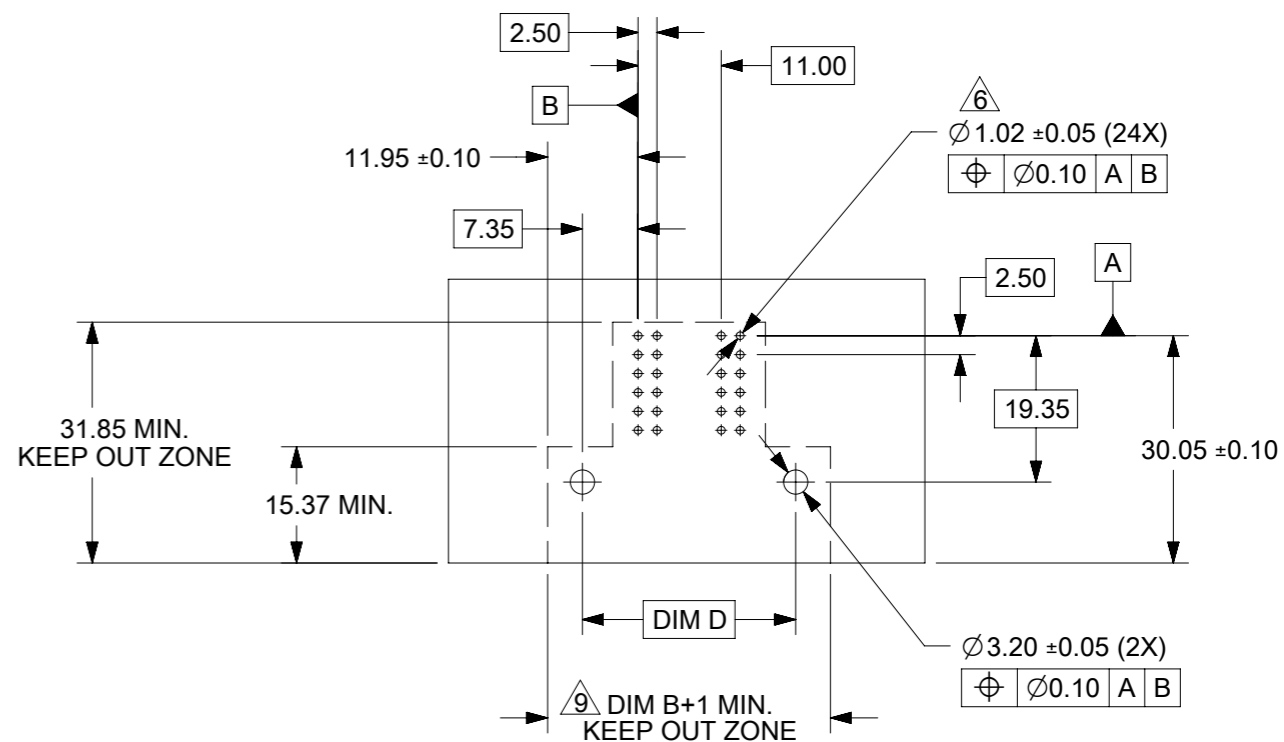
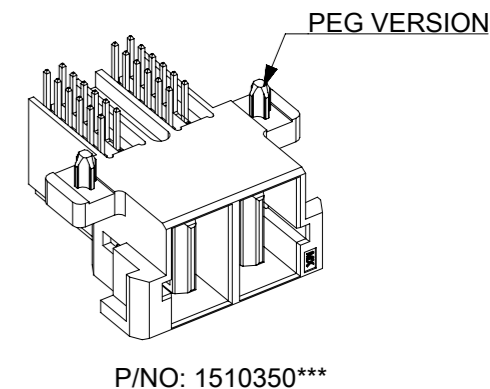
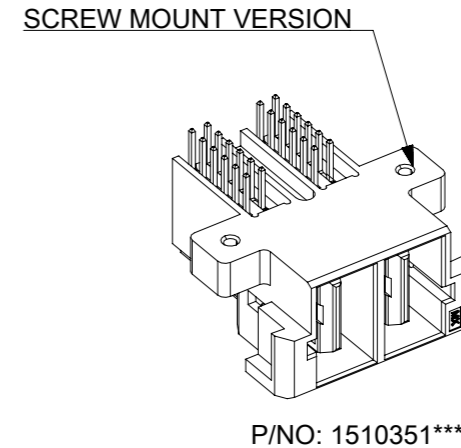


- NOTE:
- MATERIAL:
HOUSING: LCP, UL 94V-0, COLOR: BLACK
TERMINALS: COPPER ALLOY
 - PLATING:
30μ IN GOLD ON CONTACT AREA
100μ IN TIN IN THE PC TAIL AREA OVER
50μ IN NICKEL OVERALL UNDERPLATE
 - PRODUCT SPECIFICATION: PS-151053-0001
 - PARTS TO BE PACKED PER PACKAGING SPEC: PK-151035-0001
 - MATING WITH CRIMP: 46819, RECEPTACLE HOUSING SERIES 151034
 - PCB HOLES TO BE PLATED THRU HOLES.
 - CONTACTS ARE LUBRICATED.
 - RECOMMENED SCREW: 2-32 TYPE AB X 0.300" (FOR 1.60MM PCB)
2-32 TYPE AB X 0.375" (FOR 2.36 & 3.18MM PCB)
SCREWS ARE SOLD SEPERATELY.
 - KEEP-OUT ZONE DOES NOT TAKE FINGER SPACING INTO ACCOUNT.
PLEASE MAKE SURE TO LEAVE APPROPRIATE CLEARANCE BETWEEN
LATCHES AND ADJACENT PRODUCT FOR PROPER LATCH FUNCTION.

PRESS-FIT TAIL

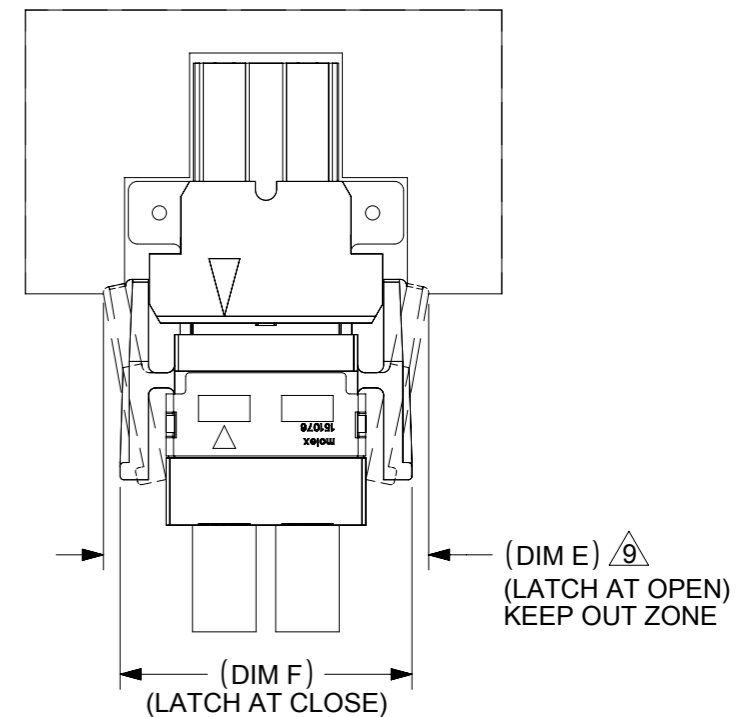
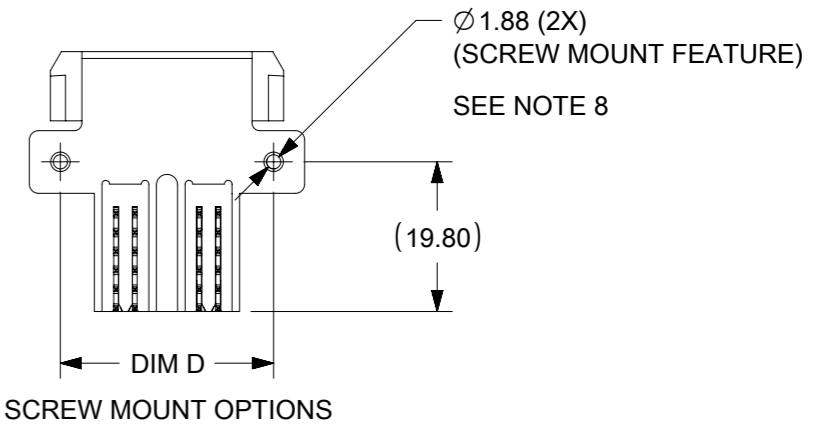
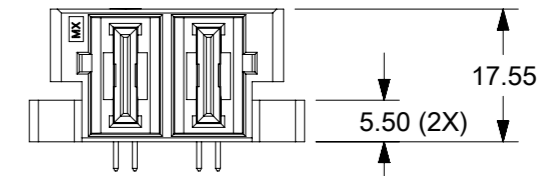


SOLDER TAIL



| | | | | | | | | | |
|-----------------------------------------------------------------------------------------------------------------------------------------------|--|--------------------------------|--|------------------------------------------------------------------------------------------------------------------------------------------------------------------------------------------------------------------------------------------------------------------------|--|-----------|--|-----------------|--|
| THIS DRAWING CONTAINS INFORMATION THAT IS PROPRIETARY TO MOLEX ELECTRONIC TECHNOLOGIES, LLC AND SHOULD NOT BE USED WITHOUT WRITTEN PERMISSION | | | | | | | | | |
| DIMENSION UNITS | | SCALE | | CURRENT REV DESC: ADDED PRESS-FIT VIEWS | | | | | |
| MM | | 1:1 | | <p>GUARDIAN II RA PLUG ASSEMBLY 2 - 6 CKTS</p> <p>PRODUCT CUSTOMER DRAWING</p> <p>DOCUMENT NUMBER: SD-151035-0001 DOC TYPE: PSD DOC PART: 001 REVISION: B1</p> <p>MATERIAL NUMBER: SEE TABLE CUSTOMER: GENERAL MARKET SHEET NUMBER: 1 OF 2</p> | | | | | |
| GENERAL TOLERANCES (UNLESS SPECIFIED) | | | | | | | | | |
| ANGULAR TOL ± 3.0° | | | | | | | | | |
| 4 PLACES ± | | EC NO: 697890 | | | | | | | |
| 3 PLACES ± | | DRWN: HARSHG 2022/02/28 | | | | | | | |
| 2 PLACES ± 0.25 | | CHK'D: GJEEVANSURES 2022/03/04 | | | | | | | |
| 1 PLACE ± 0.25 | | APPR: HTHYAGARAJ 2022/03/14 | | | | | | | |
| 0 PLACES ± | | INITIAL REVISION: | | | | | | | |
| DRAFT WHERE APPLICABLE MUST REMAIN WITHIN DIMENSIONS | | THIRD ANGLE PROJECTION | | DRAWING | | SERIES | | MATERIAL NUMBER | |
| | | A3-SIZE | | 151035 | | SEE TABLE | | GENERAL MARKET | |

| CKT SIZE | PART NO. | DIM A PC TAIL | PC BOARD THICKNESS | PC TAIL TYPE | GUIDE OPTION | DIM B | DIM C | DIM D | DIM E | DIM F |
|------------|------------|------------------|-----------------------|-----------------|-----------------|-------|-------|-------|-------|-------|
| 2 CKT | 1510350002 | 3.86±0.30 | 2.36 | SOLDER TAIL | PEG | 36.40 | 30.84 | 28.20 | 43.20 | 38.60 |
| | 1510350012 | 4.69±0.30 | 3.18 | | | | | | | |
| | 1510350022 | 3.28±0.30 | 1.60 | COMPLIANT PIN | | | | | | |
| | 1510351002 | 3.86±0.30 | 2.36 | SOLDER TAIL | SCREW MOUNT | | | | | |
| | 1510351012 | 4.69±0.30 | 3.18 | | | | | | | |
| 1510351022 | 3.28±0.30 | 1.60 | COMPLIANT PIN | | | | | | | |
| 3 CKT | 1510350003 | 3.86±0.30 | 2.36 | SOLDER TAIL | PEG | 47.40 | 41.84 | 39.20 | 54.20 | 49.60 |
| | 1510350013 | 4.69±0.30 | 3.18 | | | | | | | |
| | 1510350023 | 3.28±0.30 | 1.60 | COMPLIANT PIN | | | | | | |
| | 1510351003 | 3.86±0.30 | 2.36 | SOLDER TAIL | SCREW MOUNT | | | | | |
| | 1510351013 | 4.69±0.30 | 3.18 | | | | | | | |
| 1510351023 | 3.28±0.30 | 1.60 | COMPLIANT PIN | | | | | | | |
| 4 CKT | 1510350004 | 3.86±0.30 | 2.36 | SOLDER TAIL | PEG | 58.40 | 52.84 | 50.20 | 65.20 | 60.60 |
| | 1510350014 | 4.69±0.30 | 3.18 | | | | | | | |
| | 1510350024 | 3.28±0.30 | 1.60 | COMPLIANT PIN | | | | | | |
| | 1510351004 | 3.86±0.30 | 2.36 | SOLDER TAIL | SCREW MOUNT | | | | | |
| | 1510351014 | 4.69±0.30 | 3.18 | | | | | | | |
| 1510351024 | 3.28±0.30 | 1.60 | COMPLIANT PIN | | | | | | | |
| 5 CKT | 1510350005 | 3.86±0.30 | 2.36 | SOLDER TAIL | PEG | 69.40 | 63.84 | 61.20 | 76.20 | 71.60 |
| | 1510350015 | 4.69±0.30 | 3.18 | | | | | | | |
| | 1510350025 | 3.28±0.30 | 1.60 | COMPLIANT PIN | | | | | | |
| | 1510351005 | 3.86±0.30 | 2.36 | SOLDER TAIL | SCREW MOUNT | | | | | |
| | 1510351015 | 4.69±0.30 | 3.18 | | | | | | | |
| 1510351025 | 3.28±0.30 | 1.60 | COMPLIANT PIN | | | | | | | |
| 6 CKT | 1510350006 | 3.86±0.30 | 2.36 | SOLDER TAIL | PEG | 80.40 | 74.84 | 72.20 | 87.20 | 82.60 |
| | 1510350016 | 4.69±0.30 | 3.18 | | | | | | | |
| | 1510350026 | 3.28±0.30 | 1.60 | COMPLIANT PIN | | | | | | |
| | 1510351006 | 3.86±0.30 | 2.36 | SOLDER TAIL | SCREW MOUNT | | | | | |
| | 1510351016 | 4.69±0.30 | 3.18 | | | | | | | |
| 1510351026 | 3.28±0.30 | 1.60 | COMPLIANT PIN | | | | | | | |



CONNECTOR ASSEMBLY WITH RECEPTACLE CABLE.

| | | | | | | | | | |
|-----------------------------------------------------------------------------------------------------------------------------------------------|--|------------------------------------------------------------|--|-----------------------------------------|--|----------------|--|--------------------------------------------|--|
| THIS DRAWING CONTAINS INFORMATION THAT IS PROPRIETARY TO MOLEX ELECTRONIC TECHNOLOGIES, LLC AND SHOULD NOT BE USED WITHOUT WRITTEN PERMISSION | | | | | | | | | |
| DIMENSION UNITS MM | | SCALE 1:1 | | CURRENT REV DESC: ADDED PRESS-FIT VIEWS | | | | | |
| GENERAL TOLERANCES (UNLESS SPECIFIED) | | | | | | | | | |
| ANGULAR TOL ± 3.0 ° | | | | | | | | | |
| 4 PLACES ± | | EC NO: 697890 | | DRWN: HARSHG | | 2022/02/28 | | GUARDIAN II RA PLUG ASSEMBLY 2 - 6 CKTS | |
| 3 PLACES ± | | CHK'D: GJEEVANSURES | | APPR: HTHYAGARAJ | | 2022/03/04 | | PRODUCT CUSTOMER DRAWING | |
| 2 PLACES ± 0.25 | | INITIAL REVISION: | | DRWN: CGOH | | 2014/04/23 | | DOCUMENT NUMBER | |
| 1 PLACE ± 0.25 | | DRWN: KHLIM | | APPR: KHLIM | | 2014/10/22 | | SD-151035-0001 | |
| 0 PLACES ± | | DRAFT WHERE APPLICABLE MUST REMAIN WITHIN DIMENSIONS | | THIRD ANGLE PROJECTION | | DRAWING | | SERIES | |
| | | | | A3-SIZE | | 151035 | | MATERIAL NUMBER | |
| | | | | SEE TABLE | | GENERAL MARKET | | CUSTOMER | |
| | | | | | | | | SHEET NUMBER | |
| | | | | | | | | 2 OF 2 | |