

**NOTES:**

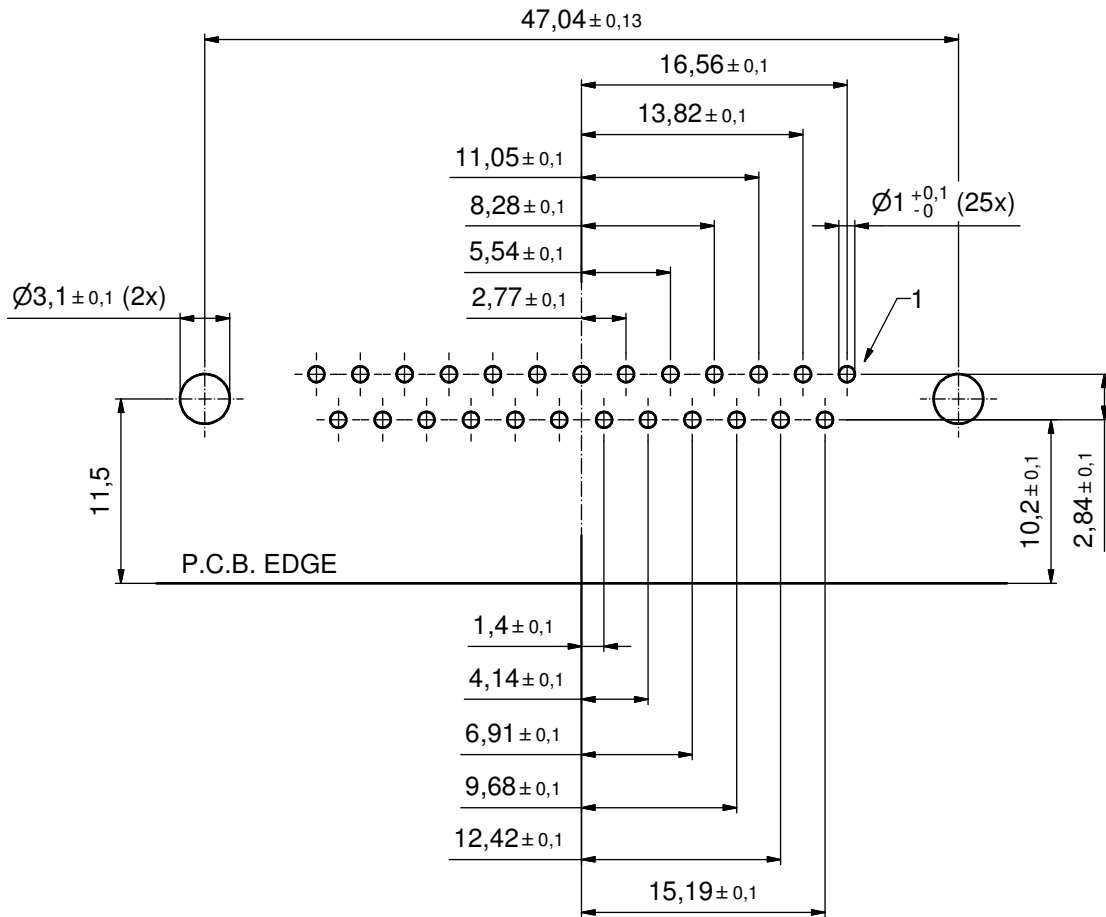
1. METALSHELLS: STEEL; min. 315µm TIN over 40-80µm NICKEL
2. INSULATORS: PBT GF UL 94 V-0; BLACK
3. CONTACTS: COPPER ALLOY; PLATING (SEE PART NO):
  - PLEASE ADD A for GOLD FLASH over NICKEL (PREFERRED TYPE)
  - PLEASE ADD B for 20µm HARD GOLD over min. 50µm NICKEL
  - PLEASE ADD C for 30µm HARD GOLD over min. 50µm NICKEL
4. MOUNTING BRACKET: PBT GF UL 94 V-0; BLACK
5. THREADED LOCKS: COPPER ALLOY; min. 200µm TIN over 80µm NICKEL
6. GROUNDING CLIPS: COPPER ALLOY; min. 200µm TIN over 80µm NICKEL  
PCB-HOLE: Ø3.1±0.1; PCB THICKNESS 1.6mm
7. P.C.B. HOLE DRILLINGS ON SHEET 2
8. MAXIMUM TORQUE VALUE FOR THREAD: 6 in.LB
9. CONNECTOR IS PART MARKED: **164□13109X CONEC ABC** (see note 3)


Directive 2002/95/EC RoHS compliant

THIS DRAWING MAY NOT BE COPIED OR REPRODUCED IN ANY WAY, AND MAY NOT BE PASSED ON TO A THIRD PARTY WITHOUT WRITTEN PERMISSION. OWNERSHIP AND COPYRIGHT OF CONEC GmbH DO NOT ALTER CAD DRAWING BY HAND				tolerance		dim. in mm	scale: 2:1 (5:1)	
				date			material: SEE NOTES	
		name		title: D-SUB FEMALE 90°				
		drawn 11.07.14 Henneboel		25pos. SOLDER PIN ANGLED 0.370inch				
		appd. 18.07.14 Lehmenkühler		threaded lock, mounting bracket, grounding clip				
		norm		dwg no:				
		d-old 16K11GLA/16K1A1148		DIN-A3				
4 x b		A5273 11.07.2014 K.H.						
a		Original		(b) 16K1A3482				
rev.		description date name		part no: (b) 164□13109X (see note 3)				
				sh: 1/2				

# P.C.B. HOLE DRILLINGS

(P.C.B. TOP SIDE)



THIS DRAWING MAY NOT BE COPIED OR REPRODUCED IN ANY WAY, AND MAY NOT BE PASSED ON TO A THIRD PARTY WITHOUT WRITTEN PERMISSION. OWNERSHIP AND COPYRIGHT OF CONEC GmbH DO NOT ALTER CAD DRAWING BY HAND					tolerance		scale: 3:1	
					dim. in mm		material: SEE SHEET 1	
					date	name	title: <b>P.C.B. HOLE DRILLINGS</b> D-SUB FEMALE 90° 25pos. threaded lock, mounting bracket, grounding clip	
					drawn 11.07.14	Henneboel		
					appd. 18.07.14	Lehmenkühler		
					norm			
					d-old		dwg no:	
	a	Original			<b>CONEC</b> ®		16K1A3482	DIN-A3
	rev.	description	date	name			part no: SEE SHEET 1	sh: 2/2