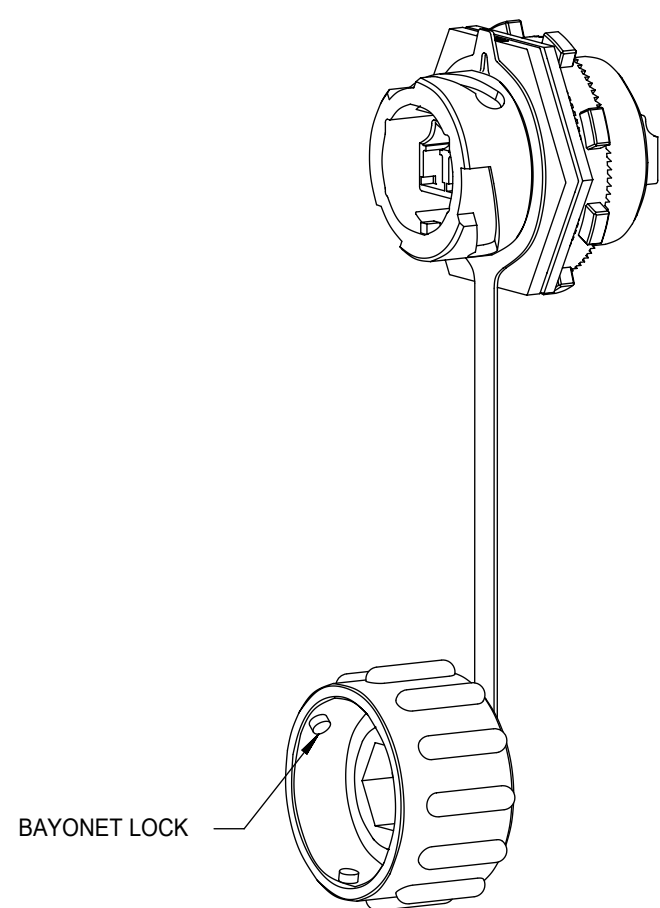
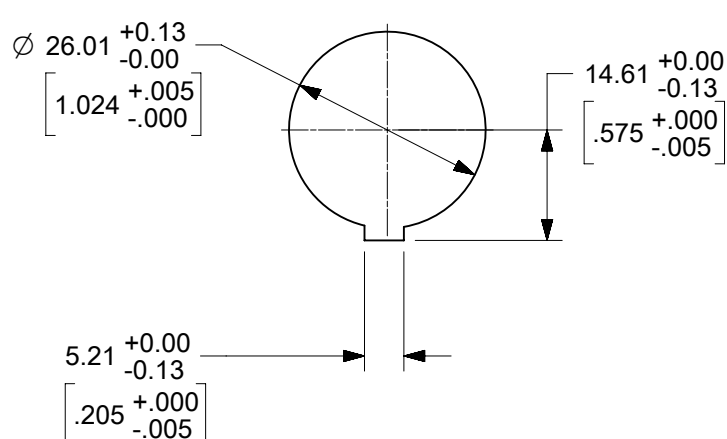


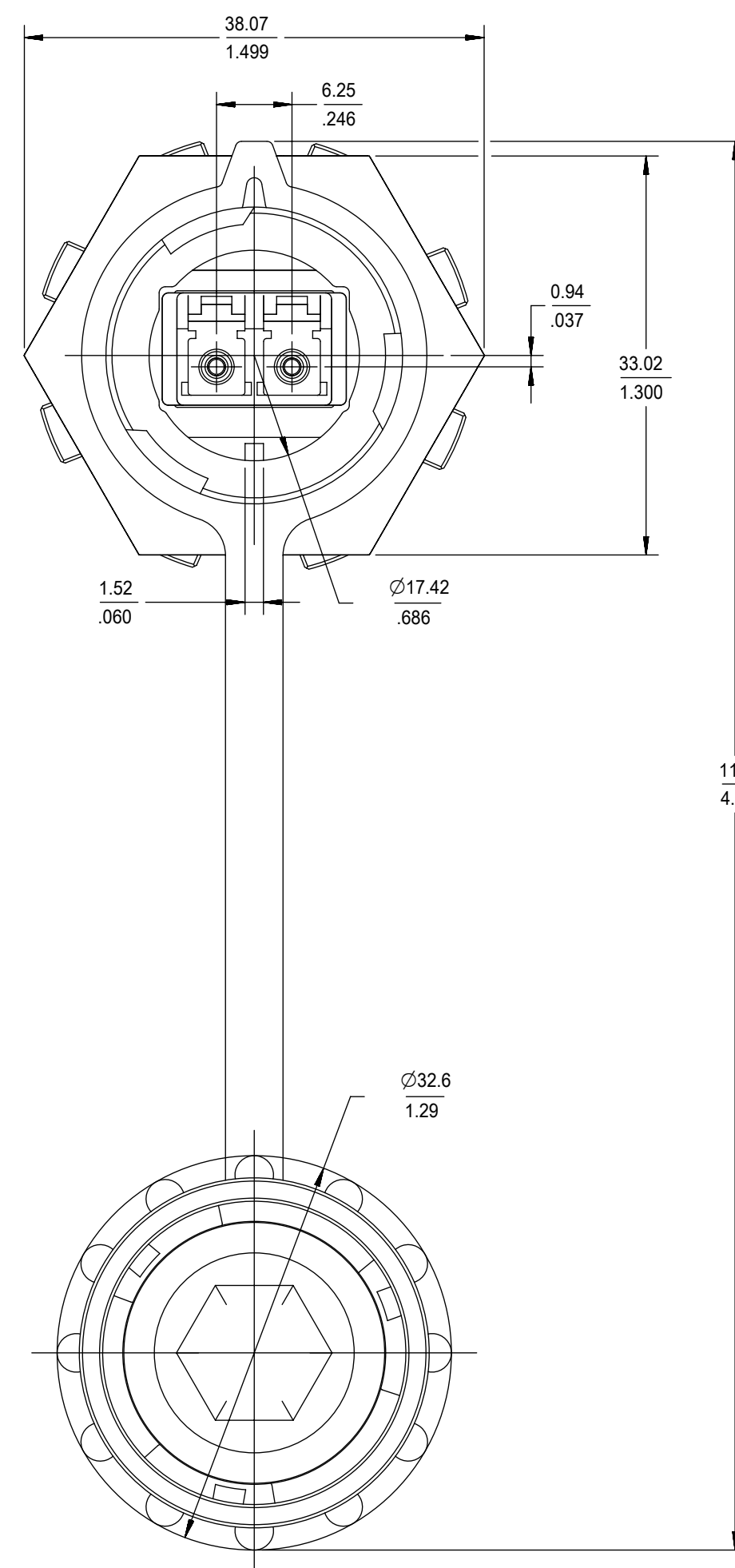
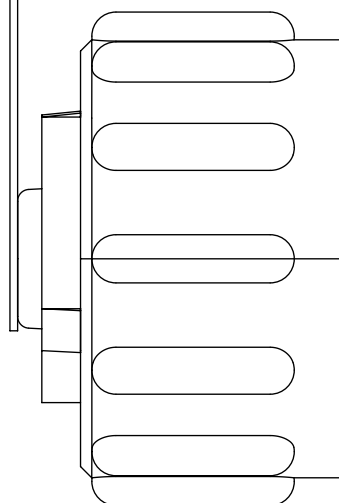
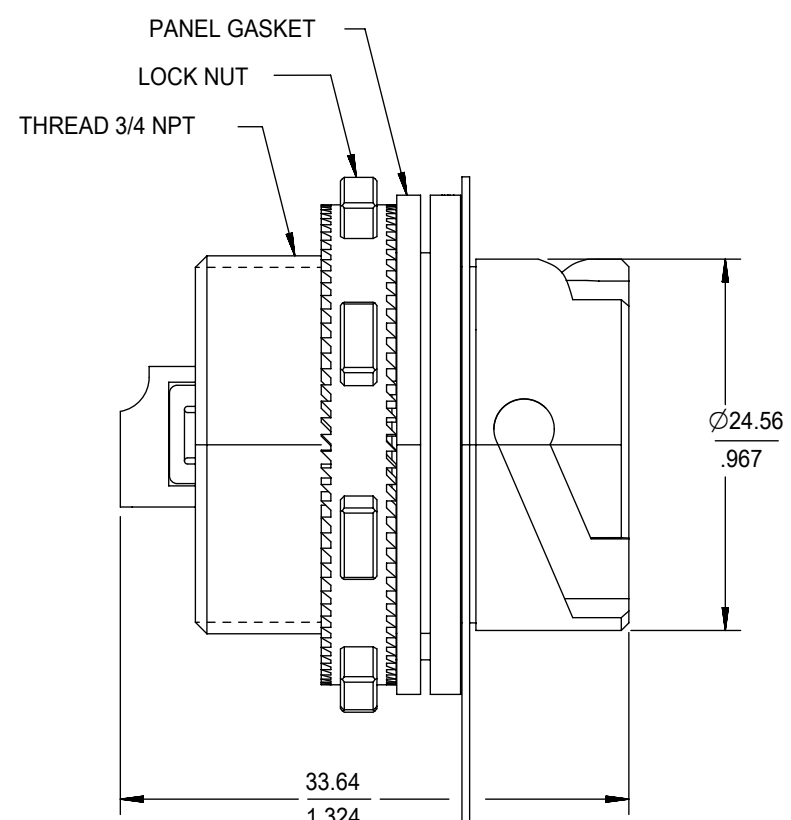
ADAPTER P/N	VERSION	CABLE TYPE
1060597250	WITH LOGO	MULTIMODE
1060597450	WITHOUT LOGO	MULTIMODE
1060597650	WITH LOGO	SINGLE MODE
1060597850	WITHOUT LOGO	SINGLE MODE



ISOMETRIC VIEW
SCALE 1:1



RECOMMENDED PANEL THICKNESS: .060"(1.5MM) - .312"(7.9MM)
RECOMMENDED MOUNTING CUTOUT
SCALE 1:1



NOTE:

1. ALL DIMENSIONS ARE FOR REFERENCE ONLY.

2. ADAPTER ASSEMBLY AND ITS COMPONENTS ARE COMPLIANT WITH EU DIRECTIVE 2002/95/EC ON THE RESTRICTION OF THE USE OF HAZARDOUS SUBSTANCES IN ELECTRICAL AND ELECTRONIC EQUIPMENT (RoHS)

SYMBOLS		THIS DRAWING CONTAINS INFORMATION THAT IS PROPRIETARY TO MOLEX ELECTRONIC TECHNOLOGIES, LLC AND SHOULD NOT BE USED WITHOUT WRITTEN PERMISSION	
DIMENSION UNITS	SCALE	CURRENT REV DESC:	
$\nabla = 0$	HYBRID	1:1	EC NO: 609756 DRWN: RLOW 2018/12/28 CHK'D: GGENCHANOK 2019/01/15 APPR: GGENCHANOK 2019/01/15
$\nabla = 0$	GENERAL TOLERANCES (UNLESS SPECIFIED)		
$\nabla = 0$	ANGULAR TOL	$\pm 0.5^\circ$	INITIAL REVISION: DRWN: LSADAUSKIENE 2007/11/15 APPR: BANDREI 2007/11/15
$\nabla = 0$	4 PLACES	\pm	
$\nabla = 0$	3 PLACES	\pm	THIRD ANGLE PROJECTION DRAWING SERIES C-SIZE 106059
$\nabla = 0$	2 PLACES	\pm	
$\nabla = 0$	1 PLACE	\pm	MATERIAL NUMBER CUSTOMER GENERAL MARKET
$\nabla = 0$	0 PLACES	\pm	
$\nabla = 0$	DRAFT WHERE APPLICABLE MUST REMAIN WITHIN DIMENSIONS		SHEET NUMBER 1 OF 1

molex

ADAPTER ASSEMBLY, METAL
BODY INDUSTRIAL LC W/PLASTIC DUST COVER

PRODUCT CUSTOMER DRAWING

DOCUMENT NUMBER	DOC TYPE	DOC PART	REVISION
SD-106059-7X50	PSD	001	D

DOCUMENT STATUS	P1	RELEASE DATE	2019/01/15 22:15:02
12	11	10	9