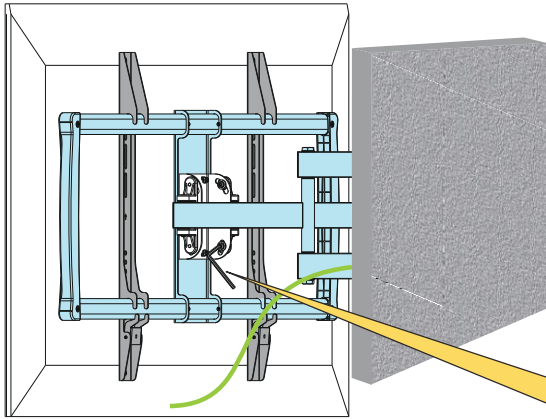
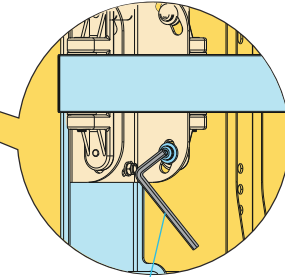


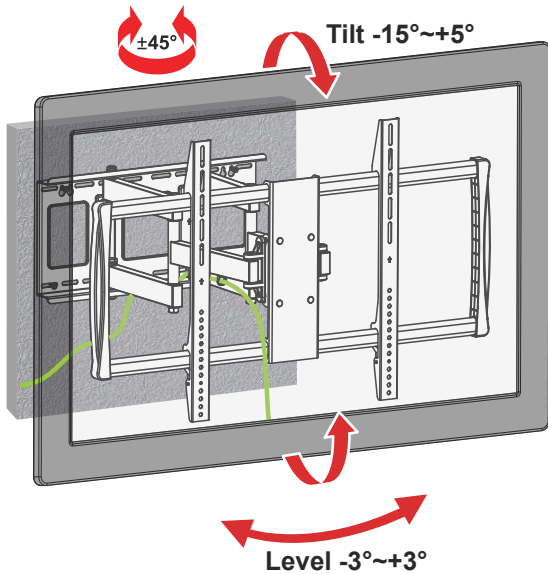
6 Adjustments



In order to make tilting adjustments by hand, first please check the tightness of the screws at the head of the mount and adjust them using the Allen key as follows. If the screws are too tight or too loose, it will prevent the TV from being adjusted by hand. For example, a light weight TV with overly tight screws will need to be loosen slightly, or a heavy TV with loose screws need to be tighten.



E Allen Key



Adjust to the desired position by tilting $-15^{\circ}\sim+5^{\circ}$, swiveling: $-45^{\circ}\sim+45^{\circ}$ at pivot points, and by leveling $-3^{\circ}\sim+3^{\circ}$.

Maintenance

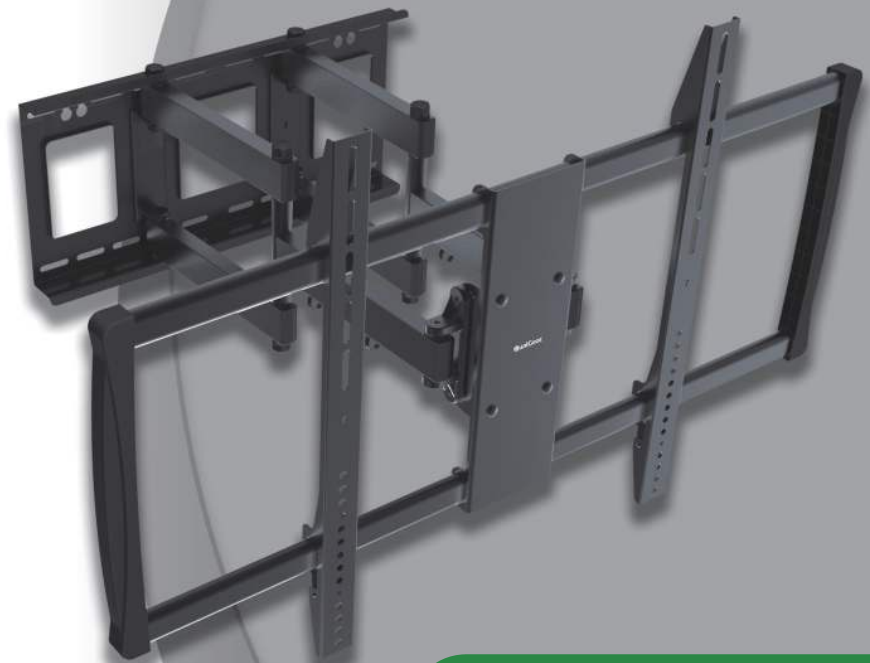
Please check that the wall mount is secure and safe to use at regular intervals. If you have any questions regarding any of the instructions or warnings, please contact your local distributor (OR) contact QualGear technical support via email at support@qualgear.com.

QualGear®

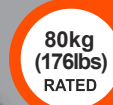
INSTALLATION MANUAL

QG-TM-092-BLK

HEAVY DUTY FULL MOTION TV WALL MOUNT



For Most 60" to 100" Flat Panel and Curved TVs



CAUTION!
Do not exceed the maximum rated weight specified. Otherwise, serious injury or property damage may occur.



VESA
200x200 | 300x300 | 400x200 | 400x400
600x400 | 800x400 | 800x600 | 900x600



www.qualgear.com

■ 1 Year Limited Warranty

■ Version March 2016

NOTE Please read the entire installation manual before you start installation and assembly.

WARNING

- Do not begin to install your QualGear product until you have read and understood all the instructions and warnings contained in this installation manual. If you have any questions regarding the instructions, for US customers please contact QualGear customer support via email at support@qualgear.com. For all international customers, please contact your local distributor.
- This product should only be installed by someone of good mechanical aptitude, has experience with basic building construction, and fully understands these instructions.
- This product was designed to be installed and utilized only as specified in this manual. Improper installation of this product may cause damage or serious injury. QualGear is not liable for the improper use or installation of its products.
- Make sure that the supporting surface will safely support the combined load of the equipment and all attached hardware and components.
- Always use an assistant or mechanical lifting equipment to safely lift and position the equipment.
- This product was designed to be installed on the following wall construction only:

WALL CONSTRUCTION

Wooden Stud
Wooden Beam
Solid Concrete
Other

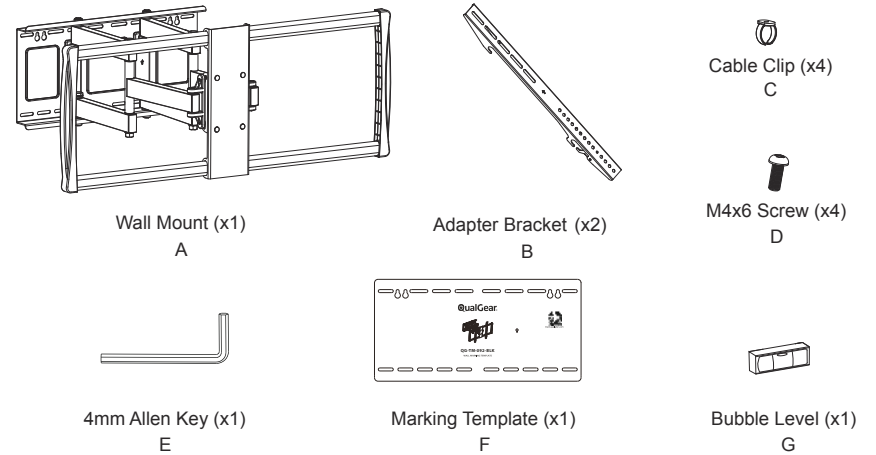
HARDWARE REQUIRED

Included
Included
Included
Contact Qualified Professional

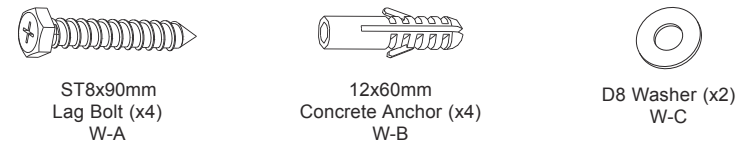
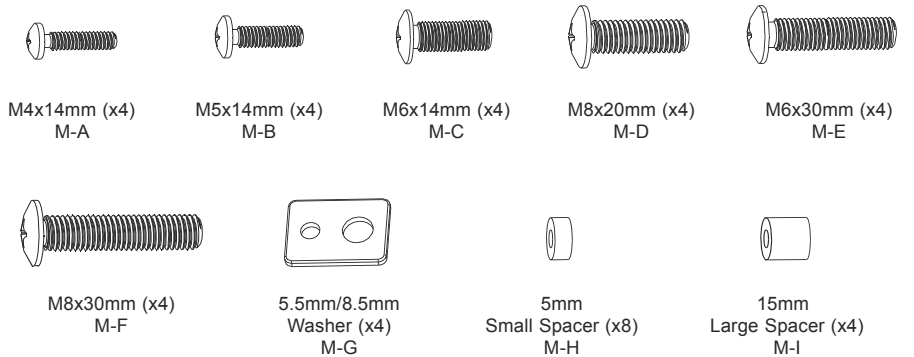
- Tighten screws firmly, but do not over tighten. Over tightening can damage the items, greatly reducing their holding power.
- ALL QUALGEAR products are intended for indoor use only and any outdoor use voids the limited warranty.
- ALL QUALGEAR products are designed and tested for residential use only and any commercial use voids the limited warranty. For warranty information, please visit <http://www.qualgear.com/warranty.php>.
- If mounting to wooden studs, make sure that mounting screws are anchored into the center of the studs. Use of an edge-to-edge stud finder is highly recommended.
- Never exceed the maximum rated weight specified in this manual.
- All bolts and screws must be used at the designated points in the installation instructions to prevent property damage and/or personal injury.
- DO NOT install near air conditioner vents or where there is excessive dust or smoke.
- When drilling holes in the wall, it is very important to take care of electrical cables, water, or gas pipes in the wall.

Parts Checklist

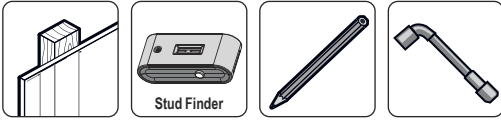
IMPORTANT: Before starting installation, please check that all parts shown in this checklist are included. If any parts are missing or damaged, contact your local distributor or support@qualgear.com for replacement parts and do not start assembly and installation until you receive all the parts.



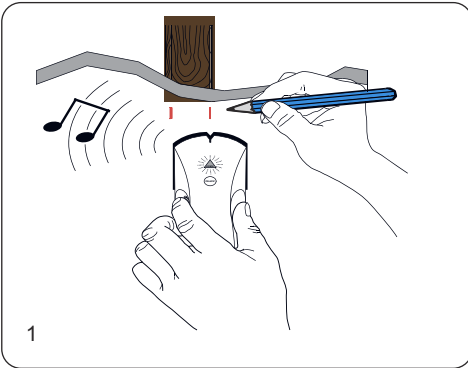
Hardware Package



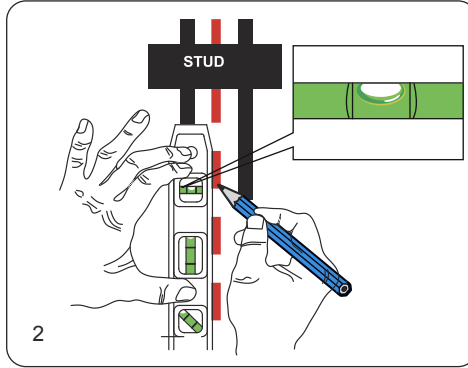
1a Mounting to a Wooden Stud Wall



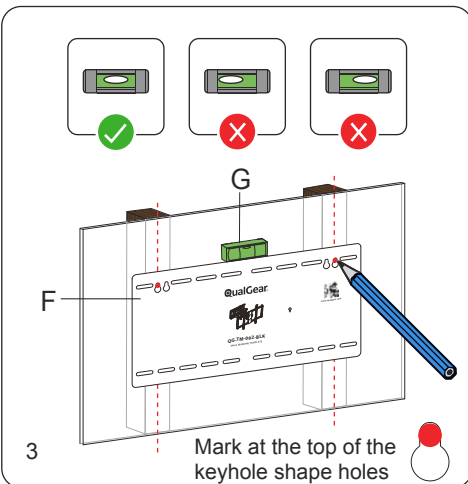
NOTE For concrete wall mounting, follow Step 1b.



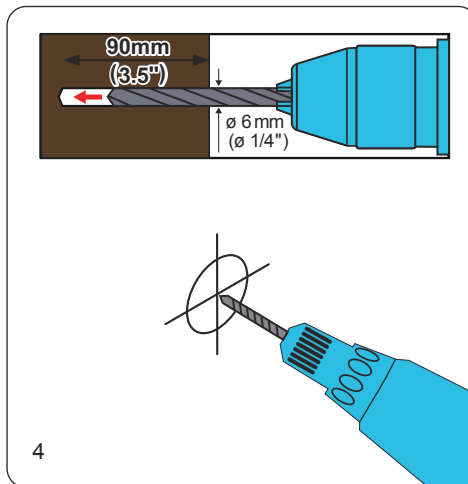
1 Using an edge-to-edge stud finder, find the edges of the stud.



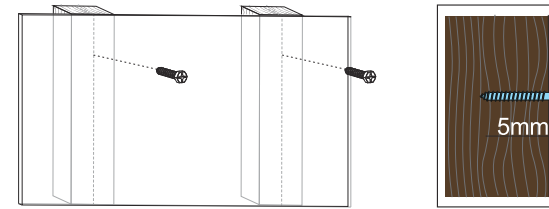
2 Using a level, mark the centerline of the stud.



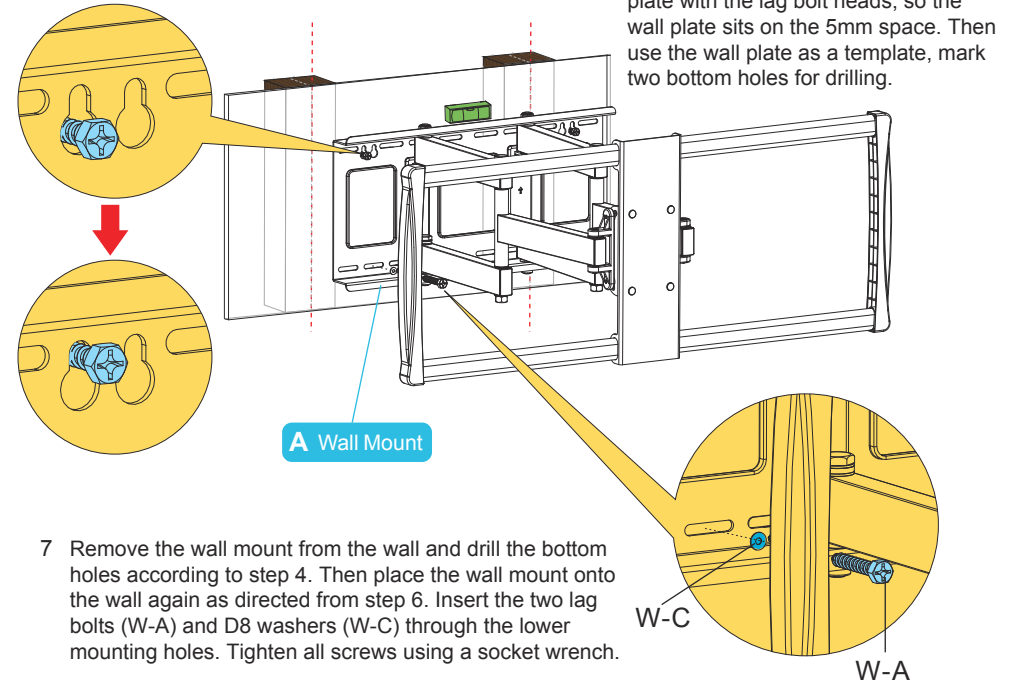
3 Mark at the top of the keyhole shape holes. Using the marking template (F) provided, mark two holes for drilling on the centerline of the stud.



4 Using a power drill and 1/4" drill bit, drill pilot holes of 1/4" (6 mm) diameter and at least 3.5" (90 mm) depth.



5 Insert two lag bolts (W-A) at the top drilled holes and tighten with a socket wrench, leaving a 5mm space from the wall.



6 Lift the wall mount and place against the wall, align the keyholes of the wall plate with the lag bolt heads, so the wall plate sits on the 5mm space. Then use the wall plate as a template, mark two bottom holes for drilling.

7 Remove the wall mount from the wall and drill the bottom holes according to step 4. Then place the wall mount onto the wall again as directed from step 6. Insert the two lag bolts (W-A) and D8 washers (W-C) through the lower mounting holes. Tighten all screws using a socket wrench.

NOTE Do NOT use power drill and do NOT over tighten the lag bolts.

WARNING

- Make sure that mounting screws are anchored into the center of the studs. The use of a stud finder is highly recommended.
- Installers are responsible to provide hardware for other types of mounting situations.
- Installers must verify that the supporting surface will safely support the combined weight of the equipment and all attached hardware and components.

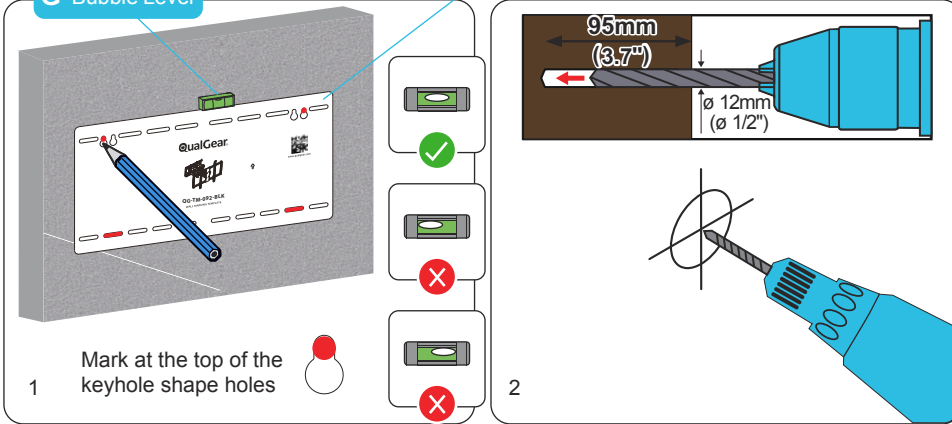
SKIP TO STEP 2 →

1b Mounting to a Concrete Wall



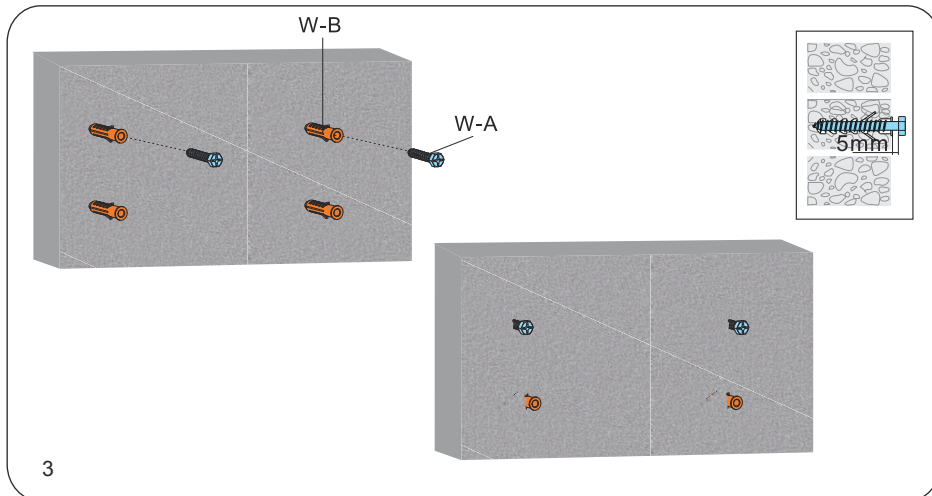
F Marking Template

G Bubble Level



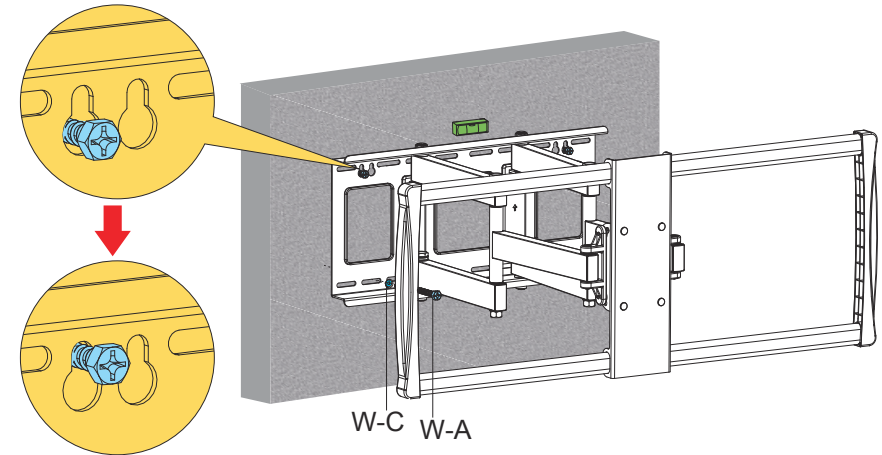
Hold the marking template (F) provided against the wall where you want to install the TV, mark four holes for drilling.

Using a power drill and a 1/2" masonry drill bit, drill mounting holes of 1/2" (12 mm) diameter and 3.7" (95 mm) depth at the marked locations in the previous step.



Place concrete anchors (W-B) in each hole. Tap each anchor flush with the wall using a hammer. Insert and tighten the top two lag bolts leaving a 5mm space from the wall.

NOTE Do NOT use power drill and do NOT over tighten the top two lag bolts.

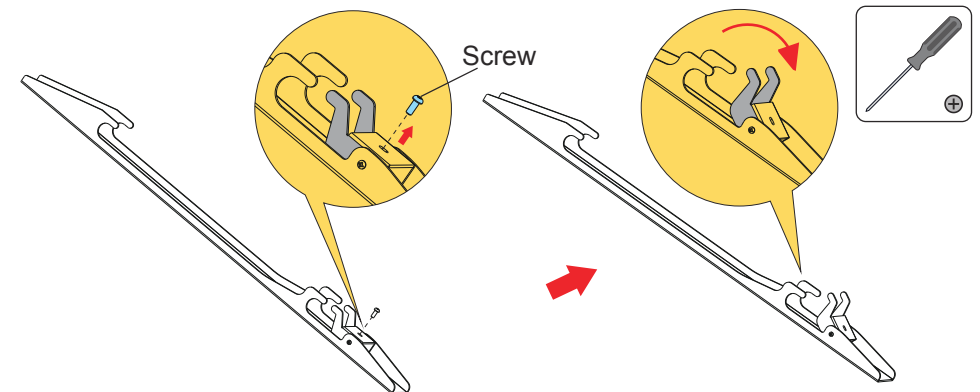


4 Align the top holes on the wall mount with the bolt heads on the wall, then lower the wall plate gently so the bolt heads is supporting the wall mount. Then install both lag bolts (W-A) and D8 washers (W-C) through the lower mounting holes and into the concrete anchors to secure the wall mount.

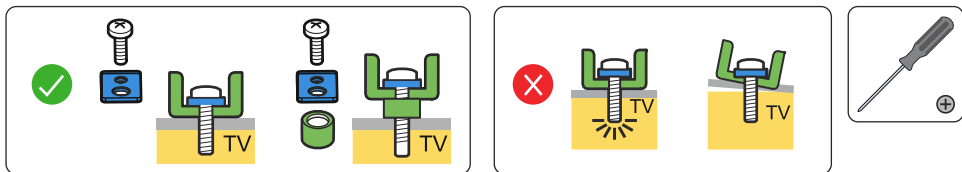
! WARNING

- Installers must verify that the supporting surface will safely support the combined weight of the equipment and all attached hardware and components.

2 Removing the Screws from the Adapter Brackets



3a Installing to a Flat Back Panel of a TV



Flat Back Panel

B Adapter Bracket

Top Backside of the TV

5.5mm

8.5mm

M-A / M-B
M-G

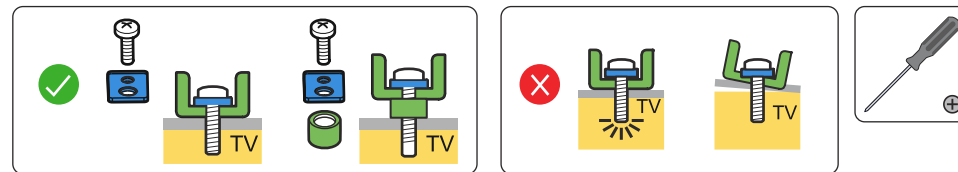
M-C / M-D
M-G

OR

IMPORTANT!
Tighten all screws but do NOT over tighten

Choose the appropriate screws and washers according to the type of your TV, and attach adapter brackets (B) to the back of the TV using a Phillips screwdriver.

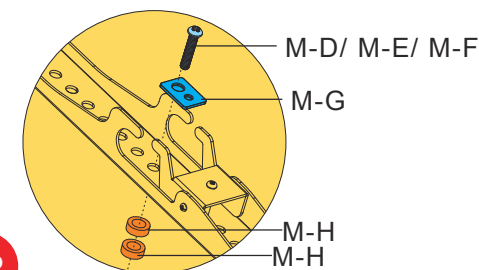
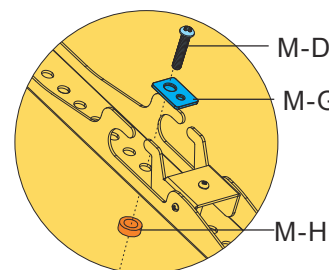
3b Installing to a Curved or Recessed Back Panel of a TV



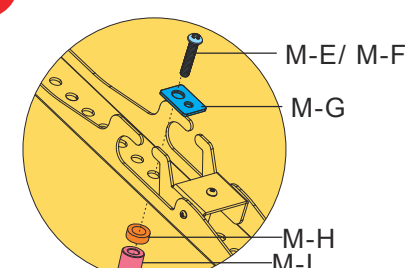
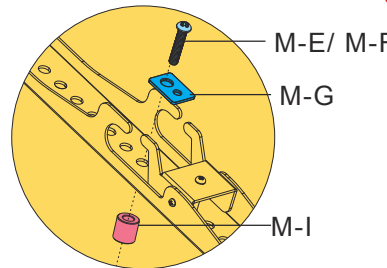
Curved Back Panel

B Adapter Bracket

Top Backside of the TV

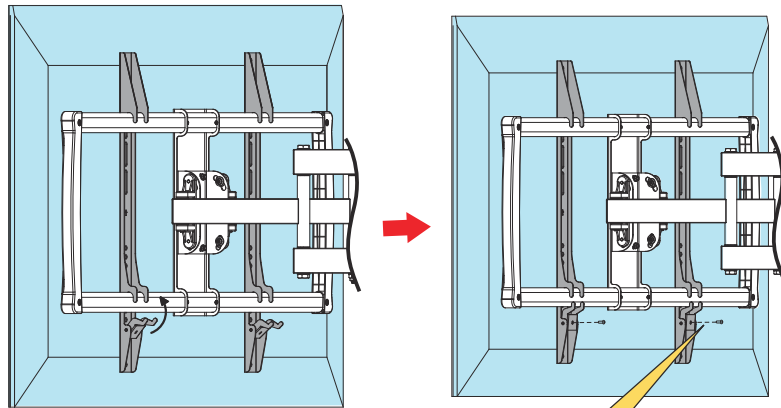
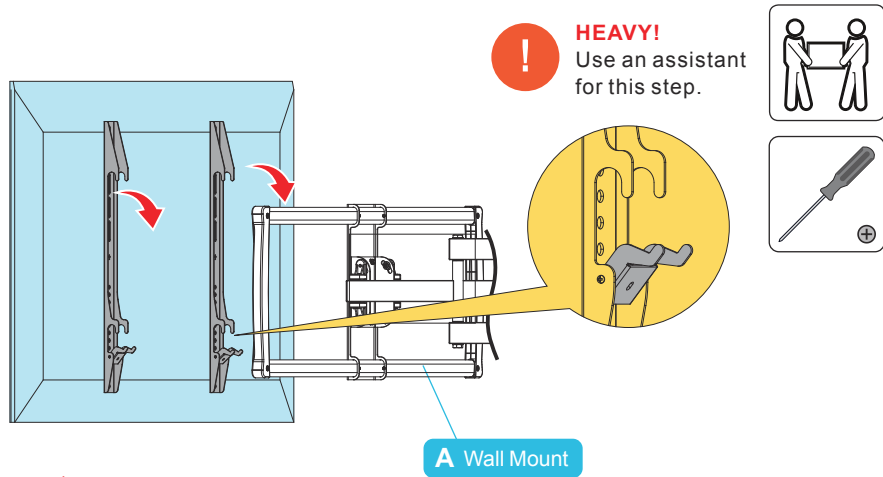


OR

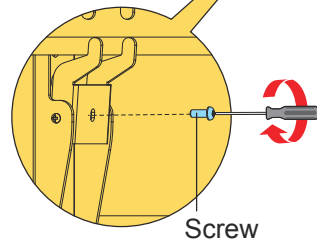


Choose appropriate screws, washers, and spacers (if necessary) according to the type of your TV, attach the adapter brackets (B) to the back of the TV, then tighten screws using a Phillips screwdriver.

4 Hanging the TV onto the Wall Mount



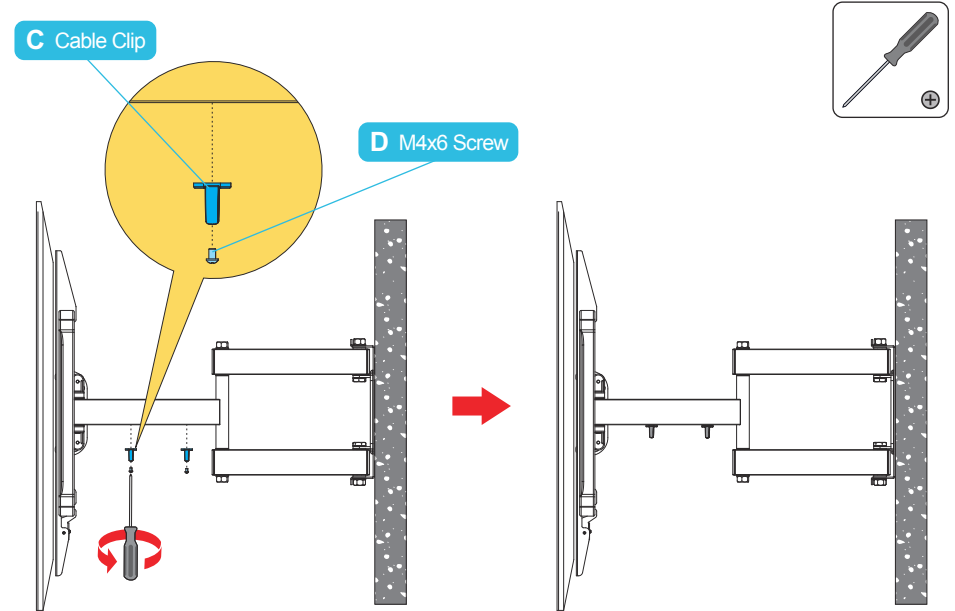
Hang the TV onto the wall mount. Close the latches and then use the screws that were previously removed from step 2 to fasten the latches.



! IMPORTANT!
Tighten all screws but do NOT over tighten

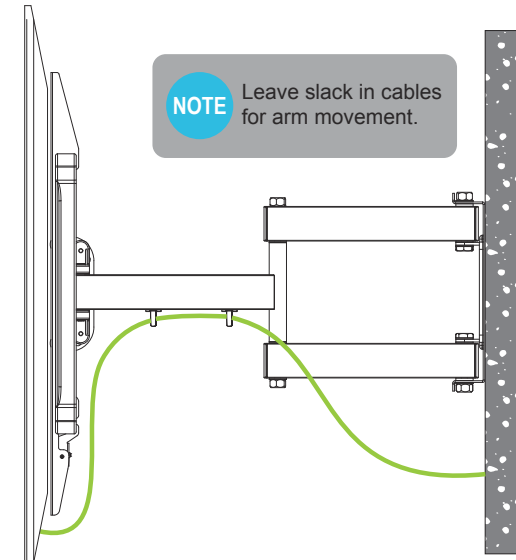
NOTE Hold TV securely until all screws are firmly installed before releasing the TV.

5 Cable Management



Attach the cable clips to the arm using the appropriate screws. Tighten all screws using a proper Phillips screwdriver.

NOTE Leave slack in cables for arm movement.



Run the cables through the cable clips.