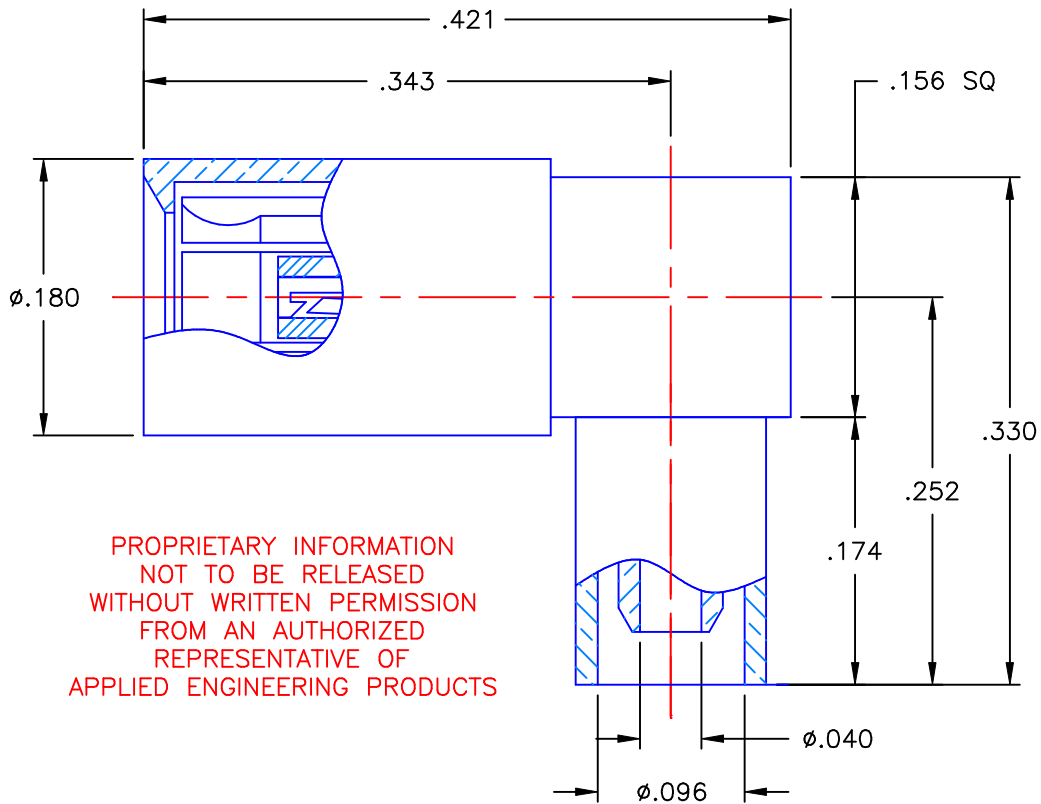


REVISIONS			
REV	DESCRIPTION	DATE	APPROVED
A	ECO #6997	01/28/08	D.N.





NOTES:

MATERIALS:

1. INTERFACE BODY & CONTACT = BERYLLIUM COPPER PER ASTM B196, ALLOY C17300, TEMPER TD04.
2. INSULATORS = VIRGIN WHITE TEFLON PER ASTM D1710, GRADE 1, TYPE I, CLASS "B".
3. CRIMP SLEEVE = SEAMLESS LOWLEAD BRASS TUBE, ALLOY 330, SOFT ANNEAL TEMPER, .025/.060 GRAIN SIZE OR SEAMLESS COPPER TUBE PER ASTM B75, TYPE C12000, TEMPER: LIGHT ANNEAL O50 EXCEPT YIELD STRENGTH.
4. SHRINK TUBE = RNF100 YELLOW (NOT SHOWN).
5. ALL OTHER METAL PARTS = BRASS PER ASTM B16, ALLOY C36000, TEMPER H02.

FINISHES:

1. CONTACT = GOLD PLATE PER MIL-G-45204, TYPE II, CLASS 1, GRADE C, OVER .00010 TO .00020 STRESS FREE SULFAMATE NICKEL PER QQ-N-290.
2. ALL OTHER METAL PARTS = GOLD PLATE PER MIL-G-45204, TYPE II, CLASS 0, GRADE C, OVER .00010 TO .00020 COPPER STRIKE PER MIL-C-14550.

UNLESS OTHERWISE SPECIFIED DIMENSIONS ARE IN INCHES TOLERANCES ON	DWN: DATE	 <b>APPLIED ENGINEERING PRODUCTS</b> 104 John W. Murphy Dr. New Haven, CT 06513	SSMB RIGHT ANGLE FEMALE PLUG CRIMP TYPE FOR RG-178DS & SIMILAR CABLES	
	D.N. 01/28/08			
	CHKD: DATE			
DECIMAL	ANGLE	A.D.M. 01/28/08	SIZE FSCM NO. DWG NO. REV A 19505 7405-1521-005 A	
		APVD: DATE		
		J.M. 01/28/08	SCALE 8:1	
REFERENCE:	MATERIALS & FINISHES:	SEE NOTES		THIRD ANGLE PROJECTION 
ORIGINATOR: K.MILLER DATE: 11/11/87				SHEET 1 OF 1

7405-1521-005